

## Excellent Integrated System Limited

Stocking Distributor

Click to view price, real time Inventory, Delivery & Lifecycle Information:

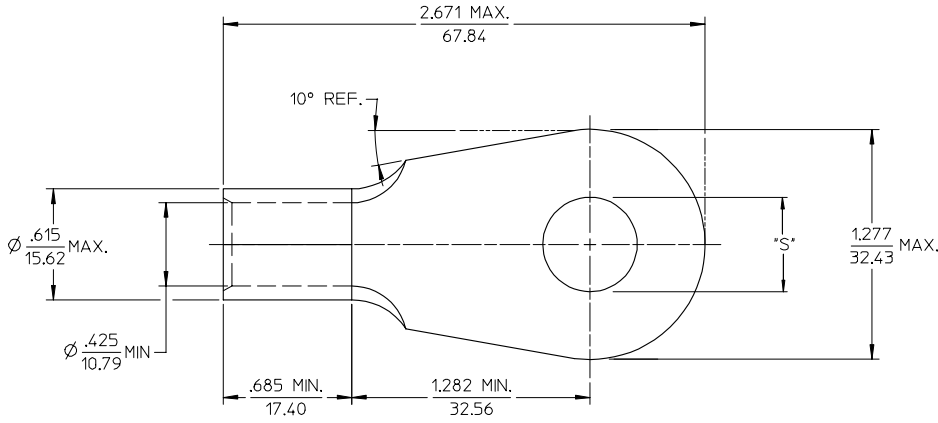
[Molex Connector Corporation](#)

[0191930337](#)

For any questions, you can email us directly:

[sales@integrated-circuit.com](mailto:sales@integrated-circuit.com)

10	9	8	7	6	5	4	3	2	19193	
MATERIAL NO.	ENG. NO.	STUD SIZE	±.003 *S*	STOCK THICKNESS						
191930338	H-382-38	3/8	.390	.075 (1.90)						
191930336	H-382-12	1/2	.515							
191930339	H-382-58	5/8	.656							
191930337	H-382-34	3/4	.781							
191930340	H-382-78	7/8	.906							



SALES DRAWING

- NOTE(S):  
 1. MATERIAL: COPPER  
 2. PLATING ELECTROPLATE TIN.  
 3. ALL DIMENSIONS IN INCHES/(MM)  
 4. WIRE SIZE: 1/0 AWG  
 50 MM<sup>2</sup>

REVISED/UPDATE TO MX STD EC NO. ETC2003-0315 DRAWN: JMYRIEK 2003/08/20 CHKD: HEB 2003/08/21 APPR: RDBROSS 2003/08/21	QUALITY SYMBOLS -0 -0	GENERAL TOLERANCES (UNLESS SPECIFIED)		SCALE 2:1	DESIGN UNITS INCH	THIRD ANGLE PROJECTION	REVISE ON CAD ONLY		
		4 PLACES ± --- ± ---	3 PLACES ± --- ± .005	DIMENSION STYLE IN/MM		TITLE RING TONGUE TERMINAL VERSAKRIMP SERIES 1/0 AWG			
		2 PLACES ± 0.13 ± .01	1 PLACE ± 0.25 ± ---	DRAWN BY DLM	DATE 03/06/13	MOLEX INCORPORATED			
		ANGULAR ± 1/2°		CHECKED BY HEB	DATE 03/06/13	MATERIAL NO. (SEE CHART)   DOCUMENT NO. SD-19193-021   SHEET NO. 1 OF 1			
DRAFT WHERE APPLICABLE MUST REMAIN WITHIN DIMENSIONS		APPROVED BY RWD	DATE 03/06/13	THIS DRAWING CONTAINS INFORMATION THAT IS PROPRIETARY TO MOLEX INCORPORATED AND SHOULD NOT BE USED WITHOUT WRITTEN PERMISSION					