

## Excellent Integrated System Limited

Stocking Distributor

Click to view price, real time Inventory, Delivery & Lifecycle Information:

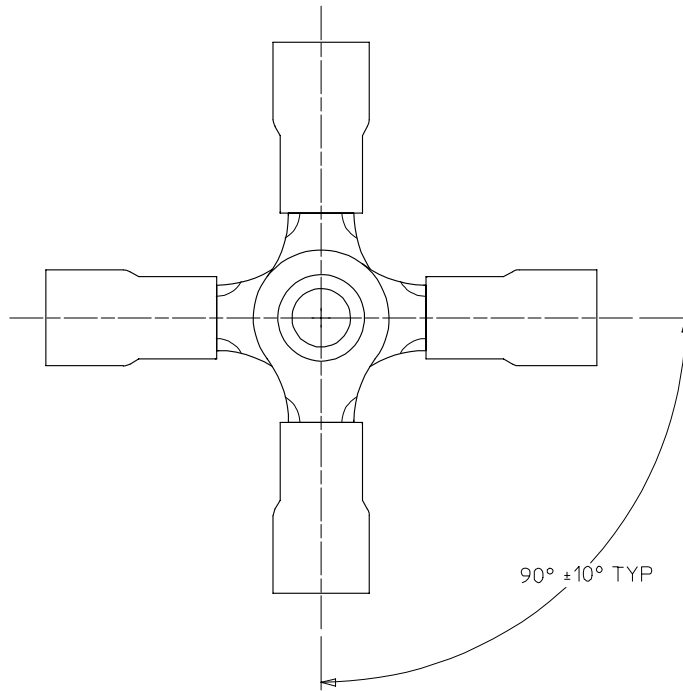
[Molex Connector Corporation](#)  
[0191640041](#)

For any questions, you can email us directly:

[sales@integrated-circuit.com](mailto:sales@integrated-circuit.com)

19204

ASSEMBLY NUMBER	
MATERIAL NUMBER	ENGINEERING NUMBER
192040001	A-1XC
192040003	A-2XCX
192040006	A-3XC
192040008	A-5XC
192040011	B-1XC
192040013	B-2XCX
192040015	B-3XC
192040017	B-5XC
192040021	B-8XC
192040023	C-1XC
192040025	C-2XCX
192040027	C-3XC
192040029	C-5XC
192040019	C-8XC
191640284	SA-2XCX
191640041	SB-2XCX
191640285	SC-2XCX



90° ±10° TYP

SALES DRAWING

WAS: 6525-01/C.-02/C EC NO: ETC2003-0305 DRAWN: DMYRICK 2003/05/16 CHKD: RWD 2003/05/16 APPR: RDEROSS 2003/05/16	QUALITY SYMBOLS	GENERAL TOLERANCES (UNLESS SPECIFIED)	SCALE NTS	DESIGN UNITS INCH	THIRD ANGLE PROJECTION	REVISE ON CAD ONLY																																				
	-0 -0	<table border="1"> <thead> <tr> <th></th> <th>mm</th> <th>INCH</th> </tr> </thead> <tbody> <tr> <td>4 PLACES</td> <td>± ---</td> <td>± ---</td> </tr> <tr> <td>3 PLACES</td> <td>± ---</td> <td>± .005</td> </tr> <tr> <td>2 PLACES</td> <td>± 0.13</td> <td>± .01</td> </tr> <tr> <td>1 PLACE</td> <td>± 0.25</td> <td>± ---</td> </tr> </tbody> </table>		mm	INCH	4 PLACES	± ---	± ---	3 PLACES	± ---	± .005	2 PLACES	± 0.13	± .01	1 PLACE	± 0.25	± ---	<table border="1"> <thead> <tr> <th colspan="2">DIMENSION STYLE</th> </tr> <tr> <th>IN/MM</th> <th>TITLE</th> </tr> </thead> <tbody> <tr> <td></td> <td>4-WAY CONNECTOR ASSEMBLY</td> </tr> </tbody> </table>	DIMENSION STYLE		IN/MM	TITLE		4-WAY CONNECTOR ASSEMBLY	<table border="1"> <thead> <tr> <th>DRAWN BY</th> <th>DATE</th> </tr> </thead> <tbody> <tr> <td>RWD</td> <td>03/05/14</td> </tr> </tbody> </table>	DRAWN BY	DATE	RWD	03/05/14	<table border="1"> <thead> <tr> <th>CHECKED BY</th> <th>DATE</th> <th>MATERIAL NO.</th> <th>DOCUMENT NO.</th> <th>SHEET NO.</th> </tr> </thead> <tbody> <tr> <td>RWD</td> <td>03/05/14</td> <td>(SEE CHART)</td> <td>SD-19204-002</td> <td>1 OF 1</td> </tr> </tbody> </table>			CHECKED BY	DATE	MATERIAL NO.	DOCUMENT NO.	SHEET NO.	RWD	03/05/14	(SEE CHART)	SD-19204-002	1 OF 1
		mm	INCH																																							
	4 PLACES	± ---	± ---																																							
3 PLACES	± ---	± .005																																								
2 PLACES	± 0.13	± .01																																								
1 PLACE	± 0.25	± ---																																								
DIMENSION STYLE																																										
IN/MM	TITLE																																									
	4-WAY CONNECTOR ASSEMBLY																																									
DRAWN BY	DATE																																									
RWD	03/05/14																																									
CHECKED BY	DATE	MATERIAL NO.	DOCUMENT NO.	SHEET NO.																																						
RWD	03/05/14	(SEE CHART)	SD-19204-002	1 OF 1																																						
	ANGULAR ±1/2°	DRAFT WHERE APPLICABLE	APPROVED BY	DATE	MOLEX INCORPORATED																																					
		MUST REMAIN WITHIN DIMENSIONS	RWD	03/05/14	THIS DRAWING CONTAINS INFORMATION THAT IS PROPRIETARY TO MOLEX INCORPORATED AND SHOULD NOT BE USED WITHOUT WRITTEN PERMISSION																																					
					A																																					

tb\_frame\_A  
rev. B1 2000/08/01