

## **Excellent Integrated System Limited**

Stocking Distributor

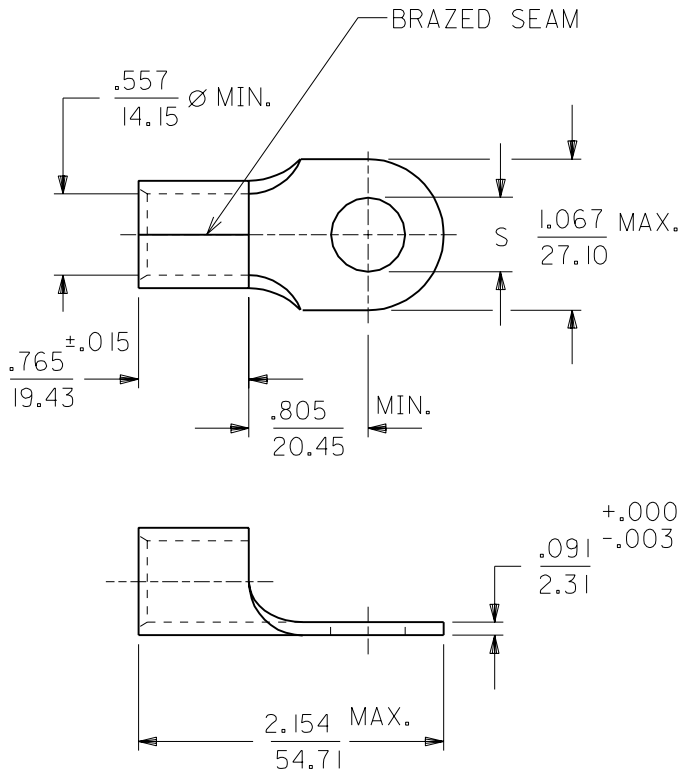
Click to view price, real time Inventory, Delivery & Lifecycle Information:

[Molex Connector Corporation](#)  
[0191930364](#)

For any questions, you can email us directly:

[sales@integrated-circuit.com](mailto:sales@integrated-circuit.com)

DRWG. NO. CDK390



MATERIAL: COPPER  
PLATING: TIN

| PART NO. | STUD SIZE | ±.003 "S" |
|----------|-----------|-----------|
| K-390-56 | 5/16      | .328      |
| K-390-38 | 3/8       | .390      |
| K-390-76 | 7/16      | .453      |
| K-390-12 | 1/2       | .515      |
| K-390-58 | 5/8       | .656      |
| K-390-34 | 3/4       | .781      |

WIRE SIZE: 3/0 AWG  
95 MM<sup>2</sup>

REVISE ONLY ON CAD SYSTEM

TITLE  
RING TONGUE TERMINAL  
VERSAKRIMP  
3/0 AWG

DRWG. BY EMF  
CHK'D. BY JM  
APP'D. BY FP  
SCALE 1:1

**molex ETC INC.**  
PINELLAS PARK, FLA. 34665 U.S.A.  
PART NO. SEE CHART  
FILE NAME CDK390

SHEET NO. DATE 12/01/93  
DRWG. NO. CDK390  
THIS DRAWING CONTAINS INFORMATION THAT IS PROPRIETARY TO MOLEX-ETC INC. AND SHOULD NOT BE USED WITHOUT WRITTEN PERMISSION.  
DIV. SIZE A

6

5

4

3

2

1