

Excellent Integrated System Limited

Stocking Distributor

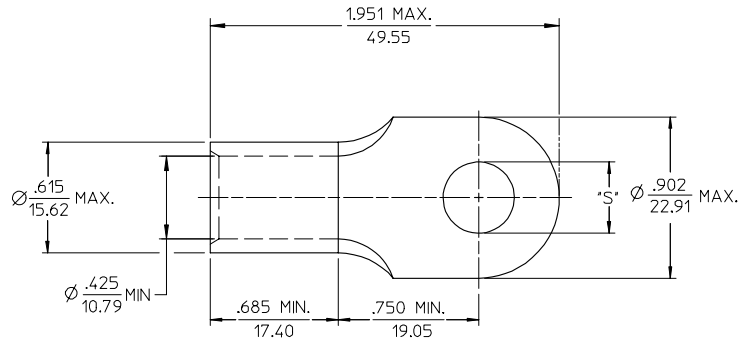
Click to view price, real time Inventory, Delivery & Lifecycle Information:

[Molex Connector Corporation](#)
[0191930889](#)

For any questions, you can email us directly:

sales@integrated-circuit.com

10	9	8	7	6	5	4	3	2	19193	
MATERIAL NO.	ENG. NO.	STUD SIZE	±.003 "S"	STOCK THICKNESS						
191930326	H-380-14	1/4	.265	.075 (1.90)						
191930328	H-380-56	5/16	.328							
191930612	H-380-38	3/8	.390							
191930329	H-380-76	7/16	.453							
191930325	H-380-12	1/2	.515							



SALES DRAWING

- NOTE(S):
1. MATERIAL: COPPER
 2. PLATING: ELECTROPLATE TIN
 3. ALL DIMENSIONS IN INCHES/(MM)
 4. WIRE SIZE: 1/0 AWG
50 MM²
 5. PART IS ROHS COMPLIANT.

REV. CHART & ADDED ROHS EC. NO.: ETC2007-0397	DESCRIPTION 2007/01/27 2007/05/09 2007/05/10	QUALITY SYMBOLS ▽=0 ▽=0	GENERAL TOLERANCES (UNLESS SPECIFIED)		DIMENSION STYLE IN/MM		SCALE 2:1	DESIGN UNITS INCH	THIRD ANGLE PROJECTION
			mm	INCH	DRAWN BY GZ	DATE 85/04/15	TITLE		
DRAWN BY CHKD: JMACNEIL APP: JMACNEIL	REV. DESCRIPTION	▽=0	4 PLACES ±---	±---	CHECKED BY GZ	DATE 85/04/15	RING TONGUE TERMINAL, VERSAKRIMP SERIES, 1/0 AWG		
			3 PLACES ±---	±.005	APPROVED BY GZ	DATE 85/04/15	MOLEX INCORPORATED		
			2 PLACES ±0.13	±.01	MATERIAL NO. SEE CHART		DOCUMENT NO. SD-19193-008	SHEET NO. 1 OF 1	
			1 PLACE ±0.25	±---	THIS DRAWING CONTAINS INFORMATION THAT IS PROPRIETARY TO MOLEX INCORPORATED AND SHOULD NOT BE USED WITHOUT WRITTEN PERMISSION				
			ANGULAR ±1/2°						