

Excellent Integrated System Limited

Stocking Distributor

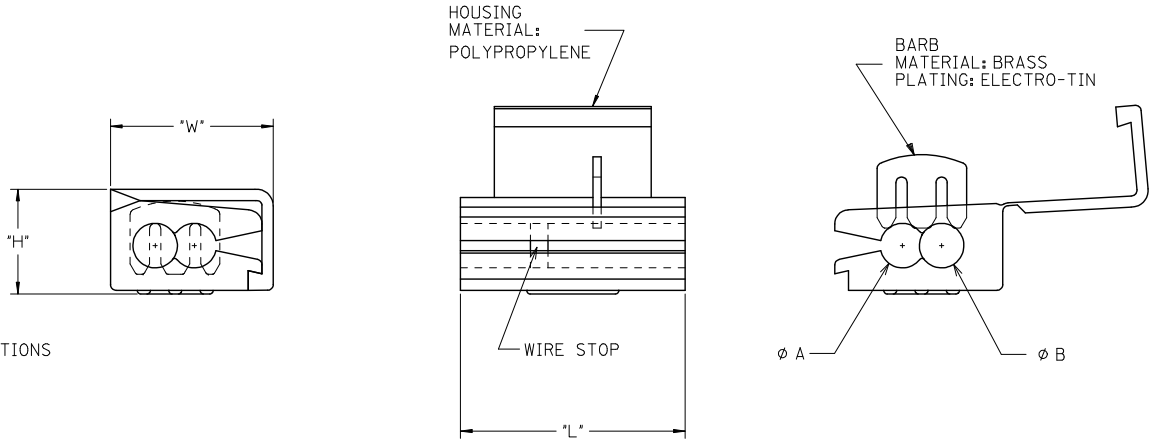
Click to view price, real time Inventory, Delivery & Lifecycle Information:

[Molex Connector Corporation](#)
[0192160062](#)

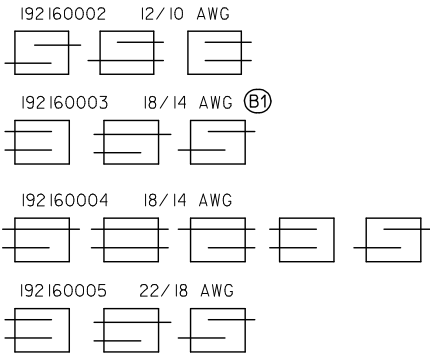
For any questions, you can email us directly:

sales@integrated-circuit.com

10	9	8	7	6	5	4	3	2	19216
MATERIAL NUMBER	ALTERNATE NUMBER	WIRE SIZE	WIRE STOP	COLOR	"H" MAX	"W" MAX	"L" MAX	"A" MIN	"B" MIN
192160002	ML-1210	12-10	YES	YELLOW	.52/(13.2)	.74/(18.8)	.80/(20.3)	.160/(4.06)	.185/(4.70)
192160003	ML-1614	18-14 (B1)	YES	BLUE	.42/(10.7)	.55/(13.8)	.79/(20.1)	.125/(3.17)	.130/(3.30)
192160004	ML-1814	18-14	NO	WHITE	.42/(10.7)	.55/(13.8)	.79/(20.1)	.125/(3.17)	.130/(3.30)
192160005	ML-2218	22-18	YES	RED	.42/(10.7)	.55/(13.8)	.79/(20.1)	.120/(3.04)	.120/(3.04)



POSSIBLE WIRE CONFIGURATIONS



NOTE:
PARTS ARE ROHS COMPLIANT.

CUSTOMER DRAWING

CORRECT WIRE SIZE EC NO: IPG2014-1302 DRAWING NO: 2814/01173 CHKD: MACNEIL 2814/01173 APPR: MACNEIL 2814/02/07	QUALITY SYMBOLS ▽=0 ▽=0	GENERAL TOLERANCES (UNLESS SPECIFIED)		DIMENSION STYLE IN/MM		SCALE 1:1	DESIGN UNITS INCH	THIRD ANGLE PROJECTION	
		4 PLACES ± --- ± ---	mm INCH	DRAWN BY EDB	DATE 2000/11/22	TITLE MULTI LOCK CONNECTOR 22 THROUGH 10 AWG			
		3 PLACES ± --- ± .005		CHECKED BY HEB	DATE 2000/11/22				
		2 PLACES ± 0.13 ± .01 1 PLACE ± 0.25 ± --- ANGULAR ± ---°		APPROVED BY RWD	DATE 2000/11/22	MATERIAL NO. SEE CHART			
DRAFT WHERE APPLICABLE MUST REMAIN WITHIN DIMENSIONS		MATERIAL NO. SEE CHART	DOCUMENT NO. SD-19216-003	MOLEX INCORPORATED		SHEET NO. 1 OF 1			
REV B1		THIS DRAWING CONTAINS INFORMATION THAT IS PROPRIETARY TO MOLEX INCORPORATED AND SHOULD NOT BE USED WITHOUT WRITTEN PERMISSION							