

Excellent Integrated System Limited

Stocking Distributor

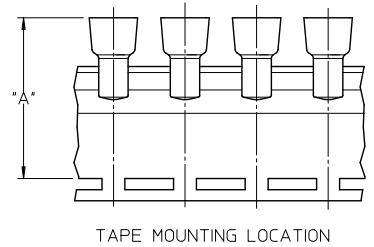
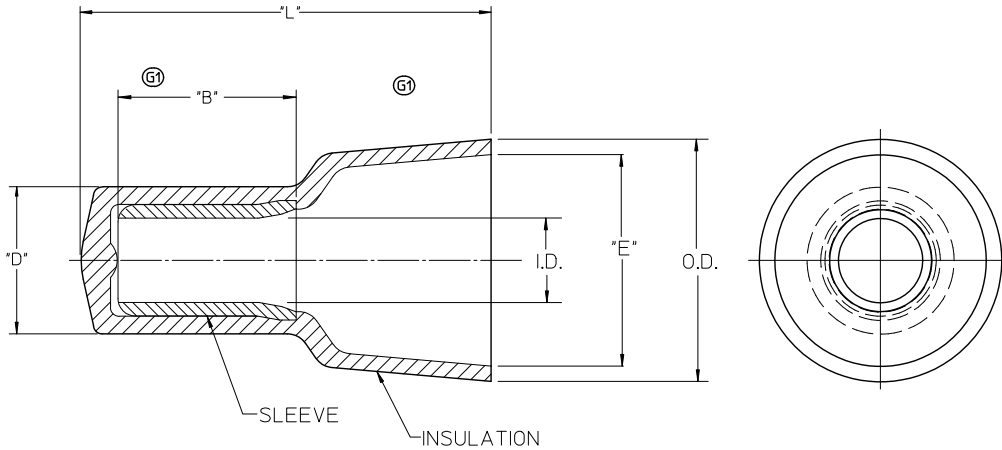
Click to view price, real time Inventory, Delivery & Lifecycle Information:

[Molex Connector Corporation](#)
[0191600171](#)

For any questions, you can email us directly:

sales@integrated-circuit.com

10		9		8		7		6		5		4		3		2		19160		
LOOSE PIECE		TAPE MOUNTED				"L" MAX.	"B" MIN $\text{\textcircled{G}}$	"D" MAX.	"E" MIN.	I.D. MIN.	O.D. MAX.	"A" DIM $\pm 0.02/0.5 \text{\textcircled{G}}$								
MATERIAL NO.	ENG. NO.	MATERIAL NO.	ENG. NO.	ENG. NO.																
191600012	NC-2214	191600070	NC-2214T		.62/15.7	.30/7.6	.19/4.8	.24/6.1	.09/2.3	.32/8.1	1.54/39.2									
191600009	NC-2212	191600071	NC-2212T		.76/19.3	.30/7.6	.23/5.8	.27/6.9	.10/2.5	.36/9.1	1.63/41.4									
191600002	NC-1610	191600083	NC-1610T		.90/22.8	.28/7.1	.28/7.1	.38/9.6	.15/3.8	.45/11.4	1.75/44.5									
191600024	NC-8	191600028	NC-8T		1.10/27.9	.42/10.6	.36/9.1	.48/12.2	.21/5.3	.57/14.5	1.86/47.4									



SALES DRAWING

NOTES:

- MATERIAL: SLEEVE: TIN-PLATED COPPER
INSULATION: 6/6 NYLON,
NATURAL TRANSLUCENT
- PARTS ARE ROHS COMPLIANT.

CORRECT TOLERANCES EC NO: WNA 2010-0673 DRAWN BY: DRW:ETHRODAHL 2010/05/07 CHECKED BY: CHY:R. DEROSS 04/02/23 APPR: JACQUELLE 2010/06/23 REV: G1	QUALITY SYMBOLS $\nabla=0$ $\sphericalangle=0$	GENERAL TOLERANCES (UNLESS SPECIFIED)		DIMENSION STYLE		SCALE	DESIGN UNITS	$\text{\textcircled{G}}$ THIRD ANGLE PROJECTION	
			mm	INCH	IN/MM		5:1		INCH
		4 PLACES	\pm ---	\pm ---	DRAWN BY	DATE	TITLE		
		3 PLACES	\pm ---	\pm ---	H. BEITZE	04/02/23	CLOSED END CONNECTORS NYLON INSULATED		
	2 PLACES	\pm ---	\pm ---	CHECKED BY	DATE	MOLEX INCORPORATED			
	1 PLACE	\pm ---	\pm ---	R. DEROSS	04/02/23	SD-19160-001			
	ANGULAR	\pm ---	\pm ---	APPROVED BY	DATE	SHEET NO.			
				R. DEROSS	04/02/23	1 OF 1			
				MATERIAL NO.		DOCUMENT NO.			
				SEE CHART		SD-19160-001			
				DRAFT WHERE APPLICABLE MUST REMAIN WITHIN DIMENSIONS				THIS DRAWING CONTAINS INFORMATION THAT IS PROPRIETARY TO MOLEX INCORPORATED AND SHOULD NOT BE USED WITHOUT WRITTEN PERMISSION	