



Distributor of Molex Connector Corporation: Excellent Integrated System Limited
Datasheet of 0190160206 - Connector Quick Connect Receptacle 14-16 AWG 0.250"
(6.35mm) Crimp 1=100

Contact us: sales@integrated-circuit.com Website: www.integrated-circuit.com

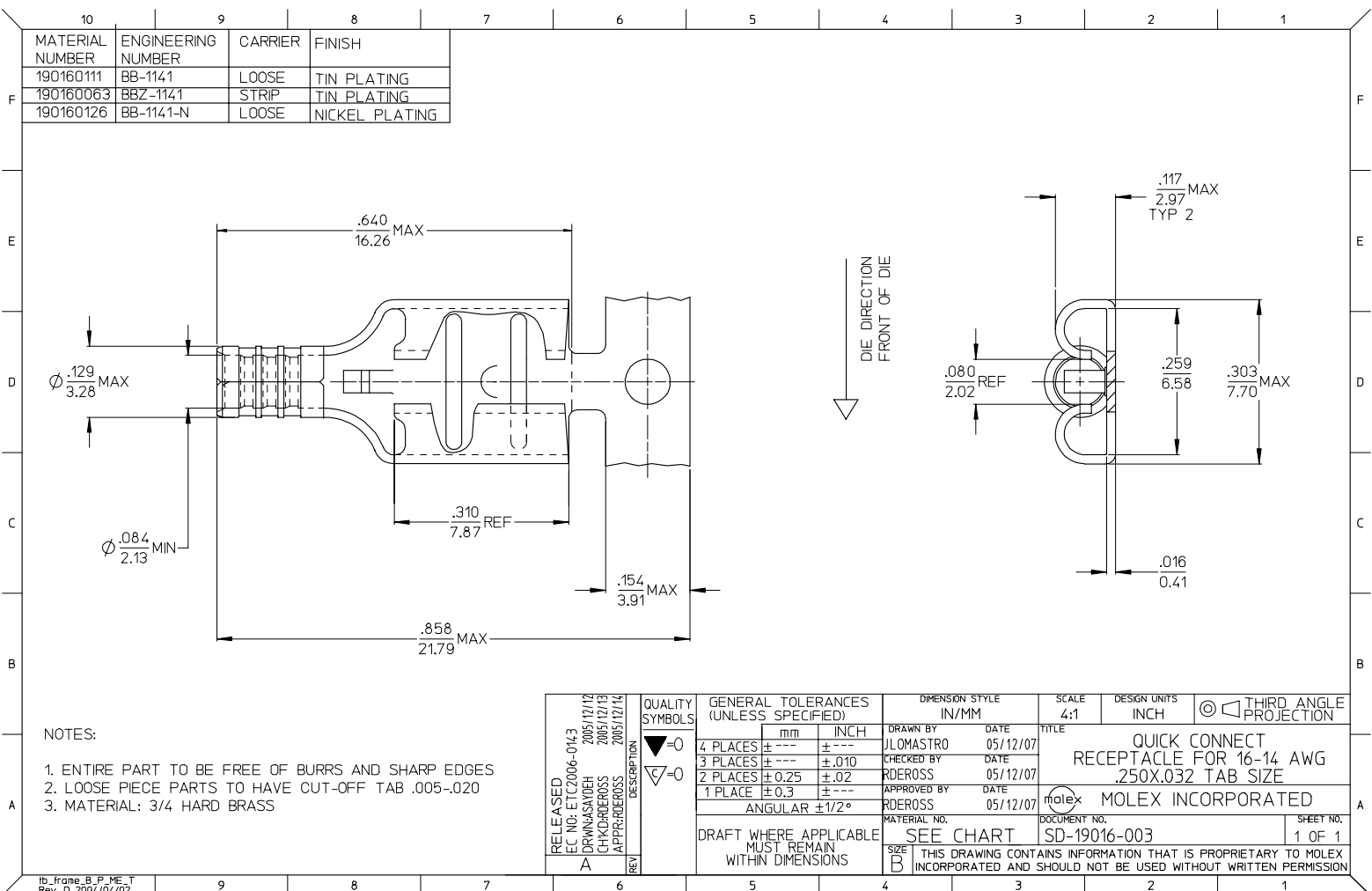
Excellent Integrated System Limited

Stocking Distributor

Click to view price, real time Inventory, Delivery & Lifecycle Information:

[Molex Connector Corporation](#)
[0190160206](#)

For any questions, you can email us directly:
sales@integrated-circuit.com



NOTES:

1. ENTIRE PART TO BE FREE OF BURRS AND SHARP EDGES
2. LOOSE PIECE PARTS TO HAVE CUT-OFF TAB .005-.020
3. MATERIAL: 3/4 HARD BRASS

RELEASED EC NO: ETC2006-0143 DRWINASAMDEH 2005/12/12 CHYKORROSS 2005/12/12 APPRORROSS 2005/12/14 A REV	QUALITY SYMBOLS ▽=0 ▽=0	GENERAL TOLERANCES (UNLESS SPECIFIED)		DIMENSION STYLE IN/MM	SCALE 4:1	DESIGN UNITS INCH	THIRD ANGLE PROJECTION
		4 PLACES ± --- ± --- 3 PLACES ± --- ± .010 2 PLACES ± 0.25 ± .02 1 PLACE ± 0.3 ± --- ANGULAR ± 1/2°	mm INCH	DRAWN BY JLOMASTRO	DATE 05/12/07	TITLE QUICK CONNECT RECEPTACLE FOR 16-14 AWG .250X.032 TAB SIZE	
DRAFT WHERE APPLICABLE MUST REMAIN WITHIN DIMENSIONS		MATERIAL NO. SEE CHART		APPROVED BY RDEROSS	DATE 05/12/07	MOLEX INCORPORATED	SHEET NO. 1 OF 1