

Excellent Integrated System Limited

Stocking Distributor

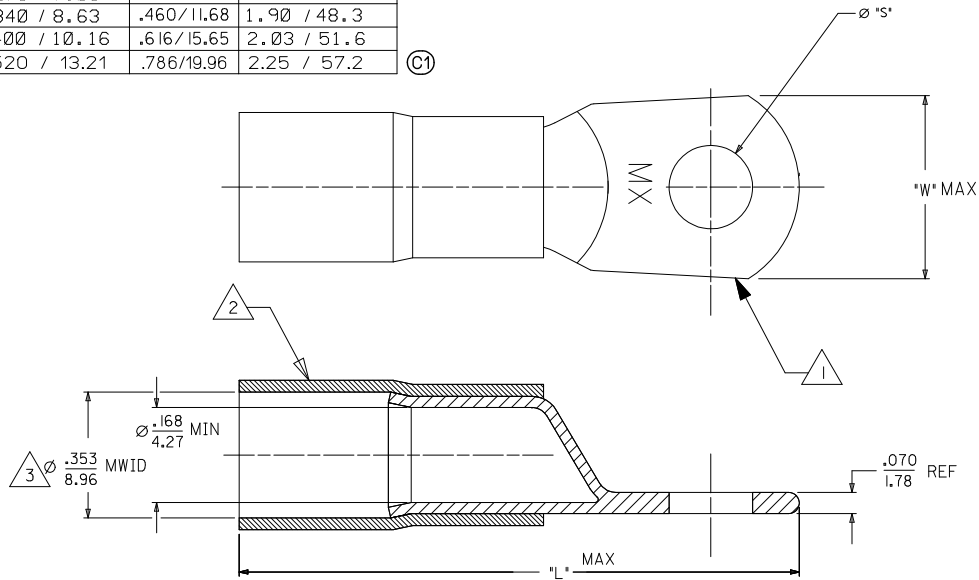
Click to view price, real time Inventory, Delivery & Lifecycle Information:

[Molex Connector Corporation](#)
[0191640884](#)

For any questions, you can email us directly:

sales@integrated-circuit.com

10	9	8	7	6	5	4	3	2	19164
MATERIAL NUMBER	ENGINEERING NUMBER	STUD SIZE	"S" REF	"W" MAX	"L" MAX				
191640840	SD-810	#10	.214 / 5.44	.460/11.68	1.90 / 48.3				
191640884	SD-814	1/4	.278 / 7.06	.460/11.68	1.90 / 48.3				
191640842	SD-8516	5/16	.340 / 8.63	.460/11.68	1.90 / 48.3				
191640843	SD-838	3/8	.400 / 10.16	.616/15.65	2.03 / 51.6				
191641007	SD-812-XWP-PL	1/2	.520 / 13.21	.786/19.96	2.25 / 57.2				



NOTES:

- 1. MATERIAL: TERMINAL: COPPER. PLATING: TIN
- 2. INSULATION: HEAT SHRINKABLE TUBING W/HOT MELT ASHESIVE INNER LINER. COLOR: RED
- 3. MWID = MAXIMUM WIRE INSULATION DIAMETER.
- 4. ASSEMBLY IS ROHS COMPLIANT.

SALES DRAWING

REVISE DIMENSION L MAX E.C. NO: IPG2015-0652 DRAWN BY: JAS01 2014/10/08 CHKD: MACNEIL 2014/10/08 APPR: MACNEIL 2014/10/14	QUALITY SYMBOLS $\nabla=0$ $\nabla=0$	GENERAL TOLERANCES (UNLESS SPECIFIED)		DIMENSION STYLE		SCALE	DESIGN UNITS	THIRD ANGLE PROJECTION	
			mm	INCH	IN/MM	---	INCH		
		4 PLACES	±---	±---	DRAWN BY	DATE	TITLE		
		3 PLACES	±---	±---	CHECKED BY	DATE	RING TONGUE TERMINAL PERMA-SEAL 8 AWG NIAC		
	2 PLACES	±---	±---	HEB	04/02/11	Molex MOLEX INCORPORATED			
	1 PLACE	±---	±---	APPROVED BY	DATE	MATERIAL NO. DOCUMENT NO. SHEET NO.			
	ANGULAR ±---		RWD	04/02/11	SEE CHART		SD-19164-066	1 OF 1	
DRAFT WHERE APPLICABLE MUST REMAIN WITHIN DIMENSIONS		SIZE B		THIS DRAWING CONTAINS INFORMATION THAT IS PROPRIETARY TO MOLEX INCORPORATED AND SHOULD NOT BE USED WITHOUT WRITTEN PERMISSION					