



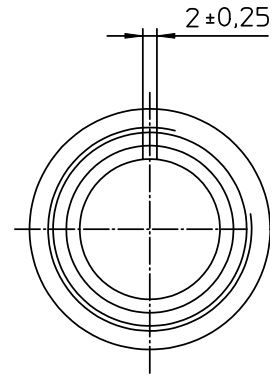
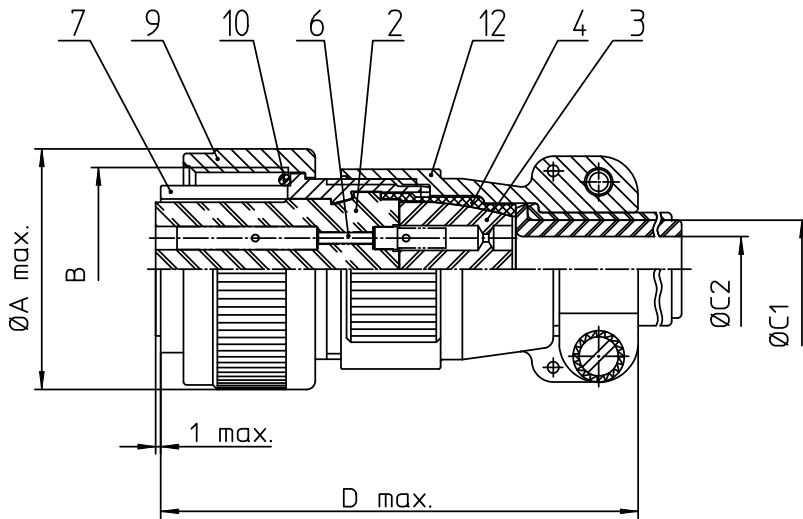
Excellent Integrated System Limited

Stocking Distributor

Click to view price, real time Inventory, Delivery & Lifecycle Information:

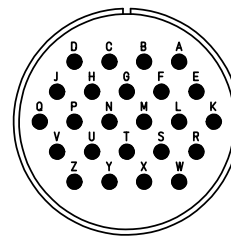
[ITT Cannon, LLC](#)
[CA06R24-28SA206](#)

For any questions, you can email us directly:
sales@integrated-circuit.com




| NO. | MASSE / DIMENSION |
|-----|-------------------|
| A | 43.8 |
| B | 1 1/2-18NEF-2B |
| C1 | 21.5 |
| C2 | 16.6 |
| D | 76 |

| NO. | BESCHREIBUNG / DESCRIPTION |
|-----|---|
| 2 | ISOLIERKÖRPER BUCHSE / INSULATOR SOCKET |
| 3 | DICHTKÖRPER / GROMMET |
| 4 | ENDRING / ENDRING |
| 6 | KONTAKTBÜCHSE / CONTACT SOCKET |
| 7 | ZYLINDERGHÄUSE / BARREL |
| 9 | ÜBERWURFMUTTER / COUPLING NUT |
| 10 | DICHTRING FRONT / FRONT SEALING RING |
| 12 | ENDGEHÄUSE / ENDBELL |



Note: Due to an automatic nomenclature system, numbers generated may not be sequential.
Specification and Dimensions subject to change
Drawings illustrate normal insulator positioning

| Material Specification: | |
|-------------------------|--------------------------------|
| Shell Material: | Aluminium alloy |
| Shell Plating: | Black Zinc Cobalt (conductive) |
| Insulator Material: | Neoprene |
| Contact Material: | Copper alloy |
| Contact Plating: | Hard silver |

| all dimensions are in mm Dimensions without tolerance indications are general tolerances in acc. with DIN7168m | | drawing for CUSTOMER |
|--|------------------------------------|---|
|  ITT Engineered for life <small>ITT CANNON GmbH D-37189 Verden/Leine, Germany</small> | description | CA06R24-28S-A206 |
| | | Plug, straight Endbell with cable clamp Solder Cup / Socket / Layout: 24-28 |
| <small>© All rights reserved. Reproduction or issue in third in any form whenever is only permitted with written authorization of ITT Cannon</small> | page 1/1 revision 377.3, Jul 16 | |