



## **Excellent Integrated System Limited**

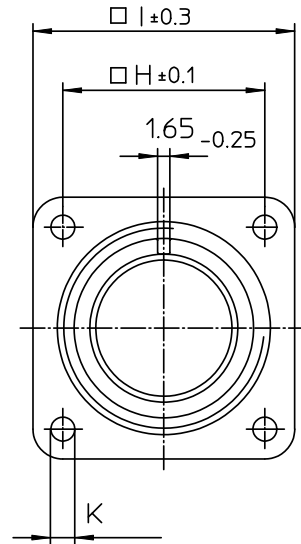
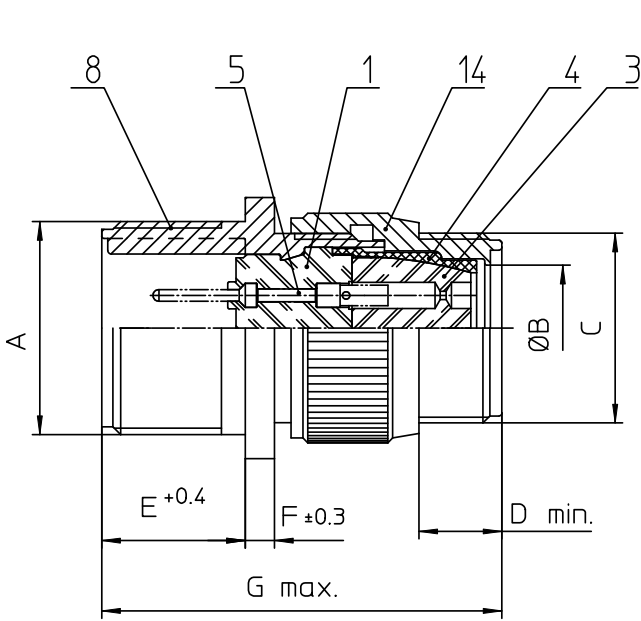
Stocking Distributor

Click to view price, real time Inventory, Delivery & Lifecycle Information:

[ITT Cannon, LLC](#)  
[CA3100F20-8PF80](#)

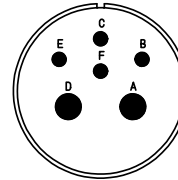
For any questions, you can email us directly:

[sales@integrated-circuit.com](mailto:sales@integrated-circuit.com)




| NO. | MASSE / DIMENSION |
|-----|-------------------|
| A   | 1 1/4-18NEF-2A    |
| B   | 19.8              |
| C   | 1 3/16-18NEF-2A   |
| D   | 9.5               |
| E   | 19                |
| F   | 4                 |
| G   | 55                |
| H   | 29.4              |
| I   | 38                |
| K   | 3.1               |

| NO. | BESCHREIBUNG / DESCRIPTION          |
|-----|-------------------------------------|
| 1   | ISOLIERKÖRPER STIFT / INSULATOR PIN |
| 3   | DICKTKÖRPER / GROMMET               |
| 4   | ENDRING / ENDRING                   |
| 5   | KONTAKTSTIFT/ CONTACT PIN           |
| 8   | DOSENGEHÄUSE / SHELL                |
| 14  | F-ENDGEHÄUSE / F-ENDBELL            |



|  |
|--|
| Note: Due to an automatic nomenclature system, numbers generated may not be sequential.            |
| Specification and Dimensions subject to change<br>Drawings illustrate normal insulator positioning |
| Material Specification:  |
| Shell Material: Aluminium alloy  |
| Shell Plating: Olive drab chromate coating over cadmium plating                                    |
| Insulator Material: Neoprene   |
| Contact Material: Copper alloy   |
| Contact Plating: Hard silver   |

|  |   |
|--|---|
| all dimensions are in mm<br>Dimensions without tolerance indications are general tolerances in acc. with DIN7168m  | drawing for<br>CUSTOMER   |
| <br><b>ITT</b><br><i>Engineered for life</i><br><small>ITT CANNON GmbH<br/>D-71284 Weinstadt-Gammig</small> | description CA3100F20-8P-F80<br>Wall mounting receptacle<br>Endbell for flex tube<br>AWG Crimp / Pin / Layout: 20-8 |
| <small>© All rights reserved. Reproduction or issue to third in any form<br/>whenever is only permitted with written authorization of ITT Cannon</small>   | page 1/1<br>revision 377 3. Jul 16  |