



## **Excellent Integrated System Limited**

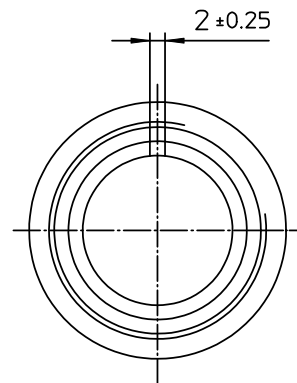
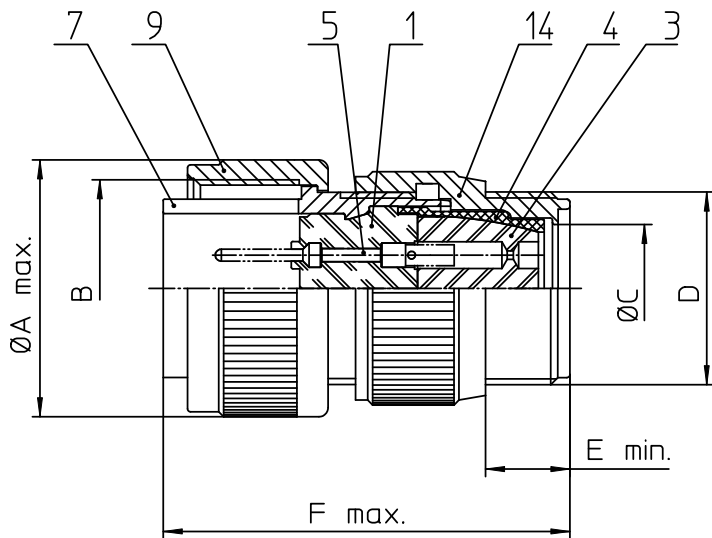
Stocking Distributor

Click to view price, real time Inventory, Delivery & Lifecycle Information:

[ITT Cannon, LLC](#)  
[CA3106F14S-7PF80A206](#)

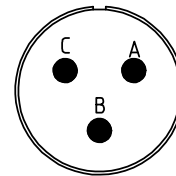
For any questions, you can email us directly:

[sales@integrated-circuit.com](mailto:sales@integrated-circuit.com)




NO.	MASSE / DIMENSION
A	28.8
B	7/8-20UNEF-2B
C	11.1
D	3/4-20UNEF-2A
E	9.5
F	45

NO.	BESCHREIBUNG / DESCRIPTION
1	ISOLIERKÖRPER STIFT / INSULATOR PIN
3	DICHTKÖRPER / GROMMET
4	ENDRING / ENDRING
5	KONTAKTSTIFT / CONTACT PIN
7	ZYLINDERGHÄUSE / BARREL
9	ÜBERWURFMUTTER / COUPLING NUT
14	F-ENDGEHÄUSE / F-ENDBELL



Note: Due to an automatic nomenclature system, numbers generated may not be sequential.  
Specification and Dimensions subject to change  
Drawings illustrate normal insulator positioning

Material Specification:
Shell Material: Aluminium alloy
Shell Plating: Black Zinc Cobalt (conductive)
Insulator Material: Neoprene
Contact Material: Copper alloy
Contact Plating: Hard silver

all dimensions are in mm	Dimensions without tolerance indications are general tolerances in acc. with DIN7168m	drawing for
 <p>description: CA3106F14S-7P-F80-A206 Plug, straight Endbell for flex tube AWG Crimp / Pin / Layout: 14S-7</p>		CUSTOMER
<p>© All rights reserved. Reproduction or issue to third in any form whatever is only permitted with written authorization of ITT Cannon</p>		<p>page 1/1 revision 377.3, Jul 16</p>