

Excellent Integrated System Limited

Stocking Distributor

Click to view price, real time Inventory, Delivery & Lifecycle Information:

[CW Industries](#)
[GRSN-2011-2002](#)

For any questions, you can email us directly:

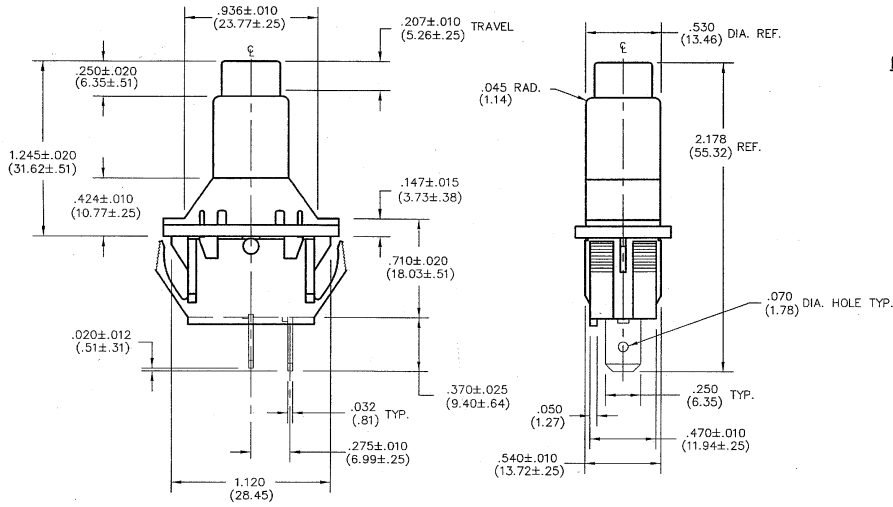
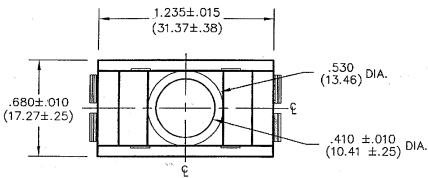
sales@integrated-circuit.com



DIMENSIONS IN INCHES (MILLIMETERS)
DO NOT SCALE DRAWING

Dwg. No.
GRSN-2011-2002

F
D
C
B
A



MATERIALS:

HOUSING AND ROCKER: NYLON 6/6 85°C MATERIAL
TERMINAL AND MOVING CONTACT: COPPER ALLOY

RATINGS:

16A. 125V.A.C. 12A. 250V.A.C.
3/4 H.P. 125-250V.A.C.
12 (6)A. 250 ~ VDE

OPERATING TEMPERATURE/HUMIDITY: -30C - 85C/100 Hour Soak @
95% RH and 50C and 1 Hour dry in ambient = > 10 M ohms

ELECTRICAL CYCLES: UL Rated 6K Cycles, VDE 10K Cycles

MECHANICAL CYCLES: 100K Cycles

FLAMMABILITY RATING: UL 94V - 2

REGULATORY APPROVALS: UL 1054/VDE EN61058/CSA C22.2 No. 55

0
REVISIONS
B-FORMAT 2002
RELEASED: DCW 10-26-2009
011262009

1	2	3	4	5	6	7	8	9	10
CW INDUSTRIES Southampton, Pa. 18966								Title: SWITCH ASSEMBLY PUSH ON/OFF S.P.- S.T.	
TOLERANCES UNLESS OTHERWISE SPECIFIED								Division: SWITCH	
2 Place Decimal ±.010 METRIC				1 Place Dec. ±.25mm				Dwg. No. GRSN-2011-2002	
3 Place Decimal ±.005				2 Place Dec. ±.13mm				Approval: G. Guld 10-26-09	
Made for: CW IND.								Dwg. No. GRSN-2011-2002	
Drawn by: DGW 10-26-2009								Dwg. No. GRSN-2011-2002	
Checked by: G. Guld 10-26-09								Dwg. No. GRSN-2011-2002	
Approved: G. Guld 10-26-09								Dwg. No. GRSN-2011-2002	

MASTER