

Excellent Integrated System Limited

Stocking Distributor

Click to view price, real time Inventory, Delivery & Lifecycle Information:

[CW Industries](#)
[GRSH-2011-2600](#)

For any questions, you can email us directly:

sales@integrated-circuit.com

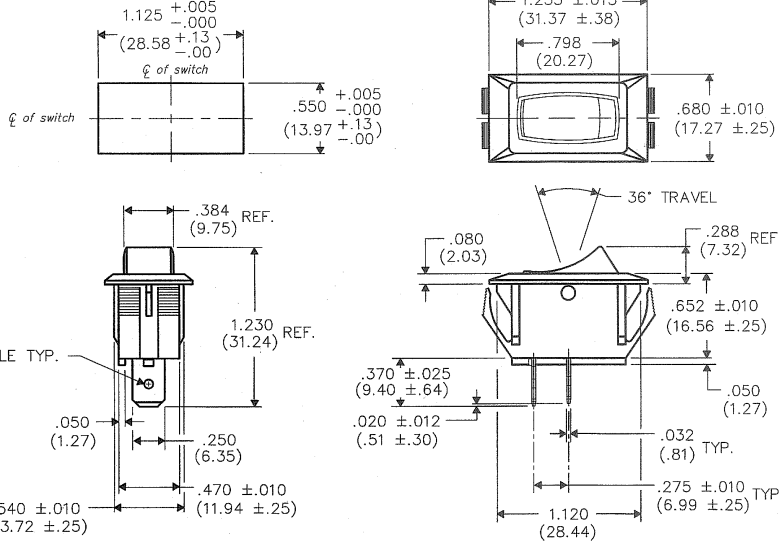


DIMENSIONS IN INCHES (MILLIMETERS)
 DO NOT SCALE DRAWING

Dwg. No.
 GRSH-2011-2600

F
D
C
B
A

PANEL PIERCING



MATERIAL:
 ROCKER KNOB & HOUSING—
 High Temp. Nylon, Color— Black
 MOVING CONTACT & TERMINALS—
 Copper Alloy/Micro—Finish

RATING: UL/CSA/VDE
 16A. 125V 12A. 250VAC
 3/4 H.P. 125-250VAC
 10A. 14VT 12(6)A. 250V ~ T85'

0								CW INDUSTRIES Southampton, Pa. 18966 <small>TOLERANCES UNLESS OTHERWISE SPECIFIED</small> 2 Place Decimal ±.010 METRIC 3 Place Decimal ±.005 1 Place Dec. ±.25mm Angles ±1° 2 Place Dec. ±.13mm		Title: ASSEMBLY DRAWING SPST ROCKER SWITCH NON-POLARIZED 1.125" x .550" PANEL
B-FORMAT 2002 REVISIONS RELEASED: DWG 2-23-2012 PEE 2 24 12	Made for: CW IND. Drawn by: DGW 2-23-2012 Checked by: <i>A. Guid 2-24-12</i> Approved: <i>G. Guid 2-24-12</i>							Division: SWITCH Dwg. No. GRSH-2011-2600		

MASTER