



**Mallory Sonalert Products, Inc.**

Part #:

**SC250EJ**

**Sales Outline Drawing**

Revision:

**D**

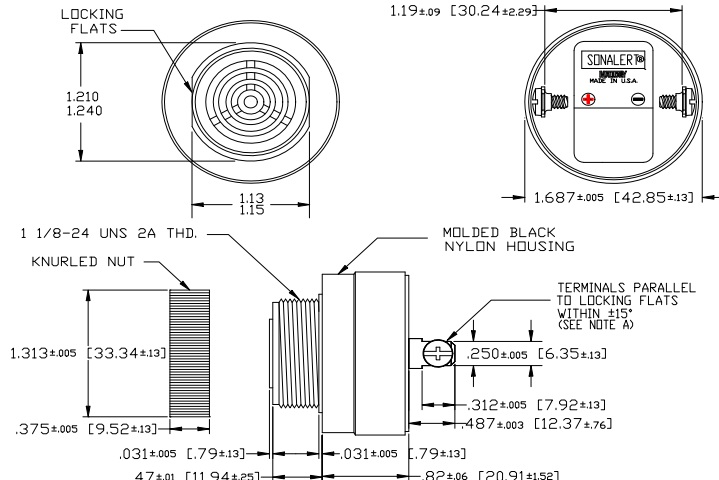
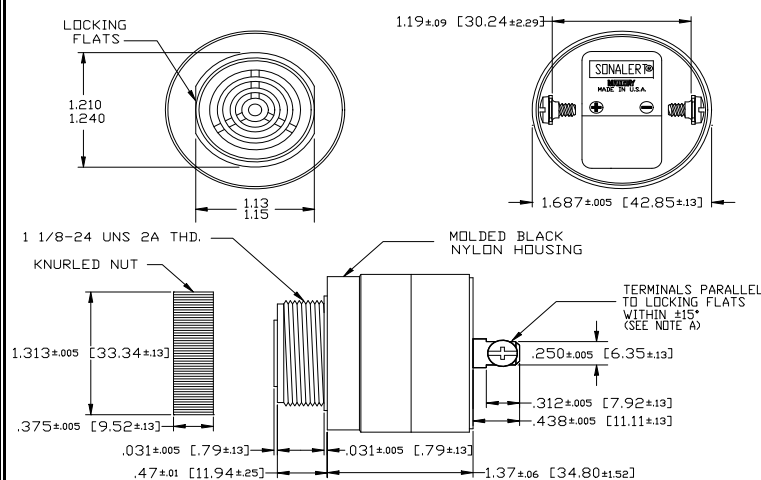
**Specifications:**

|                       |  |
|-----------------------|--|
| Sound Level Category  | Soft   |
| Mode of Operation     | Slow Pulse @ 0.5 - 2.5 PPS   |
| Voltage Rating        | 60 to 250 VAC/DC   |
| Frequency             | 2000 ± 500 Hz  |
| Loudness @ 2 FT       | 58 to 74 dB(A) Typ.  |
| Loudness @ Min V      | 55/65 dB(A) @ 2 Feet and 60 Vac/dc   |
| Loudness @ Max V      | 68/78 dB(A) @ 2 Feet and 250 Vac/dc  |
| Current Draw          | 5-16 mA  |
| Duty Cycle (%)        | 50   |
| Housing Material      | 6/6 Nylon, Color: Black  |
| Storage Temperature   | -40° to +85° C   |
| Operating Temperature | -30° to +65° C   |
| Panel Mounting        | Recommended hole size is 1.25"(31.75mm). Thread front will fit standard 30mm(1.181") hole. |
| Knurled Nut           | Used to attach part to panel. The max recommended torque is 10 in-lbs.                     |
| Weight (Typical)      | 1.6 oz (45g)   |
| NEMA 3R,4X, & 12      | Approved with use of ACC03.  |
| Options               | Please contact factory.  |

**Dimensions:** Inches (mm)

**PART DIMENSIONS BEFORE CODE DATE: 1452 5**

**PART DIMENSIONS AFTER CODE DATE: 1501 1**



NOTE A: TERMINALS-.032 BRASS TIN PLATED, TAPPED FOR #6-32 SCREW. TWO #6-32 NICKEL PLATED BRASS SCREWS INCLUDED. WILL ACCEPT 1/4" QUICK CONNECT.

NOTE B: MOUNTING- REMOVE BLACK PLASTIC NUT AND INSERT THREADED FRONT THROUGH 1.25" HOLE PUNCHED IN PANEL. IF ORIENTATION IS NEEDED, NOTE LOCKING FLATS ON DRAWING. SCREW NUT BACK ON. DO NOT OVERTIGHTEN.

NOTE A: TERMINALS-.032 BRASS TIN PLATED, TAPPED FOR #6-32 SCREW. TWO #6-32 NICKEL PLATED BRASS SCREWS INCLUDED. WILL ACCEPT 1/4" QUICK CONNECT.

NOTE B: MOUNTING- REMOVE BLACK PLASTIC NUT AND INSERT THREADED FRONT THROUGH 1.25" HOLE PUNCHED IN PANEL. IF ORIENTATION IS NEEDED, NOTE LOCKING FLATS ON DRAWING. SCREW NUT BACK ON. DO NOT OVERTIGHTEN.