

## Excellent Integrated System Limited

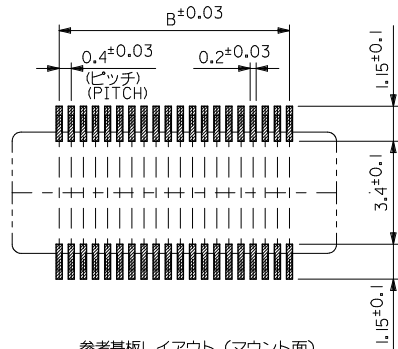
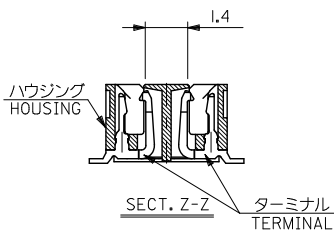
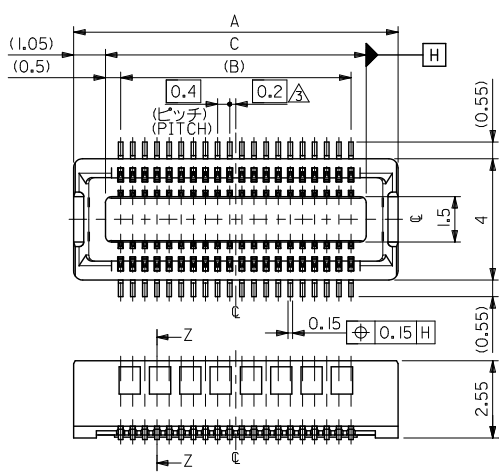
Stocking Distributor

Click to view price, real time Inventory, Delivery & Lifecycle Information:

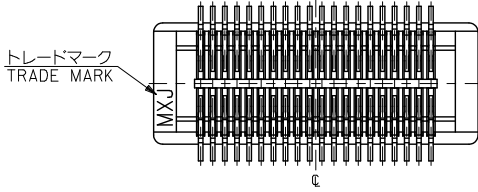
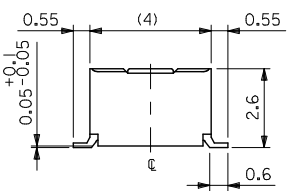
[Molex Connector Corporation](#)  
[0546840508](#)

For any questions, you can email us directly:  
[sales@integrated-circuit.com](mailto:sales@integrated-circuit.com)

10 9 8 7 6 5 4 3 2 1



参考基板レイアウト (マウント面)  
RECOMMENDED P.C.BOARD  
PATTERN DIMENSION (REF.)  
(MOUNTING AREA)



注記 NOTES:

1. 使用材料 MATERIAL  
ハウジング: 液晶ポリマー ガラス充填 UL94V-0 茶色  
HOUSING: LIQUID CRYSTAL POLYMER  
GLASS FILLED UL94V-0  
COLOR BROWN  
ターミナル: リン青銅 (t=0.15)  
TERMINAL: PHOSPHOR BRONZE (t=0.15)
2. メッキ仕様 PLATING  
金メッキ 0.25 マイクロメートル以上 (コンタクト部)  
GOLD 0.25MICROMETER MINIMUM (CONTACT AREA)  
金メッキ 0.4 マイクロメートル以下 (テール部)  
GOLD 0.4MICROMETER MAXIMUM (TAIL AREA)  
下地メッキ: ニッケルメッキ 1.5 マイクロメートル以上  
UNDER PLATING: NICKEL 1.5MICROMETER MINIMUM

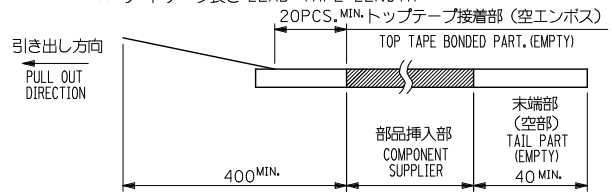
3. (全極数/2) = 偶数の場合に適用。  
APPLY FOR (CIRCUIT/2)=EVEN.
4. 嵌合相手: 55526, 501017 シリーズ  
MATE WITH: 55526, 501017 SERIES.
5. テール平坦度は 0.10 MAX.  
TAIL COPLANARITY TO BE 0.10 MAX.

30.6	29.6	32.7	54684-1507	150
24.6	23.6	26.7	54684-1207	120
12.6	11.6	14.7	54684-0607	60
10.6	9.6	12.7	54684-0507	50
C	B	A	MATERIAL NO.	CIRCUIT

REVISED EC NO. J2010-2046 DRAWN: TARA01 2010/04/13 CHKD: YMI ZUNO 2010/04/14 APPR: HSASAO 2010/04/16	GENERAL TOLERANCES (UNLESS SPECIFIED)		DIMENSION STYLE MM ONLY		SCALE ---	DESIGN UNITS METRIC	THIRD ANGLE PROJECTION
	10 UNDER	± 0.2	DRAWN BY SAIHARA	DATE 1999/10/02	TITLE 0.4 B-TO-B CONN REC HSG ASSY NO BOSS		
	10 OVER 30 UNDER	± 0.25	CHECKED BY YMI ZUNO	DATE 2002/03/11	MOLEX INCORPORATED		
	30 OVER	± 0.3	APPROVED BY TYAMAGUCHI	DATE 2002/03/11	DOCUMENT NO. SD-54684-003		
ANGULAR ±3 °		DRAFT WHERE APPLICABLE MUST REMAIN WITHIN DIMENSIONS		MATERIAL NO. SEE TABLE		SHEET NO. 1 OF 1	
SIZE A3 THIS DRAWING CONTAINS INFORMATION THAT IS PROPRIETARY TO MOLEX INCORPORATED AND SHOULD NOT BE USED WITHOUT WRITTEN PERMISSION							

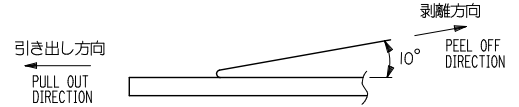
**NOTES**

1. 製品詳細寸法については図面 SD-54684-003 を参照下さい。  
RE DETAILED DIMENSION, SEE SD-54684-003
2. 梱包数量: 1500個/リール  
NUMBER OF CONNECTORS: 1500PCS/REEL
3. リードテープ長さ LEAD TAPE LENGTH

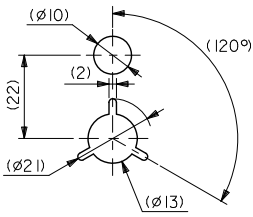
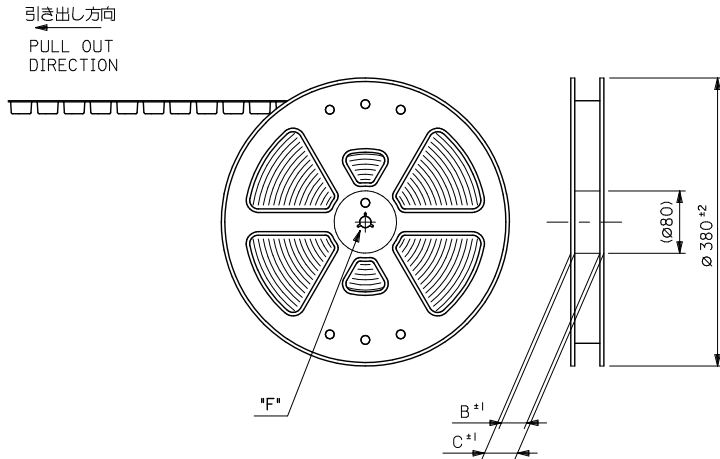


4. トップテープの剥離強度: 0.1N ~ 0.7N (10.2gf ~ 71.4gf)  
(剥離方向は下図参照)

尚、本規格値は出荷時に適用。(但し、輸送時に剥離が発生しないこと。)  
PEELING OFF FORCE OF TOP TAPE: 0.1N ~ 0.7N (10.2gf ~ 71.4gf)  
(PEELING DIRECTION AS SHOWN IN FOLLOWING FIG.)  
THIS REQUIREMENT SHOULD BE APPLIED AT SHIPMENT.  
PEEL OFF SHOULD NOT BE ALLOWED, DURING TRANSPORTATION.



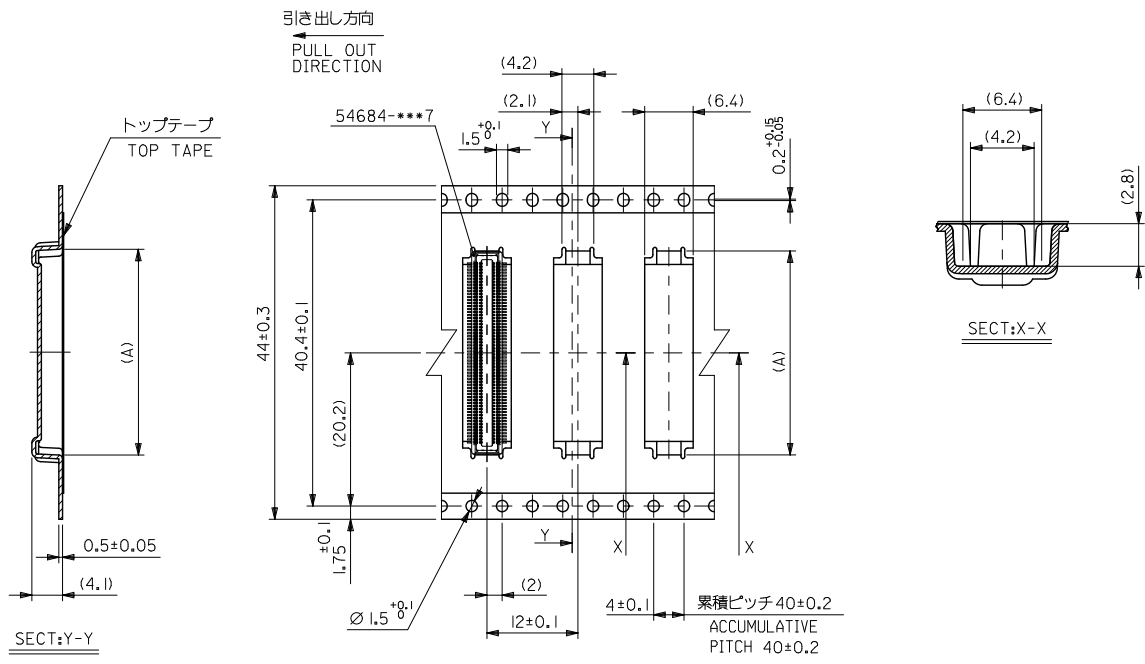
5. 材料 (MATERIAL)  
キャリアテープ (CARRIER TAPE): ポリプロピレン (POLYPROPYLENE)  
トップテープ (TOP TAPE): PET, PE, PEF  
リール (REEL): ポリスチレン (PS) <リサイクル材を含む>  
POLYSTYRENE (PS) <RECYCLE MATERIAL CONTAINED>



**DETAIL \*F\***

MATERIAL 材料		注記参照 SEE NOTES		REVISED REV. NO. J2010-2046 T. ITO: 2010/04/13 CHIKOY. MIZUNO: 2010/04/14 APPR. HISASAO: 2010/04/16		GENERAL TOLERANCES (UNLESS SPECIFIED)		DIMENSION STYLE MM ONLY		SCALE ---		DESIGN UNITS METRIC		MODEL NO. 54684-***8 THIRD ANGLE PROJECTION			
FINISH 仕上り		//		DESCRIPTION		10 UNDER ± 0.2		DRAWN BY S. AIHARA		DATE 1999/10/02		TITLE 0.4 BTB CONN REC HSG ASSY NO BOSS EMBSTP PKG (H=3.5)					
WIRE RANGE 適用電線範囲		//		10 OVER 30 UNDER ± 0.25		30 OVER ± 0.3		CHECKED BY Y. MIZUNO		DATE 2002/03/11		MOLEX INCORPORATED					
INS. RANGE 被覆外径		//		ANGULAR ± 3 °		DRAFT WHERE APPLICABLE MUST REMAIN WITHIN DIMENSIONS		APPROVED BY T. YAMAGUCHI		DATE 2002/03/11		MATERIAL NO. SEE TABLE		DOCUMENT NO. SD-54684-004		SHEET NO. 1 OF 4	
SIZE A3 THIS DRAWING CONTAINS INFORMATION THAT IS PROPRIETARY TO MOLEX INCORPORATED AND SHOULD NOT BE USED WITHOUT WRITTEN PERMISSION																	

10 9 8 7 6 5 4 3 2 1



4mm幅キャリアテープ  
44mm WIDTH CARRIER TAPE

44	49.4	45.4	26.9	54684-1208	I20
キャリアテープ幅 CARRIER TAPE WIDTH	C	B	(A)	MATERIAL NO.	極数 CKT.

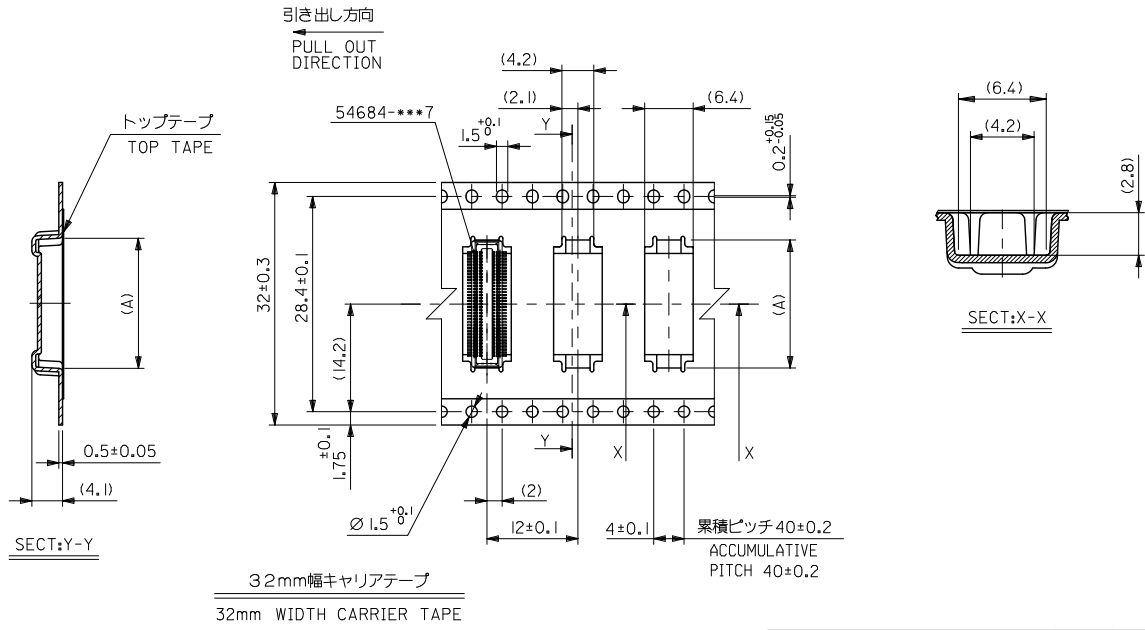
MATERIAL 材料	SHEET 1 OF 3 参照 REFER TO SHEET 1 OF 3
FINISH 仕上げ	//
WIRE RANGE 適用電線範囲	//
INS. RANGE 被覆外径	//

REVISED	REV. NO.	DATE	DESCRIPTION
1	J2010-2046	2010/04/13	DRWN: TARA I. 2010/04/13
2		2010/04/14	CHKD: Y. MIZUNO T. 2010/04/14
3		2010/04/16	APPR: H. SASAO 2010/04/16

GENERAL TOLERANCES (UNLESS SPECIFIED)	
10 UNDER	± 0.2
10 OVER 30 UNDER	± 0.25
30 OVER	± 0.3
ANGULAR ± 3 °	
DRAFT WHERE APPLICABLE MUST REMAIN WITHIN DIMENSIONS	

DIMENSION STYLE MM ONLY	SCALE ---	DESIGN UNITS METRIC	MODEL NO. 54684-***8
DRAWN BY S. AIHARA	DATE 1999/10/02	TITLE 0.4 BTB CONN REC HSG ASSY NO BOSS EMBSTP PKG (H=3.5)	
CHECKED BY Y. MIZUNO T. I	DATE 2002/03/11	MOLEX INCORPORATED	
APPROVED BY T. YAMAGUCHI	DATE 2002/03/11	DOCUMENT NO. SD-54684-004	SHEET NO. 2 OF 4
MATERIAL NO. SEE TABLE			
SIZE A3 THIS DRAWING CONTAINS INFORMATION THAT IS PROPRIETARY TO MOLEX INCORPORATED AND SHOULD NOT BE USED WITHOUT WRITTEN PERMISSION			

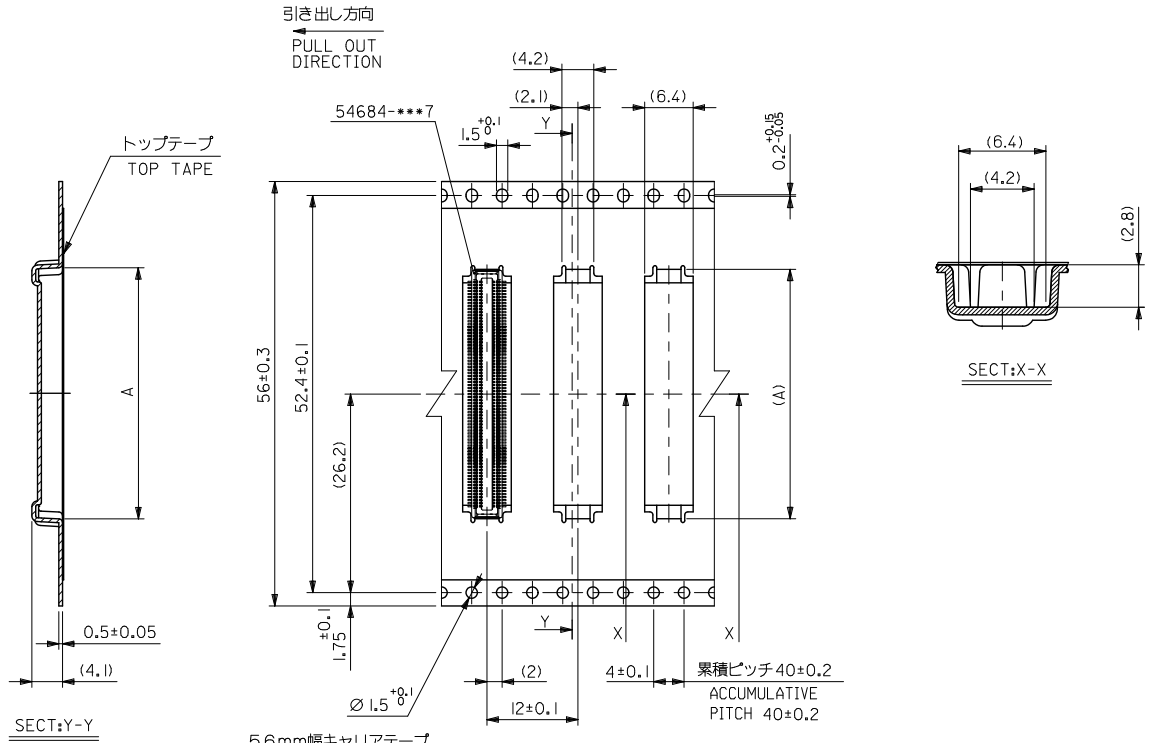
10 9 8 7 6 5 4 3 2 1



32	37.4	33.4	14.9	54684-0608	60
キャリアテープ幅 CARRIER TAPE WIDTH	C	B	(A)	MATERIAL NO.	極数 CKT.
				MODEL NO.	54684-***8

MATERIAL 材料	SHEET 1 OF 3 参照 REFER TO SHEET 1 OF 3	REVISED REV. NO. J2010-2046 T. DRAWN: TARA 01 2010/04/13 CHIKO-Y. MIZUNO 2010/04/14 APPR: HISASAO 2010/04/16	GENERAL TOLERANCES (UNLESS SPECIFIED)	DIMENSION STYLE MM ONLY	SCALE ---	DESIGN UNITS METRIC	THIRD ANGLE PROJECTION
FINISH 仕上げ	//		10 UNDER ± 0.2	DRAWN BY T. TSUBOI	DATE 2002/03/11	TITLE 0.4 BTB CONN REC HSG ASSY NO BOSS EMBSTP PKG (H=3.5)	
WIRE RANGE 適用電線範囲	//		10 OVER 30 UNDER ± 0.25	CHECKED BY Y. MIZUNO	DATE 2002/03/11	MOLEX INCORPORATED	
INS. RANGE 被覆外径	//		30 OVER ± 0.3	APPROVED BY T. YAMAGUCHI	DATE 2002/03/11	DOCUMENT NO. SD-54684-004	
			ANGULAR ± 3 °	MATERIAL NO.		SHEET NO. 3 OF 4	
			DRAFT WHERE APPLICABLE MUST REMAIN WITHIN DIMENSIONS	SIZE A3	THIS DRAWING CONTAINS INFORMATION THAT IS PROPRIETARY TO MOLEX INCORPORATED AND SHOULD NOT BE USED WITHOUT WRITTEN PERMISSION		

10 9 8 7 6 5 4 3 2 1



56mm幅キャリアテープ  
56mm WIDTH CARRIER TAPE

56	61.4	57.4	32.9	54684-1508	I50
キャリアテープ幅 CARRIER TAPE WIDTH	C	B	A	MATERIAL NO.	極数 CIRCUIT

MATERIAL 材料	SHEET 1 OF 3 参照 REFER TO SHEET 1 OF 3
FINISH 仕上り	//
WIRE RANGE 適用電線絶縁	//
INS. RANGE 被覆外径	//

REVISED	EC NO. J2010-2046	2010/04/13
TI	DRWN: TARA 01	2010/04/14
	CHKD: Y. MIZUNO	2010/04/14
	APPR: HISASAO	2010/04/16
REV	DESCRIPTION	

GENERAL TOLERANCES (UNLESS SPECIFIED)	
10 UNDER	± 0.2
10 OVER 30 UNDER	± 0.25
30 OVER	± 0.3
ANGULAR	± 3 °
DRAFT WHERE APPLICABLE MUST REMAIN WITHIN DIMENSIONS	

DIMENSION STYLE MM ONLY	
DRAWN BY	DATE
T. TSUBOI	2002/03/11
CHECKED BY	DATE
Y. MIZUNO	2002/03/11
APPROVED BY	DATE
T. YAMAGUCHI	2002/03/11
MATERIAL NO.	SEE TABLE
SIZE	A3

SCALE	DESIGN UNITS	MODEL NO.	54684-****8
---	METRIC	THIRD ANGLE PROJECTION	
TITLE			
0.4 BTB CONN REC HSG ASS'Y NO BOSS EMBSTP PKG (H=3.5)			
MOLEX INCORPORATED			SHEET NO.
DOCUMENT NO. SD-54684-004			4 OF 4
THIS DRAWING CONTAINS INFORMATION THAT IS PROPRIETARY TO MOLEX INCORPORATED AND SHOULD NOT BE USED WITHOUT WRITTEN PERMISSION			