

## Excellent Integrated System Limited

Stocking Distributor

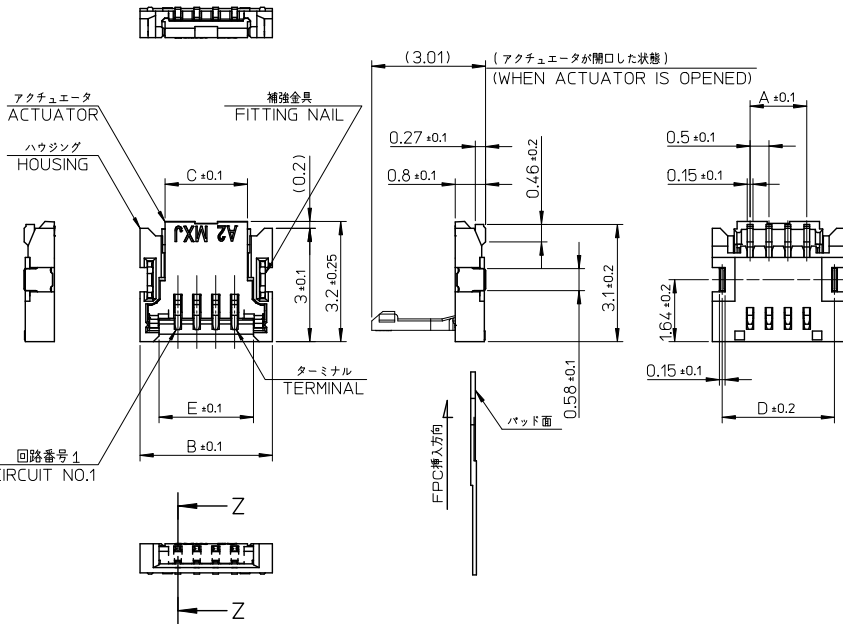
Click to view price, real time Inventory, Delivery & Lifecycle Information:

[Molex Connector Corporation](#)  
[5014610812](#)

For any questions, you can email us directly:

[sales@integrated-circuit.com](mailto:sales@integrated-circuit.com)

10 9 8 7 6 5 4 3 2 1



注記  
NOTES:

1.材質  
MATERIAL  
ハウジング:耐熱性樹脂、ガラス充填、UL94HB、難燃剤使用  
HOUSING:HEAT RESISTANCE POLYMER, GLASS FILLED, UL94HB  
FLAME RETARDANTS FREE  
アクチュエーター:耐熱性樹脂、ガラス充填、UL94HB、難燃剤使用  
ACTUATOR:HEAT RESISTANCE POLYMER, GLASS FILLED, UL94HB  
FLAME RETARDANTS FREE  
ターミナル:銅合金 (t=0.15)  
TERMINAL: COPPER ALLOY (t=0.15)  
補強金具:銅合金 (t=0.15)  
NAIL: COPPER ALLOY (t=0.15)

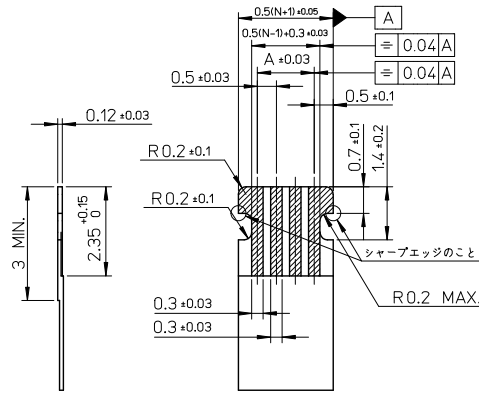
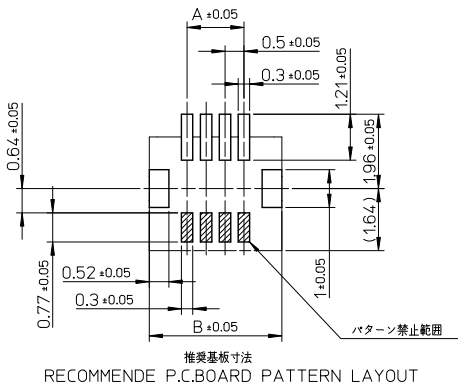
2.めっき仕様  
PLATING  
ターミナル: 部分金メッキ  
接点部 0.1マイクロナメタ以上  
半田付け部 0.05マイクロナメタ以上  
TERMINAL: SEPARATED GOLD PLATING  
CONTACT AREA 0.1 MICROMETER MINIMUM.  
SOLDER TAIL AREA 0.05 MICROMETER MINIMUM.  
下地 ニッケルメッキ 1.0マイクロナメタ以上  
UNDER PLATING, NICKEL PLATING 1.0 MICROMETER MINIMUM.  
補強金具: 銅メッキ 1.0マイクロナメタ以上  
NAIL: TIN PLATING 1.0 MICROMETER MINIMUM.  
下地 ニッケルメッキ 1.0マイクロナメタ以上  
UNDER PLATING, NICKEL PLATING 1.0 MICROMETER MINIMUM.

3.平坦度は、0.1mm以下とする。  
TAILS AND NAILS COPLANARITY TO BE 0.1mm MAXIMUM.

4.ELV AND RoHS COMPLIANT.

4.5	4.97	4.18	5.5	3.5	501461-0812	501461-0818	8
E	D	C	B	A	エンボス梱包品 EMBOSSED PACKAGING	製品番号 MATERIAL NO.	極数(N) CIRCUITS(N)
RELEASED EC NO. J2011-0733 DRAWN BY AI SHI I 2010/11/29 CHKD: TAKAHASHI 2010/11/29 APPR: KMORIKAWA 2010/12/01					GENERAL TOLERANCES (UNLESS SPECIFIED)	DIMENSION STYLE MM ONLY	SCALE 10:1
REV A					10 UNDER ±0.2 10 OVER 30 UNDER ±0.25 30 OVER ±0.3	DRAWN BY DATE AI SHI I 2010/11/29	DESIGN UNITS METRIC
DESCRIPTION					ANGULAR ±1°	CHECKED BY DATE TAKAHASHI 2010/11/29	THIRD ANGLE PROJECTION
DRAFT WHERE APPLICABLE MUST REMAIN WITHIN DIMENSIONS					APPROVED BY DATE KMORIKAWA 2010/12/01	TITLE 0.5 FPC CONN BACK FLIP HGT=0.8 HSG ASSY	
					MATERIAL NO.	MOLEX INCORPORATED	
					SEE TABLE	DOCUMENT NO. SD-501461-007	SHEET NO. 1 OF 2
					SIZE A3	THIS DRAWING CONTAINS INFORMATION THAT IS PROPRIETARY TO MOLEX INCORPORATED AND SHOULD NOT BE USED WITHOUT WRITTEN PERMISSION	

10 9 8 7 6 5 4 3 2 1

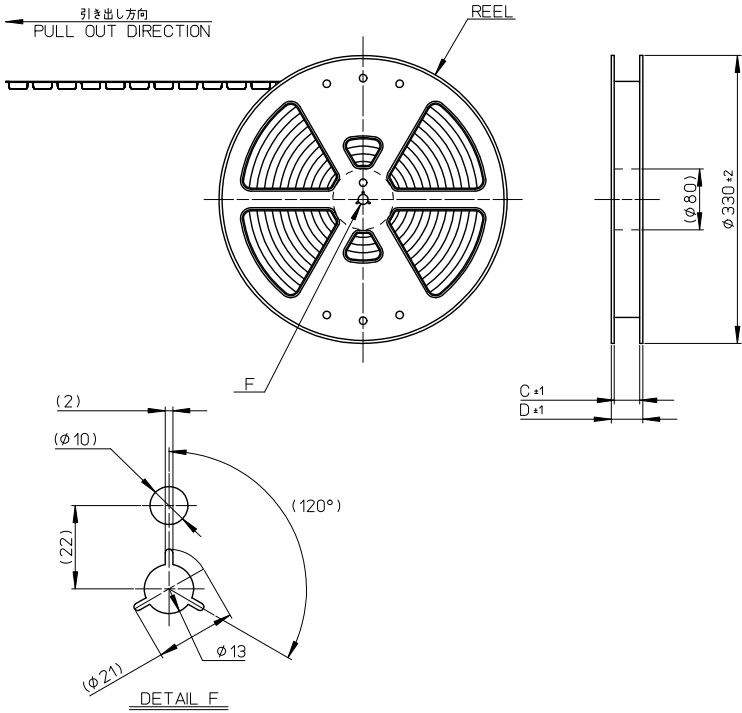


FPCについて:  
抜き方向は、導体側から補強板側を推奨します。  
補強フィルム材質は、ポリイミドを推奨します。  
接着剤は、熱硬化接着剤を推奨します。  
尚、接着剤の接点部への付着は、導通不良の原因となりますので染み出しが無いよう、お願いします。

ABOUT FPC:  
RECOMMENDED PUNCHER DIRECTION:  
FROM CONDUCTOR SIDE TO STIFFNER FILM SIDE.  
RECOMMENDED MATERIAL:  
STIFFNER FILM: POLYIMIDE  
BONDING AGENT: THERMOSETTING AGENT  
PLEASE PUT APPROPRIATE AMOUNT OF ADHESIVE MAY CAUSE  
THE DEFECT IN ELECTRICAL CONTINUITY.

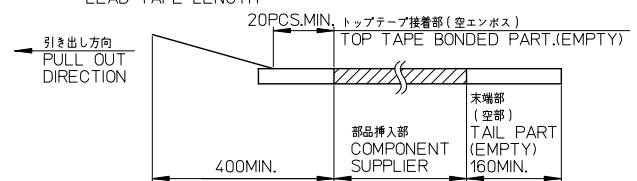
RELEASED EC NO. J2011-0733 DRAWN BY: DRWNAISHII CHECKED BY: CHIKDKTAKAHASHI APPROVED BY: KMORIKAWA	GENERAL TOLERANCES (UNLESS SPECIFIED)		DIMENSION STYLE MM ONLY		SCALE 10:1	DESIGN UNITS METRIC	THIRD ANGLE PROJECTION
	10 UNDER	± 0.2	DRAWN BY AISHII	DATE 2010/11/29	TITLE 0.5 FPC CONN BACK FLIP HGT=0.8 HSG ASSY		
	10 OVER	30 UNDER	± 0.25	CHECKED BY KTAKAHASHI	DATE 2010/11/29	MOLEX INCORPORATED	
	30 OVER	± 0.3	APPROVED BY KMORIKAWA	DATE 2010/12/01			
ANGULAR	± 1	MATERIAL NO.	SEE SHEET 1	DOCUMENT NO. SD-501461-007	SHEET NO. 2 OF 2		
REV A	DRAFT WHERE APPLICABLE MUST REMAIN WITHIN DIMENSIONS		THIS DRAWING CONTAINS INFORMATION THAT IS PROPRIETARY TO MOLEX INCORPORATED AND SHOULD NOT BE USED WITHOUT WRITTEN PERMISSION				

10 9 8 7 6 5 4 3 2 1



**NOTES**

- 1.製品詳細寸法については製品単体図面を参照下さい。  
RE DETAILED DIMENSION, SEE PRODUCT DRAWING.
- 2.梱包数量: 3000個/リール  
NUMBER OF CONNECTORS 3000PCS/REEL
- 3.リードテープ長さ  
LEAD TAPE LENGTH

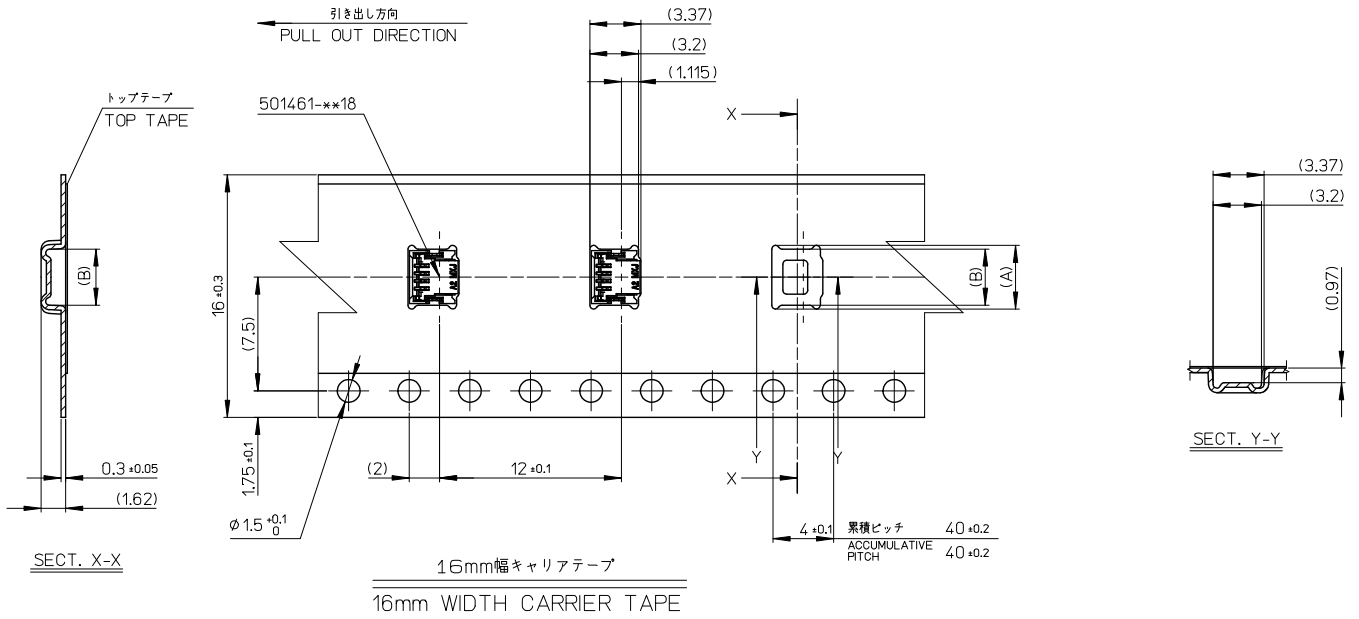


- 4.材料  
MATERIAL  
キャリアテープ(CARRIAGE TAPE): ポリスチレン (POLYSTYRENE)  
トップテープ(TOP TAPE): PET, PE, PEF  
リール(REEL): ポリスチレン (PS) <リサイクル材を含む>  
POLYSTYRENE(PS) <RECYCLE MATERIAL CONTAINED>
- 5.ELV及びRoHS適合品。  
ELV AND RoHS COMPLIANT.

REVISED IEC NO: J2013-1055 DRAWN BY: DRWMSANIMA 2013/03/26 CHECKED BY: CHIKDKTAKAHASHI 2013/03/26 APPROVED BY: APPR:KMORIKAWA 2013/04/03	GENERAL TOLERANCES (UNLESS SPECIFIED)		DIMENSION STYLE		SCALE	DESIGN UNITS	MODEL NO.
	(UNLESS SPECIFIED)		MM ONLY		---	METRIC	501461-***12
	10 UNDER	±0.2	DRAWN BY	DATE	TITLE		
	10 OVER	±0.25	AISHII	2010/11/29	0.5 FPC CONN BACK FLIP H=0.8 EMBSTP PKG		
30 UNDER	±0.25	CHECKED BY	DATE	THIRD ANGLE PROJECTION			
30 OVER	±0.3	KTAKAHASHI	2010/11/29	molex			
ANGULAR	±1	APPROVED BY	DATE	DOCUMENT NO.			
DRAFT WHERE APPLICABLE MUST REMAIN WITHIN DIMENSIONS		KNORIKAWA	2010/12/01	SD-501461-008			
		MATERIAL NO.		SHEET NO.			
		SEE SHEET 2		1 OF 2			
		THIS DRAWING CONTAINS INFORMATION THAT IS PROPRIETARY TO MOLEX INCORPORATED AND SHOULD NOT BE USED WITHOUT WRITTEN PERMISSION					

9 8 7 6 5 4 3 2 1

10 9 8 7 6 5 4 3 2 1



16	21.4	17.4	5.7	6.2	501461-0812	8
キャリアテープ幅 CARRIER TAPE WIDTH	D	C	(B)	(A)	MATERIAL NO.	極数 CIRCUITS

SEE SHEET 1 IEC NO. J2013-055 DRAWN BY DRW:SANIWA 2013/03/26 CHK:KTAKASHI 2013/03/26 APPR:KMORIKAWA 2013/04/03	GENERAL TOLERANCES (UNLESS SPECIFIED)		DIMENSION STYLE MM ONLY		SCALE ---	DESIGN UNITS METRIC	THIRD ANGLE PROJECTION
	10 UNDER	±0.2	DRAWN BY	DATE	TITLE		
	10 OVER 30 UNDER	±0.25	AISHII	2010/11/29	0.5 FPC CONN BACK FLIP H=0.8 EMBSTP PKG		
	30 OVER	±0.3	CHECKED BY	DATE	<b>molex</b> DOCUMENT NO. SD-501461-008 SHEET NO. 2 OF 2		
ANGULAR	±1	KTAKASHI	2010/11/29				
DRAFT WHERE APPLICABLE MUST REMAIN WITHIN DIMENSIONS		APPROVED BY	DATE	SEE TABLE			
		KMORIKAWA	2010/12/01	THIS DRAWING CONTAINS INFORMATION THAT IS PROPRIETARY TO MOLEX INCORPORATED AND SHOULD NOT BE USED WITHOUT WRITTEN PERMISSION			

9 8 7 6 5 4 3 2