

Excellent Integrated System Limited

Stocking Distributor

Click to view price, real time Inventory, Delivery & Lifecycle Information:

[Molex Connector Corporation](#)
[0002091199](#)

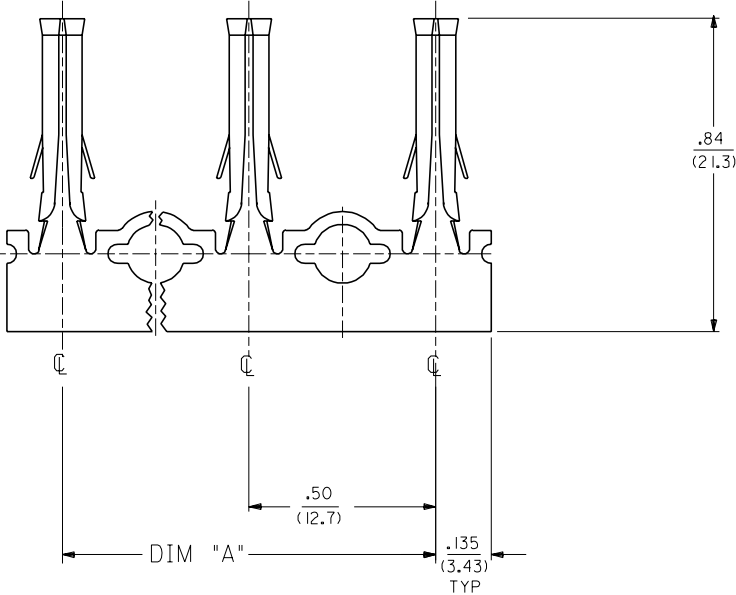
For any questions, you can email us directly:

sales@integrated-circuit.com

PART NO.	ENG. NO.	CIRCUIT SIZE	DIM "A"
02-09-1199	42299-A	CHAIN FORM	---
PRELIMINARY	42299-A2	2	0.50 (12.7)
PRELIMINARY	42299-A3	3	1.00 (25.4)
PRELIMINARY	42299-A4	4	1.50 (38.1)
PRELIMINARY	42299-A5	5	2.00 (50.8)

NOTES:

- 1. MATERIAL: 70/30 BRASS, .010/(0.25) TH'K.
- 2. FINISH:
A = HOT TIN DIP 20 mi - 80 mi/(0.51 - 2.0) MIN.
(SEE SDES-88-P90)
- 3. TERMINALS FURNISHED IN CHAIN UNLESS SPECIFIED OTHERWISE. SUFFIX INDICATES SPECIFIED CIRCUIT SIZE CUT LENGTH.



LEGEND:

42299-***

BASE NUMBER
PLATING CODE (SEE NOTE 2)
FORM: BLANK = CHAIN
= SPECIFIED CUT CIRCUIT SIZE (SEE NOTE 3)

--	I	A	A	FINAL RELEASE
MFG.	SH.	REV.	LTR.	ERO 28874
				89/9/6 G.COMSTOCK
				REVISIONS

DIMENSIONS SHOWN IN METRIC INCH		UNLESS OTHERWISE SPECIFIED TOLERANCES: ANGULAR ± 1/2°		REVISIONS	
3 PLACE	± .010	---	---	REVISE ONLY ON CAD SYSTEM	
2 PLACE	± .014	± 0.25	---	TITLE	
1 PLACE	---	± 0.35	---	FEMALE TERMINAL CHAIN FORM, .093/(2.36) DIA.	
DRAFT WHERE APPLICABLE MUST REMAIN WITHIN DIMENSIONS				MOLEX INCORPORATED	
DRAWG. NO. SD-42299-***				SHEET NO. 1 OF 1	
DATE 89/9/6				U.S.A.	
DRAWG. NO. SD-42299-***				DATE 89/9/6	
DRAWG. NO. SD-42299-***				DATE 89/9/6	
DRAWG. NO. SD-42299-***				DATE 89/9/6	