

## Excellent Integrated System Limited

Stocking Distributor

Click to view price, real time Inventory, Delivery & Lifecycle Information:

[Molex Connector Corporation](#)  
[0458415000](#)

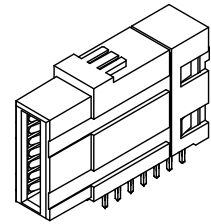
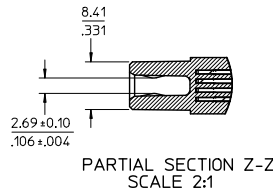
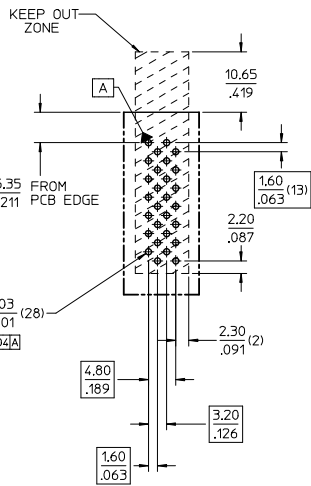
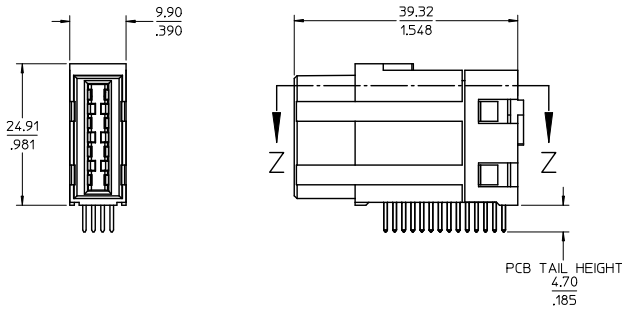
For any questions, you can email us directly:

[sales@integrated-circuit.com](mailto:sales@integrated-circuit.com)

ASSEMBLY MATERIAL NUMBER	DESCRIPTION
45841-5000	POWER RECEPTACLE MODULE - 150 AMP

NOTES:

1. MATERIALS:  
-HOUSING: 30% GLASS FILLED, LCP 94V-0, COLOR: BLACK,  
-TERMINALS: COPPER ALLOY.  
  
PLATING: PER ES-88-228  
-30 μ INCH MIN. SELECT HARD GOLD IN CONTACT AREA ONLY,  
-100 μ INCH MIN. SELECT TIN IN TAIL AREA OVER  
-50 μ INCH MIN. NICKEL OVERALL.
2. LUBRICATION: EB1 IN CONTACT AREA.
3. REFERENCE DOCUMENT: PS-75431-999.
- (A2) 4. RECEPTACLE MATES WITH PLUG ASSEMBLIES: 75556-5000 & 75556-5100.
5. MODULE ASSEMBLY IS ROHS COMPLIANT.
6. MODULES TO BE UL & CSA LISTED PER UL-1977.
7. RECOMMENDED PCB THICKNESS 2.36/.093 MIN.
8. FINAL ASSEMBLY TO BE PACKAGED AND LABELED PER PACKAGING KIT DRAWING NUMBER PK-45841-500



REQUIRED PCB LAYOUT  
SCALE 2:1

<b>REV NOTE</b> EC NO: UGP2008-1004 DRAWN: JDTLES 2007/11/01 CHKD: 2007/11/01 APPR: APATEL 2007/11/01 REV A2	<b>QUALITY SYMBOLS</b> ∇=0 ∇=0 ∇=0	<b>GENERAL TOLERANCES (UNLESS SPECIFIED)</b>		<b>DIMENSION STYLE</b> MM/IN		SCALE 2:1	DESIGN UNITS METRIC	THIRD ANGLE PROJECTION	
		4 PLACES ± --- ± --- 3 PLACES ± --- ± .010 2 PLACES ± 0.25 ± .010 1 PLACE ± 0.25 ± ---		DRAWN BY DATE BKOSTIC 2006/08/15 CHECKED BY DATE BKOSTIC 2006/08/15 APPROVED BY DATE APATEL 2006/08/15		TITLE POWER RECEPTACLE MODULE COPLANAR SYS, 150A POWER DOCK SR.			
		ANGULAR ± 1/2°		MATERIAL NO. SEE CHART		MOLEX INCORPORATED DOCUMENT NO. SD-45841-100			
		DRAFT WHERE APPLICABLE MUST REMAIN WITHIN DIMENSIONS		SIZE C		THIS DRAWING CONTAINS INFORMATION THAT IS PROPRIETARY TO MOLEX INCORPORATED AND SHOULD NOT BE USED WITHOUT WRITTEN PERMISSION			