



Distributor of Molex Connector Corporation: Excellent Integrated System Limited
Datasheet of 0471510102 - Connector Receptacle HDMI 19 Position Surface Mount, Right
Angle, Horizontal

Contact us: sales@integrated-circuit.com Website: www.integrated-circuit.com

Excellent Integrated System Limited

Stocking Distributor

Click to view price, real time Inventory, Delivery & Lifecycle Information:

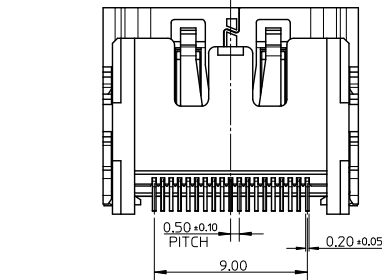
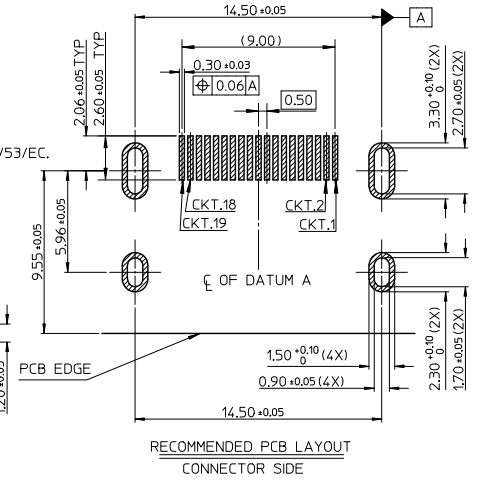
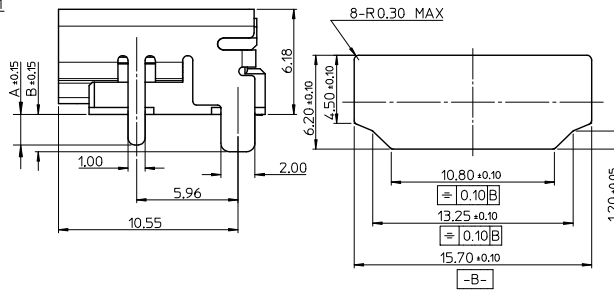
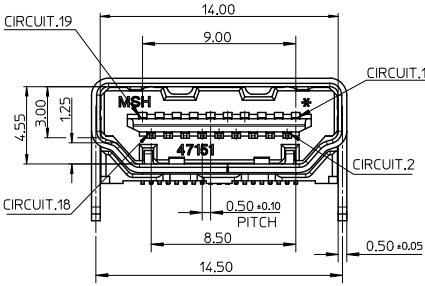
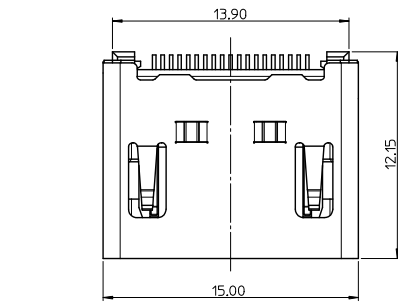
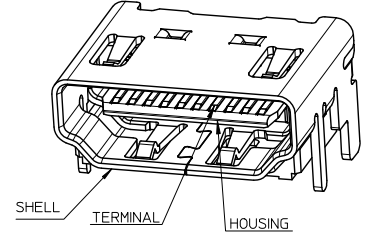
[Molex Connector Corporation](#)
[0471510102](#)

For any questions, you can email us directly:
sales@integrated-circuit.com

Contact us: sales@integrated-circuit.com Website: www.integrated-circuit.com

NOTES:

1. MATERIAL:
HOUSING: THERMOPLASTIC, GLASS-FILLED, UL 94V-0, COLOR: SEE TABLE.
SHELL: COPPER ALLOY.
TERMINAL: COPPER ALLOY.
2. PLATING:
TERMINAL:
CONTACT AREA: (1) 0.76 MICROMETER MIN. GOLD PLATING.
(2) 0.25 MICROMETER MIN. GOLD PLATING.
(3) GOLD FLASH.
(4) 0.375 MICROMETER MIN. GOLD PLATING.
SOLDER AREA: 1 MICROMETER MIN. TIN-BISMUTH ALLOY PLATED.
UNDER PLATE: 1.27 MICROMETER MIN. NICKEL.
SHELL: (a) 1.27 MICROMETER MIN. SOLDERABLE NICKEL PLATE OVERALL.
(b) GOLD FLASH PLATING OVER 1.27 MICROMETER MIN. NICKEL PLATING OVERALL.
3. COPLANARITY IS 0.1MM MAX.
4. PRODUCT SPECIFICATION REFER TO PS-47152-001.
5. PACKAGE SPECIFICATION FOR WITHOUT FLANGE REFER TO PK-47151-001.
6. PRODUCT COMPLIANT TO RoHS DIRECTIVE 2011/65/EU AND ELV DIRECTIVE 2000/53/EC.

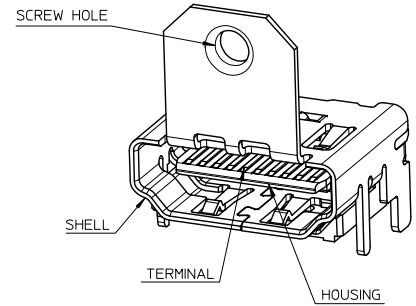
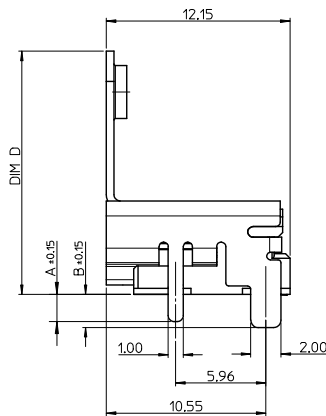
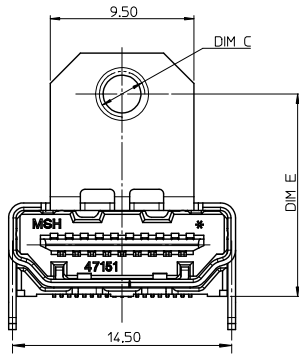
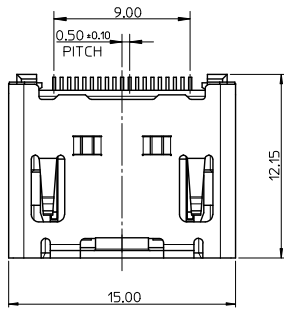


RECOMMENDED PANEL CUT OUT DIMENSION

RECOMMENDED PCB LAYOUT
CONNECTOR SIDE

REVISE NOTE EC NO: S2014-0536 L1 DRW: FCS00 CHKD: JTANZ APPR: XHLIM	DESCRIPTION 2013/12/05 2013/12/17 2013/12/20	QUALITY SYMBOLS 	GENERAL TOLERANCES (UNLESS SPECIFIED)		DIMENSION STYLE MM ONLY		SCALE NTS	DESIGN UNITS METRIC	THIRD ANGLE PROJECTION	
			mm	INCH	DRAWN BY	DATE				TITLE 1.0 HDMI RIGHT ANGLE HEADER ASSEMBLY(19 PIN) LEAD FREE molex
			4 PLACES ±---	±---	RZHANG	2004/07/20				
			3 PLACES ±---	±---	CHECKED BY	DATE				
2 PLACES ±0.25	±---	GRMA	2004/07/20							
1 PLACE ±0.25	±---	APPROVED BY	DATE	MATERIAL NO. SEE SHEET 6	DOCUMENT NO. SD-47151-001	SHEET NO. 1 OF 8				
0 PLACE ±	±	YTYAP	2004/07/20							
DRAFT WHERE APPLICABLE MUST REMAIN WITHIN DIMENSIONS			THIS DRAWING CONTAINS INFORMATION THAT IS PROPRIETARY TO MOLEX INCORPORATED AND SHOULD NOT BE USED WITHOUT WRITTEN PERMISSION							

Contact us: sales@integrated-circuit.com Website: www.integrated-circuit.com



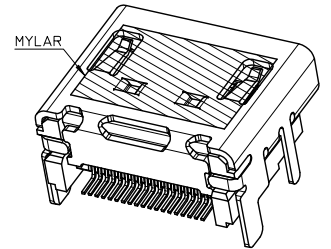
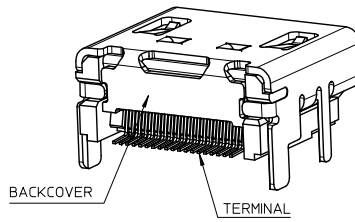
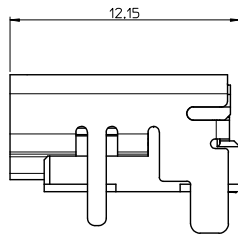
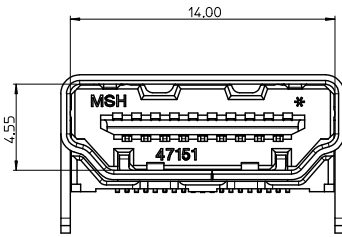
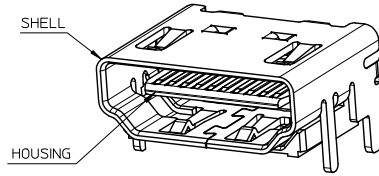
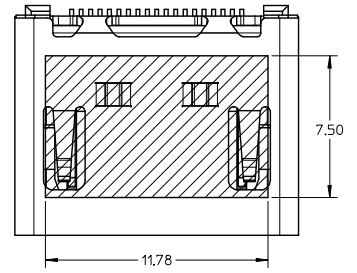
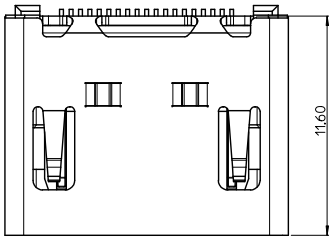
NOTES:

1. THE UNSPECIFIED DIMENSIONS REFER TO SHEET 1.
2. PACKAGE SPECIFICATION FOR WITH FLANGE REFER TO PK-47151-002.

REVISE NOTE EC NO: S2014-0536 DRW: FCS00 CHKD: JIAN2 APPR: KLLIM	2013/12/05 2013/12/17 2013/12/20	QUALITY SYMBOLS ▽=0 ▽=0 ▽=0	GENERAL TOLERANCES (UNLESS SPECIFIED)		DIMENSION STYLE		SCALE	DESIGN UNITS	THIRD ANGLE PROJECTION	
					MM ONLY		NTS	METRIC		
					DRAWN BY RZHANG		DATE 2004/07/20	TITLE		
					CHECKED BY GRMA		DATE 2004/07/20	1.0 HDMI RIGHT ANGLE HEADER ASSEMBLY(19 PIN) LEAD FREE		
		APPROVED BY YTYAP		DATE 2004/07/20	MATERIAL NO.		DOCUMENT NO.		SHEET NO.	
L1		DRAFT WHERE APPLICABLE MUST REMAIN WITHIN DIMENSIONS		SEE SHEET 6		SD-47151-001		2 OF 8		

Contact us: sales@integrated-circuit.com Website: www.integrated-circuit.com

WITH BACK COVER

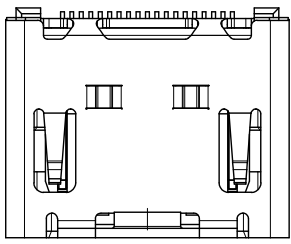


NOTES:

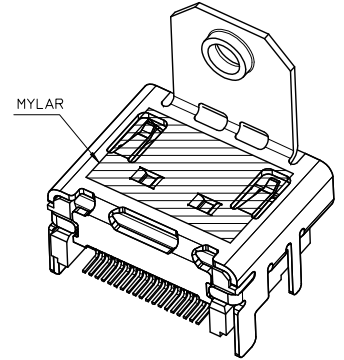
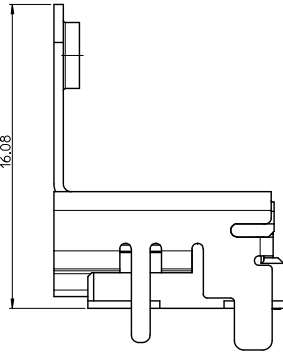
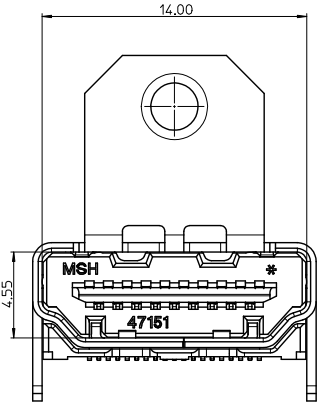
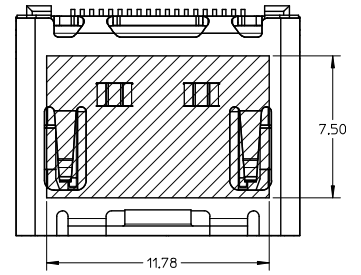
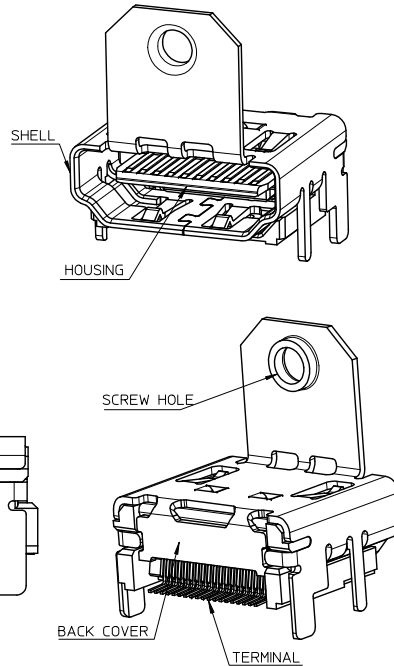
1. THE UNSPECIFIED DIMENSIONS REFER TO 47151-0001.
2. PACKAGE SPECIFICATION FOR WITHOUT FLANGE REFER TO PK-47151-001.

REVISE NOTE EC NO: S2014-0536 DRAWN: FCS00 CHKD: JIANQZ APPR: KHLIM	2013/12/05	2013/12/17	2013/12/20	QUALITY SYMBOLS $\nabla=0$ $\nabla=0$ $\nabla=0$	GENERAL TOLERANCES (UNLESS SPECIFIED)		DIMENSION STYLE MM ONLY		SCALE NTS	DESIGN UNITS METRIC	THIRD ANGLE PROJECTION		
	DESCRIPTION	4 PLACES	3 PLACES		2 PLACES	1 PLACE	0 PLACE	DRAWN BY RZHANG	DATE THIS SHEET ONLY FOR 47151-1061/1071/1081 2004/07/20	CHECKED BY GRMA	DATE 2004/07/20	THIS DRAWING IS ONLY FOR 47151-1061/1071/1081 1.0 HDMI RIGHT ANGLE HEADER ASSEMBLY(19 PIN) LEAD FREE molex	
	REV	±	±		±	±	±	APPROVED BY YTYAP	DATE 2004/07/20	MATERIAL NO. SEE SHEET 6	DOCUMENT NO. SD-47151-001		SHEET NO. 3 OF 8
		ANGULAR	± 3°		DRAFT WHERE APPLICABLE MUST REMAIN WITHIN DIMENSIONS		SIZE A3	THIS DRAWING CONTAINS INFORMATION THAT IS PROPRIETARY TO MOLEX INCORPORATED AND SHOULD NOT BE USED WITHOUT WRITTEN PERMISSION					

Contact us: sales@integrated-circuit.com Website: www.integrated-circuit.com



WITH BACK COVER



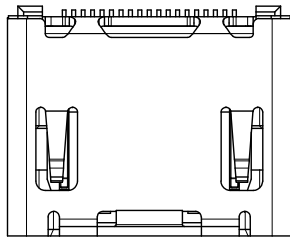
THIS IS ONLY FOR
47151-1025/1075/1085/6022/6032/1026/2062

NOTES:

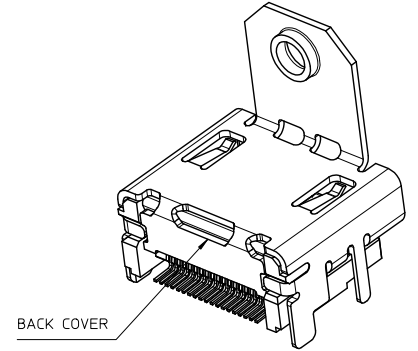
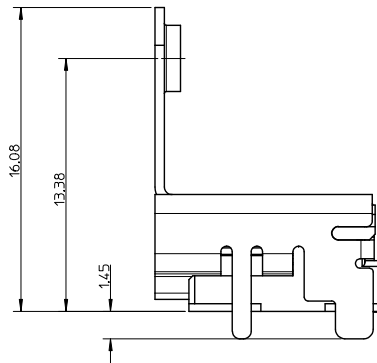
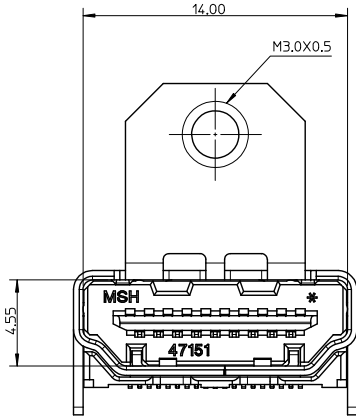
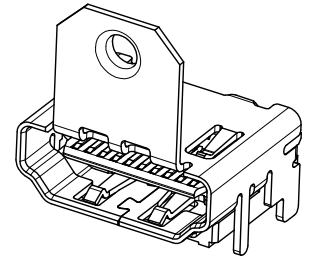
1. THE UNSPECIFIED DIMENSIONS REFER TO 47151-0002.
2. PACKAGE SPECIFICATION FOR WITH FLANGE:
OPTION 1: 47151-1026/2062/6032 REFER TO PK-47151-005,
OPTION 2: 47151-1102 REFER TO PK-47151-003,
OPTION 3: OTHER PART NUMBER REFER TO PK-47151-002.

REVISE NOTE EC NO: S2014-0536 2013/12/05 DRW: FCS00 CHKD: JIANZ 2013/12/17 APPR: KHLIN 2013/12/20	QUALITY SYMBOLS	GENERAL TOLERANCES (UNLESS SPECIFIED)	DIMENSION STYLE	SCALE	DESIGN UNITS	THIRD ANGLE PROJECTION	
	∇=0 ∇=0 ∇=0	4 PLACES ± --- ± --- 3 PLACES ± --- ± --- 2 PLACES ± 0.25 ± --- 1 PLACE ± 0.25 ± --- 0 PLACE ± ±	MM ONLY	NTS	METRIC	DRAWN BY: RZHANG DATE: 2004/07/20 CHECKED BY: GRMA DATE: 2004/07/20 APPROVED BY: YTYAP DATE: 2004/07/20	TITLE
		ANGULAR ± 3 °					1.0 HDMI RIGHT ANGLE HEADER ASSEMBLY(19 PIN) LEAD FREE
		DRAFT WHERE APPLICABLE MUST REMAIN WITHIN DIMENSIONS					molex DOCUMENT NO. SD-47151-001 SHEET NO. 4 OF 8
			SEE SHEET 6			THIS DRAWING CONTAINS INFORMATION THAT IS PROPRIETARY TO MOLEX INCORPORATED AND SHOULD NOT BE USED WITHOUT WRITTEN PERMISSION	

Contact us: sales@integrated-circuit.com Website: www.integrated-circuit.com



WITHOUT TOP HOLE



- NOTES:
 1. THE UNSPECIFIED DIMENSIONS REFER TO 47151-1102.
 2. PACKAGE SPECIFICATION FOR WITH FLANGE REFER TO PK-47151-002.

REVISE NOTE EC NO. S2014-0536 DRAWN BY: 2013/12/05 CHKD: JIAN2 2013/12/17 APPR: KILIM 2013/12/20	QUALITY SYMBOLS 	GENERAL TOLERANCES (UNLESS SPECIFIED)		DIMENSION STYLE MM ONLY		SCALE NTS	DESIGN UNITS METRIC	THIRD ANGLE PROJECTION	
		4 PLACES ±	±	DRAWN BY	DATE	TITLE			
		3 PLACES ±	±	RZHANG	2004/07/20	1.0 HDMI RIGHT ANGLE HEADER ASSEMBLY(19 PIN) LEAD FREE			
		2 PLACES ±0.25	±	CHECKED BY	DATE				
1 PLACE ±0.25	±	GRMA	2004/07/20						
0 PLACE ±	±	APPROVED BY	DATE	MATERIAL NO.		DOCUMENT NO.		SHEET NO.	
ANGULAR ± 3 ° DRAFT WHERE APPLICABLE MUST REMAIN WITHIN DIMENSIONS		SEE SHEET 6		SD-47151-001		5 OF 8		THIS DRAWING CONTAINS INFORMATION THAT IS PROPRIETARY TO MOLEX INCORPORATED AND SHOULD NOT BE USED WITHOUT WRITTEN PERMISSION	

Contact us: sales@integrated-circuit.com Website: www.integrated-circuit.com

ASSEMBLY P/N	DIMENSION					FEATURE				HOUSING COLOUR	GOLD PLATING IN CONTACT AREA	SHELL PLATING	REMARK	
	DIM A	DIM B	DIM C	DIM D	DIM E	FLANGE	BACK COVER	TOP HOLES	MYLAR					
47151-0001											SEE NOTE 2 (1)		FOR SHEET 1	
47151-0041										BLACK	SEE NOTE 2 (2)	SEE NOTE 2 (a)		
47151-0051											SEE NOTE 2 (3)			
47151-0011											SEE NOTE 2 (1)			
47151-0071	1.80	2.20	/	/	/	W/O	W/O	WITH	W/O	NATURE	SEE NOTE 2 (2)	SEE NOTE 2 (b)		
47151-0061											SEE NOTE 2 (3)			
47151-0021										BLACK	SEE NOTE 2 (1)	SEE NOTE 2 (b)		
47151-0031										NATURE	SEE NOTE 2 (1)			
47151-0101											SEE NOTE 2 (1)	FOR SHEET 2		
47151-0141										BLACK	SEE NOTE 2 (2)			SEE NOTE 2 (a)
47151-0151											SEE NOTE 2 (3)			
47151-0111											SEE NOTE 2 (1)			
47151-0181	1.45	1.45	/	/	/	W/O	W/O	WITH	W/O	NATURE	SEE NOTE 2 (2)		SEE NOTE 2 (b)	
47151-0161											SEE NOTE 2 (3)			
47151-0121										BLACK	SEE NOTE 2 (1)		SEE NOTE 2 (b)	
47151-0131										NATURE	SEE NOTE 2 (1)			
47151-0002											SEE NOTE 2 (1)		FOR SHEET 2	
47151-0042										BLACK	SEE NOTE 2 (2)			SEE NOTE 2 (a)
47151-0062											SEE NOTE 2 (3)			
47151-0012											SEE NOTE 2 (1)			
47151-0052	1.80	2.20	M3.0X0.5	16.08	13.38	WITH	W/O	WITH	W/O	NATURE	SEE NOTE 2 (2)	SEE NOTE 2 (b)		
47151-0072											SEE NOTE 2 (3)			
47151-0022										BLACK	SEE NOTE 2 (1)	SEE NOTE 2 (b)		
47151-0032										NATURE	SEE NOTE 2 (1)			
47151-0102											SEE NOTE 2 (1)	FOR SHEET 2		
47151-0142										BLACK	SEE NOTE 2 (2)			SEE NOTE 2 (a)
47151-0162											SEE NOTE 2 (3)			
47151-0112											SEE NOTE 2 (1)			
47151-0152	1.45	1.45	M3.0X0.5	16.08	13.38	WITH	W/O	WITH	W/O	NATURE	SEE NOTE 2 (2)		SEE NOTE 2 (b)	
47151-0172											SEE NOTE 2 (3)			
47151-0122										BLACK	SEE NOTE 2 (1)		SEE NOTE 2 (b)	
47151-0132										NATURE	SEE NOTE 2 (1)			
47151-6002											SEE NOTE 2 (1)		SEE NOTE 2 (a)	
47151-6062	1.80	2.20	M3.0X0.5	14.25	11.28	WITH	W/O	WITH	W/O	BLACK	SEE NOTE 2 (2)			
47151-6082											SEE NOTE 2 (3)			
47151-6102											SEE NOTE 2 (1)			
47151-6172	1.45	1.45	M3.0X0.5	14.25	11.28	WITH	W/O	WITH	W/O	BLACK	SEE NOTE 2 (2)			
47151-6162											SEE NOTE 2 (3)			

REVISE NOTE EC. NO.: S2014-0536 DRAWN BY: 2013/12/05 CHKD: JIAN2 2013/12/17 APPR: KILLIM 2013/12/20	QUALITY SYMBOLS $\sqrt{\text{A}}=0$ $\sqrt{\text{B}}=0$ $\sqrt{\text{C}}=0$	GENERAL TOLERANCES (UNLESS SPECIFIED)		DIMENSION STYLE		SCALE	DESIGN UNITS	THIRD ANGLE PROJECTION
				MM ONLY		NTS	METRIC	
				DRAWN BY: RZHANG DATE: 2004/07/20		TITLE: 1.0 HDMI RIGHT ANGLE HEADER ASSEMBLY(19 PIN) LEAD FREE		
				CHECKED BY: GRMA DATE: 2004/07/20		APPROVED BY: YTYAP DATE: 2004/07/20		
		ANGULAR $\pm 3^\circ$		MATERIAL NO. SEE SHEET 6		DOCUMENT NO. SD-47151-001		SHEET NO. 6 OF 8
		DRAFT WHERE APPLICABLE MUST REMAIN WITHIN DIMENSIONS		THIS DRAWING CONTAINS INFORMATION THAT IS PROPRIETARY TO MOLEX INCORPORATED AND SHOULD NOT BE USED WITHOUT WRITTEN PERMISSION				

Contact us: sales@integrated-circuit.com Website: www.integrated-circuit.com

ASSEMBLY P/N	DIMENSION					FEATURE				HOUSING COLOUR	GOLD PLATING IN CONTACT AREA	SHELL PLATING	REMARK
	DIM A	DIM B	DIM C	DIM D	DIM E	FLANGE	BACK COVER	TOP HOLES	MYLAR				
47151-1001	1.80	2.20	/	/	/	W/O	WITH	WITH	W/O	BLACK			SEE NOTE 2 (1)
47151-1041													SEE NOTE 2 (2)
47151-1051													SEE NOTE 2 (3)
47151-1003													SEE NOTE 2 (4)
47151-1061													SEE NOTE 2 (1)
47151-1071													SEE NOTE 2 (2)
47151-1081													SEE NOTE 2 (3)
47151-1011													SEE NOTE 2 (1)
47151-1211													SEE NOTE 2 (2)
47151-1311													SEE NOTE 2 (3)
47151-1021													SEE NOTE 2 (1)
47151-1091													SEE NOTE 2 (3)
47151-1031													SEE NOTE 2 (1)
47151-1101													SEE NOTE 2 (1)
47151-1141	1.45	1.45	/	/	/	W/O	WITH	WITH	W/O	BLACK			SEE NOTE 2 (2)
47151-1151													SEE NOTE 2 (3)
47151-1111													SEE NOTE 2 (1)
47151-1161													SEE NOTE 2 (2)
47151-1171													SEE NOTE 2 (3)
47151-1121													SEE NOTE 2 (1)
47151-1131													SEE NOTE 2 (1)
47151-7102													SEE NOTE 2 (1)
47151-7142	1.45	1.45	max0.05	16.08	13.38	WITH	WITH	W/O	W/O	BLACK			SEE NOTE 2 (2)
47151-7162													SEE NOTE 2 (3)

REVISE NOTE EC NO: S2014-0536 DRAWN BY: RZHANG CHKD: JIAN02 APPR: KILLIM	2013/12/05 2013/12/17 2013/12/20	QUALITY SYMBOLS $\sqrt{\text{A}}=0$ $\sqrt{\text{B}}=0$ $\sqrt{\text{C}}=0$	GENERAL TOLERANCES (UNLESS SPECIFIED)		DIMENSION STYLE		SCALE	DESIGN UNITS	THIRD ANGLE PROJECTION
			mm	INCH	MM ONLY	NTS	METRIC		
			4 PLACES ± --- ± ---	3 PLACES ± --- ± ---	DRAWN BY	DATE	TITLE		
			2 PLACES ± 0.25 ± ---	1 PLACE ± 0.25 ± ---	0 PLACE ± ±	RZHANG	2004/07/20	1.0 HDMI RIGHT ANGLE HEADER ASSEMBLY(19 PIN) LEAD FREE	
ANGULAR ± 3 ° DRAFT WHERE APPLICABLE MUST REMAIN WITHIN DIMENSIONS			MATERIAL NO. SEE SHEET 6		DOCUMENT NO. SD-47151-001		SHEET NO. 7 OF 8		
THIS DRAWING CONTAINS INFORMATION THAT IS PROPRIETARY TO MOLEX INCORPORATED AND SHOULD NOT BE USED WITHOUT WRITTEN PERMISSION									

Contact us: sales@integrated-circuit.com Website: www.integrated-circuit.com

ASSEMBLY P/N	DIMENSION					FEATURE				HOUSING COLOUR	GOLD PLATING IN CONTACT AREA	SHELL PLATING	REMARK
	DIM A	DIM B	DIM C	DIM D	DIM E	FLANGE	BACK COVER	TOP HOLES	MYLAR				
47151-1002											SEE NOTE 2 (1)	SEE NOTE 2 (a)	FOR SHEET 4
47151-1042									W/O	BLACK	SEE NOTE 2 (2)		
47151-1052											SEE NOTE 2 (3)		
47151-1062											SEE NOTE 2 (4)		
47151-2062	1.80	2.20	M3.0x0.5	16.08	13.38	WITH	WITH	WITH	WITH	BLACK	SEE NOTE 2 (4)		
47151-1012											SEE NOTE 2 (1)		
47151-1072									W/O	NATURE	SEE NOTE 2 (2)		
47151-1082											SEE NOTE 2 (3)		
47151-1022										BLACK	SEE NOTE 2 (1)		
47151-1032										NATURE	SEE NOTE 2 (1)		
47151-1102											SEE NOTE 2 (1)		
47151-1142										BLACK	SEE NOTE 2 (2)		
47151-1152											SEE NOTE 2 (3)		
47151-1112	1.45	1.45	M3.0x0.5	16.08	13.38	WITH	WITH	WITH	W/O		SEE NOTE 2 (1)		
47151-1162										NATURE	SEE NOTE 2 (2)		
47151-1172											SEE NOTE 2 (3)		
47151-1122										BLACK	SEE NOTE 2 (1)		
47151-1132										NATURE	SEE NOTE 2 (1)		
47151-1005											SEE NOTE 2 (1)		
47151-1045									W/O	BLACK	SEE NOTE 2 (2)		
47151-1065											SEE NOTE 2 (3)		
47151-1015											SEE NOTE 2 (1)		
47151-1035	1.80	2.20	4-40	16.08	13.38	WITH	WITH	WITH		NATURE	SEE NOTE 2 (2)		
47151-1055											SEE NOTE 2 (3)		
47151-1025											SEE NOTE 2 (1)		
47151-1075									WITH	BLACK	SEE NOTE 2 (2)		
47151-1085											SEE NOTE 2 (3)		
47151-1026											SEE NOTE 2 (1)		
47151-6012											SEE NOTE 2 (1)		
47151-6042									W/O	BLACK	SEE NOTE 2 (2)		
47151-6052	1.80	2.20									SEE NOTE 2 (3)		
47151-6022			M3.0x0.5	14.25	11.28	WITH	WITH	WITH		BLACK	SEE NOTE 2 (1)		
47151-6032											SEE NOTE 2 (3)		
47151-6112											SEE NOTE 2 (1)		
47151-6142	1.45	1.45							W/O	BLACK	SEE NOTE 2 (2)		
47151-6152											SEE NOTE 2 (3)		

REVISE NOTE EC. NO: S2014-0536 DRAWN BY: DRW:FC00 CHKD: JIAN02 APPR: KILLIM 2013/12/05 2013/12/17 2013/12/20	QUALITY SYMBOLS $\sqrt{\text{R}}=0$ $\sqrt{\text{S}}=0$ $\sqrt{\text{T}}=0$	GENERAL TOLERANCES (UNLESS SPECIFIED)		DIMENSION STYLE MM ONLY		SCALE NTS	DESIGN UNITS METRIC	THIRD ANGLE PROJECTION		
		4 PLACES ± --- ± --- 3 PLACES ± --- ± --- 2 PLACES ± 0.25 ± --- 1 PLACE ± 0.25 ± --- 0 PLACE ± ±	mm INCH ± --- ± --- ± 0.25 ± --- ± 0.25 ± --- ± ±	DRAWN BY: RZHANG DATE: 2004/07/20	CHECKED BY: GRMA DATE: 2004/07/20	APPROVED BY: YTYAP DATE: 2004/07/20	TITLE 1.0 HDMI RIGHT ANGLE HEADER ASSEMBLY(19 PIN) LEAD FREE			
		ANGULAR ± 3°		MATERIAL NO.	DOCUMENT NO.	SEE SHEET 6		SD-47151-001	SHEET NO. 8 OF 8	
		DRAFT WHERE APPLICABLE MUST REMAIN WITHIN DIMENSIONS		THIS DRAWING CONTAINS INFORMATION THAT IS PROPRIETARY TO MOLEX INCORPORATED AND SHOULD NOT BE USED WITHOUT WRITTEN PERMISSION						