



Distributor of Molex Connector Corporation: Excellent Integrated System Limited
Datasheet of 0472720029 - Connector Receptacle DisplayPort 20 Position Surface Mount,
Right Angle, Horizontal

Contact us: sales@integrated-circuit.com Website: www.integrated-circuit.com

Excellent Integrated System Limited

Stocking Distributor

Click to view price, real time Inventory, Delivery & Lifecycle Information:

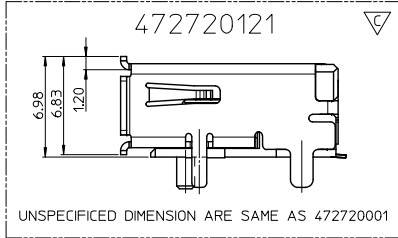
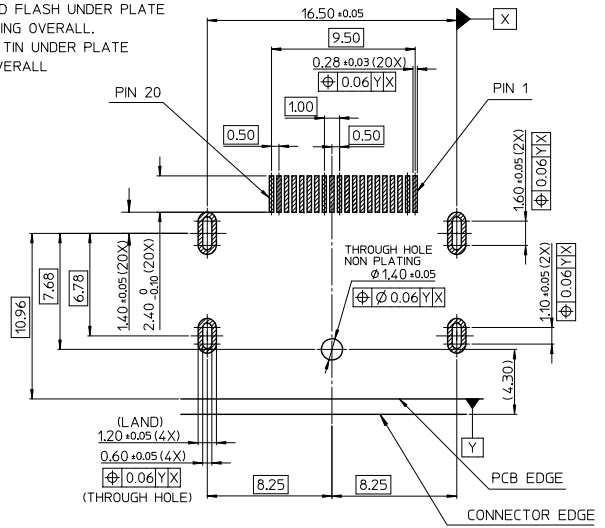
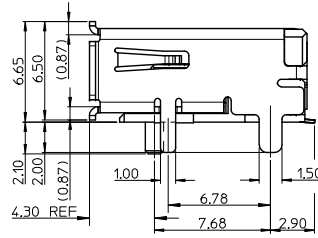
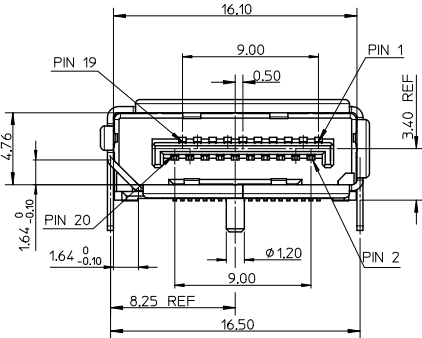
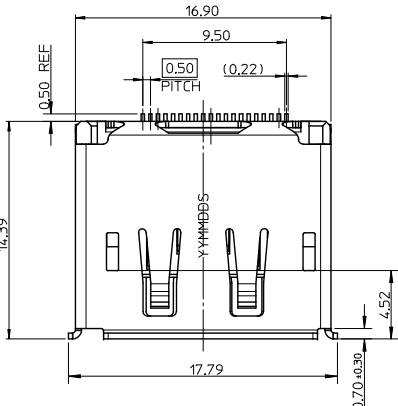
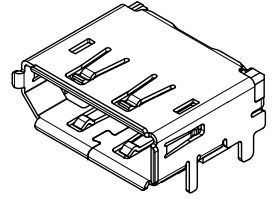
[Molex Connector Corporation](#)
[0472720029](#)

For any questions, you can email us directly:
sales@integrated-circuit.com

Contact us: sales@integrated-circuit.com Website: www.integrated-circuit.com

NOTES:

- MATERIAL:
HOUSING: LIQUID CRYSTAL POLYMER, BLACK, 30% GLASS FILLED, UL94V-0.
TERMINAL: BRASS.
SHELL: STAINLESS STEEL FOR WITHOUT FLANGE PART & PHOSPHOR BRONZE FOR WITH FLANGE PART
- PLATING:
TERMINAL:
CONTACT AREA: (1). 0.76 MICROMETER (30 μ) GOLD PLATING
(2). 0.38 MICROMETER (15 μ) GOLD PLATING
(3). GOLD FLASH PLATING
AND SOLDER TAIL: 1-3 MICROMETER (39-118 μ) MATT TIN UNDER PLATE
2-4 MICROMETER (79-158 μ) NICKEL PLATING OVERALL.
- SHELL:
(a). 1.27-2.54 MICROMETER (50-100 μ) SOLDERABLE NICKEL PLATING OVERALL.
(b). SHELL PEG SOLDERING SURFACE PLATE GOLD FLASH UNDER PLATE
1-3 MICROMETER (39-118 μ) NICKEL PLATING OVERALL.
(c). SHELL PLATE 2.0-4.0 MICROMETER (79-158 μ) TIN UNDER PLATE
1.27-3.0 MICROMETER (50-118 μ) NICKEL OVERALL
- SOLDERTAIL COPLANARITY 0.10 MAX.
PS REFER TO PS-47272-001

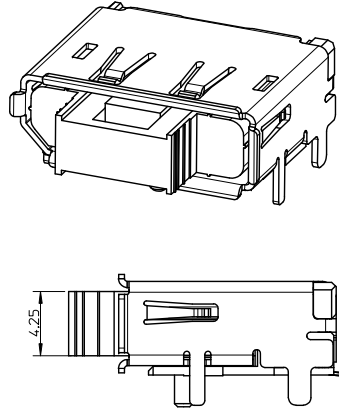
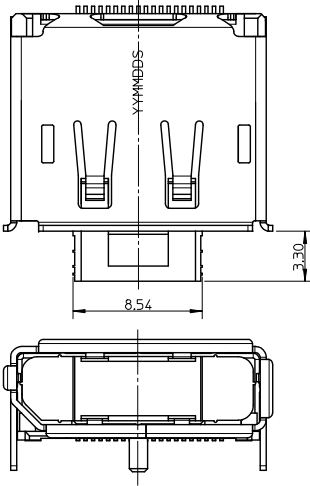


RECOMMENDED PCB LAYOUT (THICKNESS=1.6±0.15)

REVISED EC. NO. SH2015-0381 DRAWN: RZHANG CHKD: APPR: ATIN REV:	DESCRIPTION 2015/03/19 2015/04/29	QUALITY SYMBOLS	GENERAL TOLERANCES (UNLESS SPECIFIED)	DIMENSION STYLE	SCALE	DESIGN UNITS	THIRD ANGLE PROJECTION	
		$\nabla=0$ $\nabla=0$ $\nabla=0$	mm INCH 4 PLACES ± --- ± --- 3 PLACES ± --- ± --- 2 PLACES ± 0.25 ± --- 1 PLACE ± 0.25 ± --- ANGULAR ± 3°	MM ONLY	1:1	METRIC	DRAWN BY: RZHANG CHECKED BY: IWANG APPROVED BY: RZHANG DATE: 2005/07/01 DATE: 2005/07/01 DATE: 2010/03/26	TITLE
		DRAFT WHERE APPLICABLE MUST REMAIN WITHIN DIMENSIONS	SEE SHEET 8	MOLEX INCORPORATED DOCUMENT NO. SD-47272-001		SHEET NO. 1 OF 8		
		THIS DRAWING CONTAINS INFORMATION THAT IS PROPRIETARY TO MOLEX INCORPORATED AND SHOULD NOT BE USED WITHOUT WRITTEN PERMISSION						

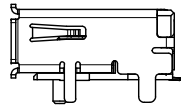
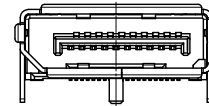
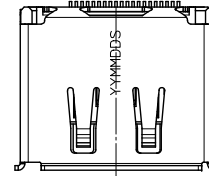
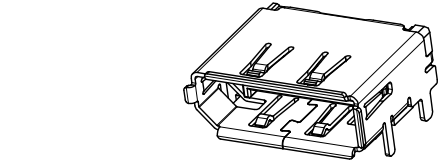
Contact us: sales@integrated-circuit.com Website: www.integrated-circuit.com

WITH COVER



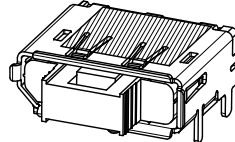
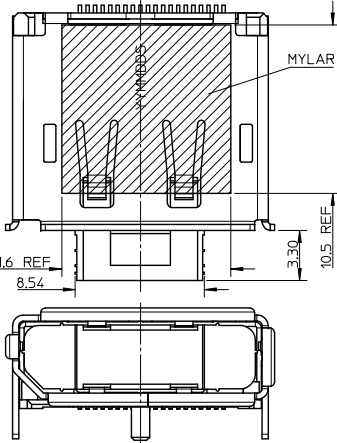
NOTES:
1.UNSPECIFIED DIMENSION ARE SAME AS SHEET1
2.CONNCTOR WITH COVER IS USED FOR WARE SOLDERING PEG

WITHOUT LATCH HOLE



NOTES:
1.UNSPECIFIED DIMENSION ARE SAME AS SHEET1

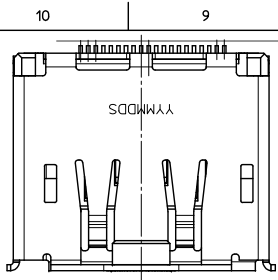
WITH COVER AND MYLAR



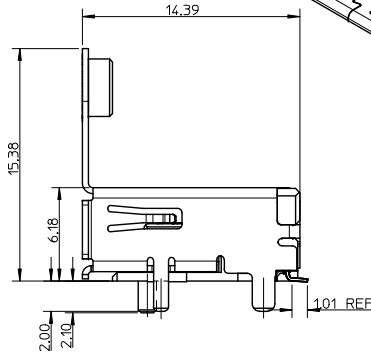
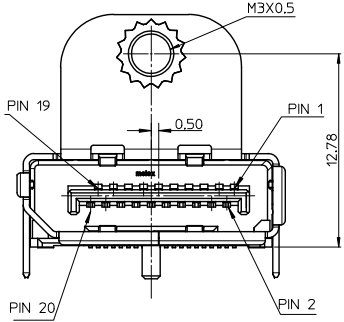
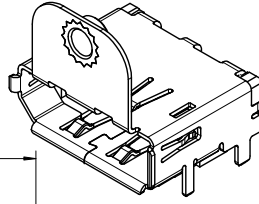
NOTES:
1.UNSPECIFIED DIMENSION ARE SAME AS SHEET1
2.CONNCTOR WITH COVER IS USED FOR WARE SOLDERING PEG

REVISED EC. NO.: SH2015-0381 DRAWN: RZHANG CHKD: APPR: ATIN	DESCRIPTION 2015/03/19 2015/04/29	QUALITY SYMBOLS	GENERAL TOLERANCES (UNLESS SPECIFIED)	DIMENSION STYLE MM ONLY	SCALE 1:1	DESIGN UNITS METRIC	THIRD ANGLE PROJECTION																	
		$\nabla=0$ $\nabla=0$ $\nabla=0$	<table border="1"> <tr> <th></th> <th>mm</th> <th>INCH</th> </tr> <tr> <td>4 PLACES</td> <td>±---</td> <td>±---</td> </tr> <tr> <td>3 PLACES</td> <td>±---</td> <td>±---</td> </tr> <tr> <td>2 PLACES</td> <td>±0.25</td> <td>±---</td> </tr> <tr> <td>1 PLACE</td> <td>±0.25</td> <td>±---</td> </tr> <tr> <td colspan="3">ANGULAR ± 3°</td> </tr> </table>		mm	INCH	4 PLACES	±---	±---	3 PLACES	±---	±---	2 PLACES	±0.25	±---	1 PLACE	±0.25	±---	ANGULAR ± 3°			DRAWN BY: RZHANG DATE: 2005/07/01 CHECKED BY: IWANG DATE: 2005/07/01 APPROVED BY: RZHANG DATE: 2010/03/26	TITLE 1.0MM PITCH DISPLAY PORT RECEPTACLE ASSEMBLY	MATERIAL NO. SEE SHEET 8
	mm	INCH																						
4 PLACES	±---	±---																						
3 PLACES	±---	±---																						
2 PLACES	±0.25	±---																						
1 PLACE	±0.25	±---																						
ANGULAR ± 3°																								

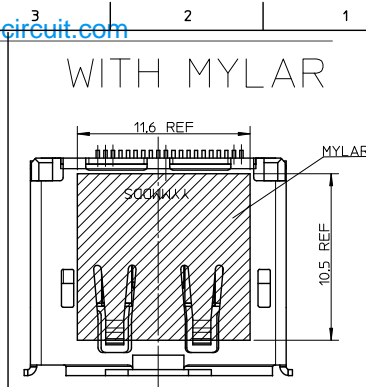
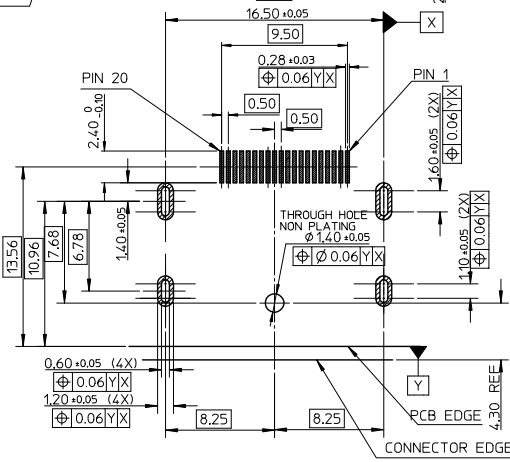
Contact us: sales@integrated-circuit.com Website: www.integrated-circuit.com



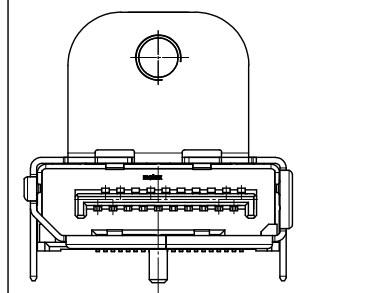
WITH FLANGE AND THROUGH HOLE PEG



NOTES:
UNSPECIFIED DIMENSION ARE SAME AS SHEET1



WITH MYLAR

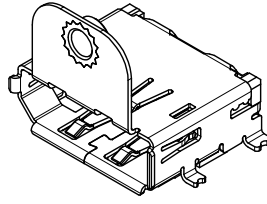
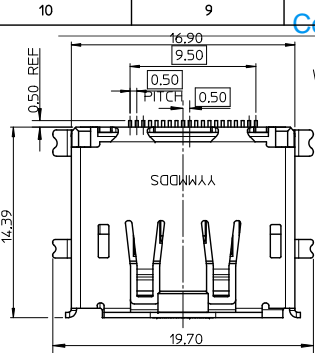


NOTES:
UNSPECIFIED DIMENSION ARE SAME AS SHEET1

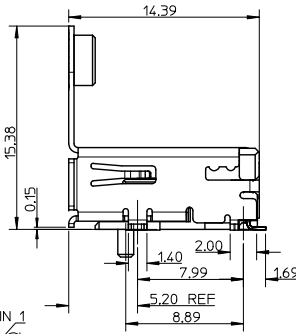
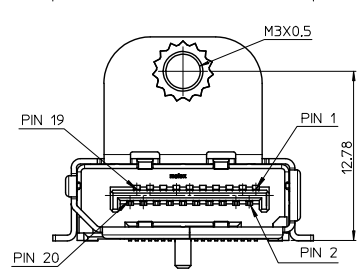
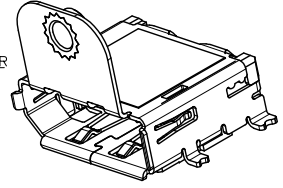
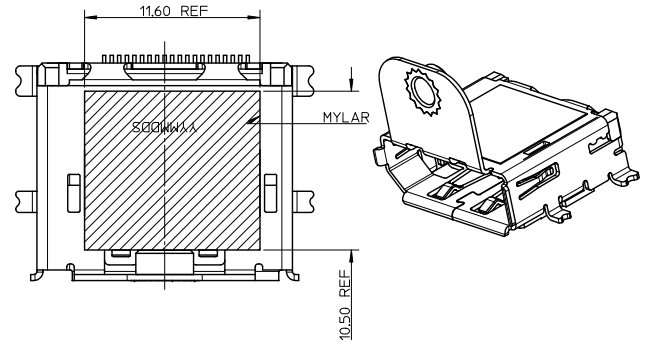
REVISED EC NO. SH2015-0381 DRAWN: RZHANG CHKD: CHEN APPR: ATIN REV: 1 DESCRIPTION: 2015/03/19 2015/04/29	QUALITY SYMBOLS	GENERAL TOLERANCES (UNLESS SPECIFIED)	DIMENSION STYLE	SCALE	DESIGN UNITS	THIRD ANGLE PROJECTION
	$\nabla=0$ $\nabla=0$ $\nabla=0$	mm INCH 4 PLACES ± --- ± --- 3 PLACES ± --- ± --- 2 PLACES ± 0.25 ± --- 1 PLACE ± 0.25 ± --- ANGULAR ± 3 °	MM ONLY	1:1	METRIC	
	DRAWN BY: RZHANG CHECKED BY: IWANG APPROVED BY: RZHANG DATE: 2005/07/01 DATE: 2005/07/01 DATE: 2010/03/26	TITLE	1.0MM PITCH DISPLAY PORT RECEPTACLE ASSEMBLY			
	MATERIAL NO. SEE SHEET 8 SIZE: A3 THIS DRAWING CONTAINS INFORMATION THAT IS PROPRIETARY TO MOLEX INCORPORATED AND SHOULD NOT BE USED WITHOUT WRITTEN PERMISSION	MOLEX INCORPORATED DOCUMENT NO. SD-47272-001 SHEET NO. 3 OF 8				

Contact us: sales@integrated-circuit.com Website: www.integrated-circuit.com

WITH FLANGE AND SMT PEG

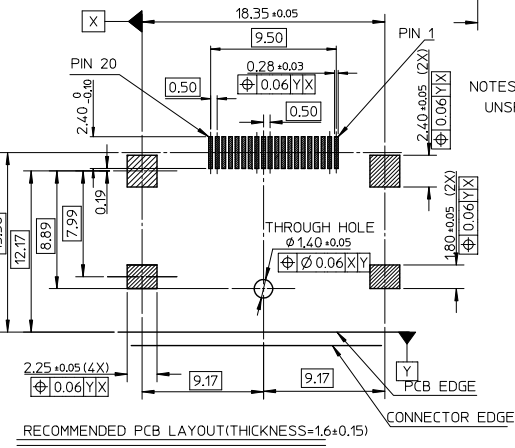


WITH FLANGE AND MYLAR



NOTES:
UNSPECIFIED DIMENSION ARE SAME AS SHEET1

NOTES:
1.UNSPECIFIED DIMENSION ARE SAME AS SHEET1
2.THE RECOMMENDER PCB ARE SAME AS LEFT RECOMMENDER PCB



REVISED	EC NO. SH2015-0381	2015/03/19	2015/04/29
DRW:RZHANG	CHKD:	APPR:ATIN	REV

QUALITY SYMBOLS
▽=0
▽=0
▽=0

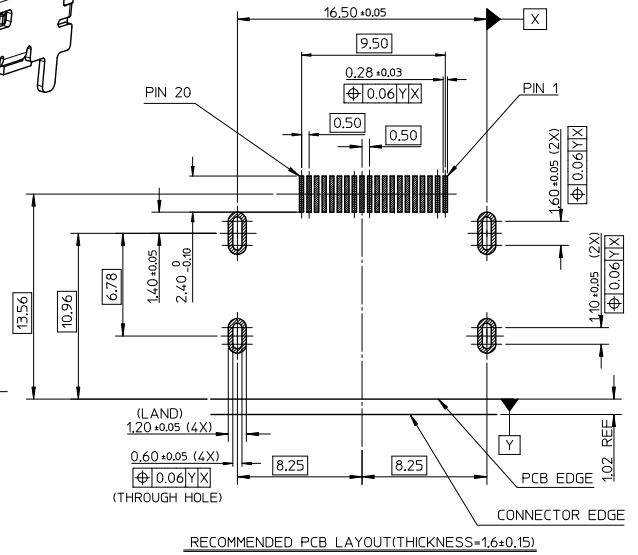
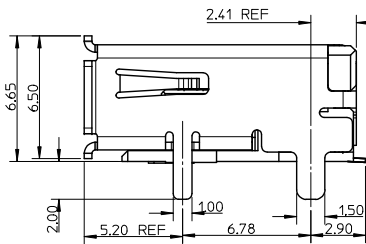
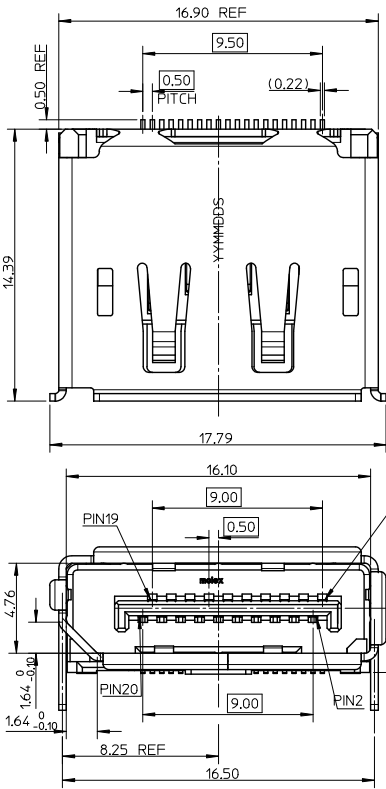
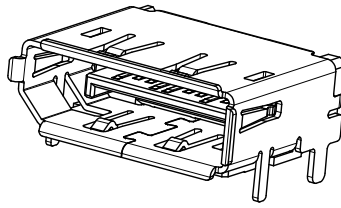
GENERAL TOLERANCES (UNLESS SPECIFIED)	
	mm INCH
4 PLACES	± --- ± ---
3 PLACES	± --- ± ---
2 PLACES	± 0.25 ± ---
1 PLACE	± 0.25 ± ---
ANGULAR ± 3°	
DRAFT WHERE APPLICABLE MUST REMAIN WITHIN DIMENSIONS	

DIMENSION STYLE	
MM ONLY	
DRAWN BY	DATE
RZHANG	2005/07/01
CHECKED BY	DATE
IWANG	2005/07/01
APPROVED BY	DATE
RZHANG	2010/03/26
MATERIAL NO.	DOCUMENT NO.
SEE SHEET 8	SD-47272-001

SCALE	DESIGN UNITS	THIRD ANGLE PROJECTION
1:1	METRIC	☉
TITLE		
1.0MM PITCH DISPLAY PORT RECEPTACLE ASSEMBLY		
MATERIAL NO. DOCUMENT NO.		
MOLLEX INCORPORATED		
SHEET NO.		4 OF 8

Contact us: sales@integrated-circuit.com Website: www.integrated-circuit.com

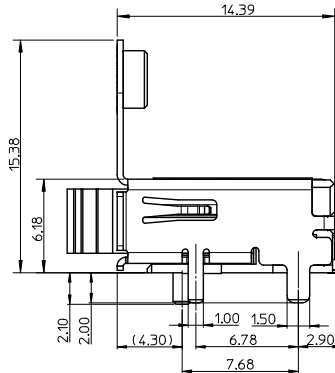
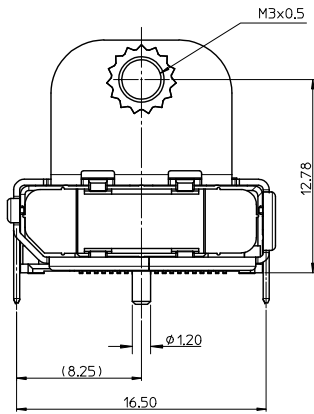
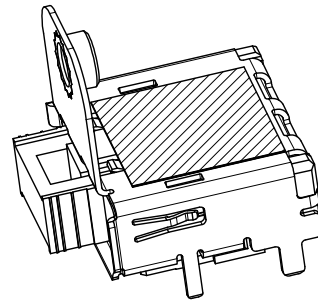
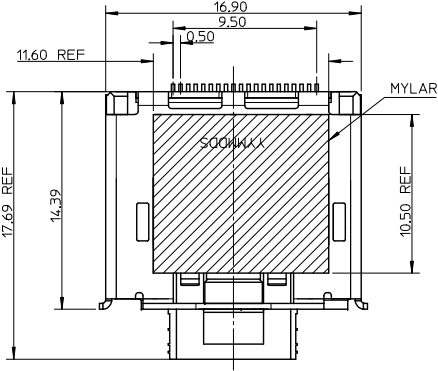
WITHOUT POST



NOTES:
UNSPECIFIED DIMENSION ARE SAME AS SHEET1

REVISED EC NO: SH2015-0381 CJD/RW/RZHANG CHKD: APPR:AYIN 2015/03/19 2015/04/29	QUALITY SYMBOLS	GENERAL TOLERANCES (UNLESS SPECIFIED)	DIMENSION STYLE	SCALE	DESIGN UNITS	THIRD ANGLE PROJECTION
	$\nabla=0$ $\nabla=0$ $\nabla=0$	mm INCH 4 PLACES ± --- ± --- 3 PLACES ± --- ± --- 2 PLACES ± 0.25 ± --- 1 PLACE ± 0.25 ± --- ANGULAR ± 3°	MM ONLY	1:1	METRIC	
	DRAWN BY	DRAWN BY	DATE	TITLE	MOLEX INCORPORATED	
	RZHANG	RZHANG	2005/07/01	1.0MM PITCH DISPLAY PORT RECEPTACLE ASSEMBLY	MATERIAL NO. SEE SHEET 8	
APPROVED BY	APPROVED BY	DATE	DOCUMENT NO.	SHEET NO.		
RZHANG	RZHANG	2010/03/26	SD-47272-001	5 OF 8		
DRAFT WHERE APPLICABLE MUST REMAIN WITHIN DIMENSIONS			THIS DRAWING CONTAINS INFORMATION THAT IS PROPRIETARY TO MOLEX INCORPORATED AND SHOULD NOT BE USED WITHOUT WRITTEN PERMISSION			

Contact us: sales@integrated-circuit.com Website: www.integrated-circuit.com

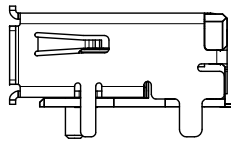
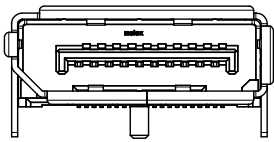
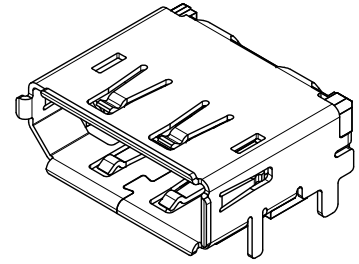
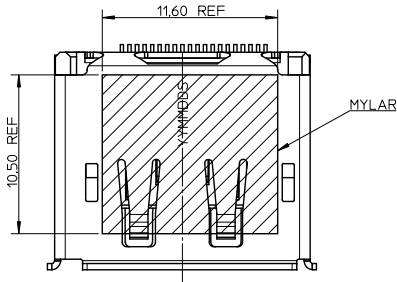


- NOTES:
1. UNSPECIFIC DIMENSION ARE SAME AS SHEET1
2. THE RECOMMENDER PCB ARE SAME AS SHEET1

REVISED EC NO. SH2015-0381 DRAWN: RZHANG CHKD: APPR: ATIN REV DESCRIPTION 2015/03/19 2015/04/29	QUALITY SYMBOLS	GENERAL TOLERANCES (UNLESS SPECIFIED)	DIMENSION STYLE	SCALE	DESIGN UNITS	THIRD ANGLE PROJECTION
	$\nabla=0$ $\nabla=0$ $\nabla=0$	mm INCH 4 PLACES ± --- ± --- 3 PLACES ± --- ± --- 2 PLACES ± 0.25 ± --- 1 PLACE ± 0.25 ± --- ANGULAR ± 3°	MM ONLY	1:1	METRIC	
		DRAFT WHERE APPLICABLE MUST REMAIN WITHIN DIMENSIONS	DRAWN BY DATE RZHANG 2005/07/01 CHECKED BY DATE IWANG 2005/07/01 APPROVED BY DATE RZHANG 2010/03/26	TITLE	1.0MM PITCH DISPLAY PORT RECEPTACLE ASSEMBLY	
			MATERIAL NO. SEE SHEET 8 SIZE A3	MOLEX INCORPORATED DOCUMENT NO. SD-47272-001	SHEET NO. 6 OF 8	

Contact us: sales@integrated-circuit.com Website: www.integrated-circuit.com

STANDARD TYPE WITH MYLAR



NOTES:

1. UNSPECIFIC DIMENSION ARE SAME AS SHEET1
2. THE RECOMMENDER PCB ARE SAME AS SHEET1

REVISED EC. NO: SH2015-0381 DRAWN: RZHANG 2015/03/19 CHKD: APPR: AYIN REV: 2015/04/29	QUALITY SYMBOLS	GENERAL TOLERANCES (UNLESS SPECIFIED)		DIMENSION STYLE MM ONLY		SCALE 4:1	DESIGN UNITS METRIC	THIRD ANGLE PROJECTION
	▽=0	4 PLACES ± ---	± ---	mm	INCH	DRAWN BY RZHANG	DATE 2005/07/01	TITLE 1.0MM PITCH DISPLAY PORT RECEPTACLE ASSEMBLY
	▽=0	3 PLACES ± ---	± ---			CHECKED BY IWANG	DATE 2005/07/01	
	▽=0	2 PLACES ± 0.25	± ---			APPROVED BY RZHANG	DATE 2010/03/26	
		1 PLACE ± 0.25	± ---	ANGULAR ± 3°		MATERIAL NO. SEE SHEET 8	DOCUMENT NO. SD-47272-001	SHEET NO. 7 OF 8
		DRAFT WHERE APPLICABLE MUST REMAIN WITHIN DIMENSIONS		THIS DRAWING CONTAINS INFORMATION THAT IS PROPRIETARY TO MOLEX INCORPORATED AND SHOULD NOT BE USED WITHOUT WRITTEN PERMISSION				

Contact us: sales@integrated-circuit.com Website: www.integrated-circuit.com

PART NO.	COVER	FLANGE (SCREW)	PEG OF SHELL	PLATING IN CONTACT AREA	SHELL PLATING	LATCH HOLE	MYLAR	POST	PACKAGE	REMARK	SHELL MATERIAL	
472720001	WITHOUT	WITHOUT	THROUGH HOLE PEG	SEE NOTE2(1)	SEE NOTE2(a)	WITH	WITHOUT	WITH	PK-47272-001	FOR SHEET 1	STAINLESS STEEL	
472720011	WITHOUT	WITHOUT	THROUGH HOLE PEG	SEE NOTE2(2)	SEE NOTE2(a)	WITH	WITHOUT	WITH	PK-47272-001			
472720021	WITHOUT	WITHOUT	THROUGH HOLE PEG	SEE NOTE2(3)	SEE NOTE2(a)	WITH	WITHOUT	WITH	PK-47272-001			
472720003	WITHOUT	WITHOUT	THROUGH HOLE PEG	SEE NOTE2(1)	SEE NOTE2(a)	WITHOUT	WITHOUT	WITH	PK-47272-001	FOR SHEET 2		
472721002	WITH	WITHOUT	THROUGH HOLE PEG	SEE NOTE2(1)	SEE NOTE2(a)	WITH	WITHOUT	WITH	PK-47272-001			
472720012	WITH	WITHOUT	THROUGH HOLE PEG	SEE NOTE2(2)	SEE NOTE2(a)	WITH	WITHOUT	WITH	PK-47272-001			
472720022	WITH	WITHOUT	THROUGH HOLE PEG	SEE NOTE2(3)	SEE NOTE2(a)	WITH	WITHOUT	WITH	PK-47272-001	FOR SHEET 3		PHOSPHOR BRONZE
472720024	WITH	WITHOUT	THROUGH HOLE PEG	SEE NOTE2(1)	SEE NOTE2(a)	WITH	WITH	WITH	PK-47272-001			
472720004	WITH	WITH	THROUGH HOLE PEG	SEE NOTE2(1)	SEE NOTE2(c)	WITH	WITHOUT	WITH	PK-47272-005			
472721004	WITHOUT	WITH	THROUGH HOLE PEG	SEE NOTE2(1)	SEE NOTE2(c)	WITH	WITHOUT	WITH	PK-47272-003			
472720025	WITHOUT	WITH	THROUGH HOLE PEG	SEE NOTE2(1)	SEE NOTE2(c)	WITH	WITH	WITH	PK-47272-003			
472720028	WITHOUT	WITH	THROUGH HOLE PEG	SEE NOTE2(3)	SEE NOTE2(c)	WITH	WITH	WITH	PK-47272-003			
472721005	WITHOUT	WITH	SMT PEG	SEE NOTE2(1)	SEE NOTE2(c)	WITH	WITHOUT	WITH	PK-47272-003	FOR SHEET 4		
472720023	WITHOUT	WITH	SMT PEG	SEE NOTE2(1)	SEE NOTE2(c)	WITH	WITH	WITH	PK-47272-003	FOR SHEET 5		
472720026	WITHOUT	WITHOUT	THROUGH HOLE PEG	SEE NOTE2(1)	SEE NOTE2(a)	WITH	WITHOUT	WITHOUT	PK-47272-001	FOR SHEET 6	STAINLESS STEEL	
472720027	WITH	WITH	THROUGH HOLE PEG	SEE NOTE2(1)	SEE NOTE2(c)	WITH	WITH	WITH	PK-47272-005	FOR SHEET 7	PHOSPHOR BRONZE	
472720029	WITHOUT	WITHOUT	THROUGH HOLE PEG	SEE NOTE2(1)	SEE NOTE2(a)	WITH	WITH	WITH	PK-47272-001	FOR SHEET 1	STAINLESS STEEL	
472721014	WITHOUT	WITH	THROUGH HOLE PEG	SEE NOTE2(1)	SEE NOTE2(c)	WITH	WITHOUT	WITH	PK-47272-003	FOR SHEET 3	PHOSPHOR BRONZE	
472721024	WITH	WITHOUT	THROUGH HOLE PEG	SEE NOTE2(2)	SEE NOTE2(a)	WITH	WITH	WITH	PK-47272-001	FOR SHEET 2	STAINLESS STEEL	

REVISED EC NO. SH2015-0381 DRAWN: RZHANG CHKD: APPR: ATIN 2015/03/19 2015/04/29	QUALITY SYMBOLS $\sqrt{\text{A}}=0$ $\sqrt{\text{B}}=0$ $\sqrt{\text{C}}=0$	GENERAL TOLERANCES (UNLESS SPECIFIED)		DIMENSION STYLE MM ONLY		SCALE 1:1	DESIGN UNITS METRIC	THIRD ANGLE PROJECTION	
			mm	INCH	DRAWN BY RZHANG	DATE 2005/07/01	TITLE 1.0MM PITCH DISPLAY PORT RECEPTACLE ASSEMBLY MOLEX INCORPORATED DOCUMENT NO. SD-47272-001 SHEET NO. 8 OF 8		
			±---	±---	CHECKED BY IWANG	DATE 2005/07/01			
			±0.25	±---	APPROVED BY RZHANG	DATE 2010/03/26			
DRAFT WHERE APPLICABLE MUST REMAIN WITHIN DIMENSIONS		MATERIAL NO. SEE CHART		SIZE A3		THIS DRAWING CONTAINS INFORMATION THAT IS PROPRIETARY TO MOLEX INCORPORATED AND SHOULD NOT BE USED WITHOUT WRITTEN PERMISSION			