

## Excellent Integrated System Limited

Stocking Distributor

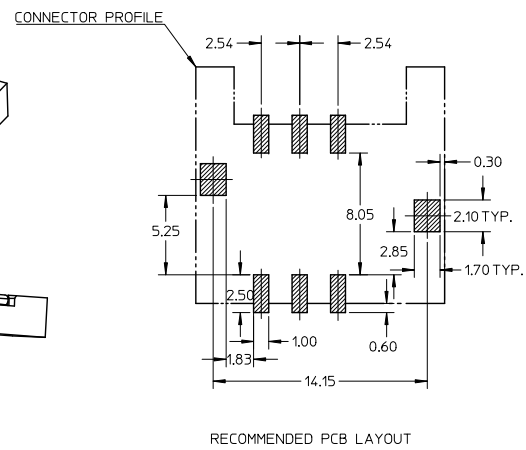
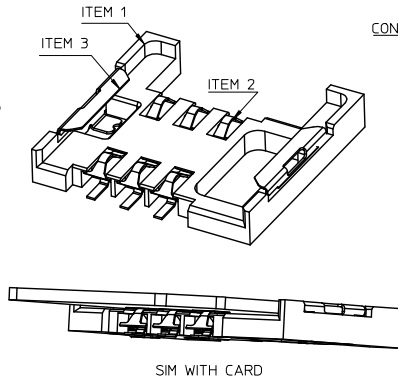
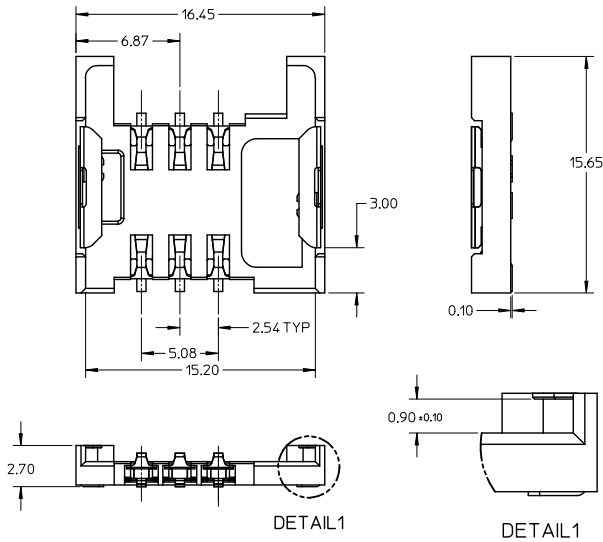
Click to view price, real time Inventory, Delivery & Lifecycle Information:

[Molex Connector Corporation](#)  
[0472738001](#)

For any questions, you can email us directly:

[sales@integrated-circuit.com](mailto:sales@integrated-circuit.com)

10 9 8 7 6 5 4 3 2 1



**NOTES:**

**1.MATERIAL:**

HOUSING: LCP, GLASS-FILLED, UL 94V-0, COLOR .BLACK.

TERMINAL: 0.12MM PHOSPHOR BRONZE.

SHELL: STAINLESS STEEL.

**2.FINISH:**

TERMINAL CONTACT AREA: 10<sup>μ</sup> GOLD PLATING OVERALL 1.25 MICRON NICKEL MIN.

TERMINAL SOLDER AREA: GOLD FLASH OVERALL 1.25 MICRON NICKEL MIN.

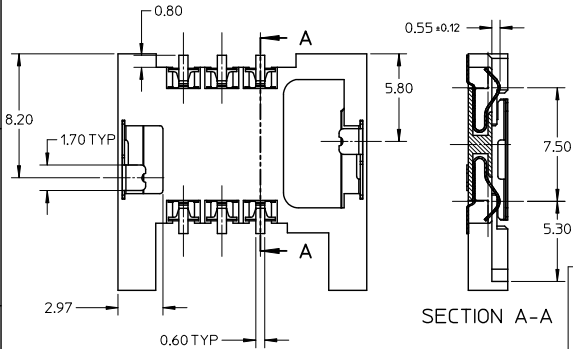
SHELL: GOLD FLASH OVER SOLDERING PAD, 2.0 MICRON NICKEL MIN. OVERALL

**3.COPLANARITY: 0.1MM MAX AMONG SOLDER TAILS AND FITTING NAILS.**

**4.PRODUCT SPECIFICATION: PS-47273-001.**

**5.PRODUCT COMPLIANT TO ROHS DIRECTIVE 2002/95/EC**

AND ELV DIRECTIVE 2000/53/EC



ITEM	NAME	MATERIAL NO.
1	HOUSING	472730002
2	TERMINAL	472738003
3	SHELL	472730004

UPDATED PLATING SPEC. EC NO: 2009/09/01 DRW: LUT0 CHKD: 2009/09/01 APPR: WFDENG 2009/09/13	QUALITY SYMBOLS ▽=0 ▽=0	GENERAL TOLERANCES (UNLESS SPECIFIED)		DIMENSION STYLE MM ONLY		SCALE 4:1	DESIGN UNITS METRIC	THIRD ANGLE PROJECTION
		4 PLACES ± --- ± --- 3 PLACES ± --- ± --- 2 PLACES ± 0.2 ± --- 1 PLACE ± --- ± --- ANGULAR ± 3 °	mm INCH DRAWN BY DATE QYANG 2005-08-31 CHECKED BY DATE Y. J. WU 2005-08-31 APPROVED BY DATE VINCENT 2005-08-31	TITLE SIM CARD CONNECTOR SALES DRAWING		Molex MOLEX INCORPORATED		SHEET NO. 1 OF 1
DRAFT WHERE APPLICABLE MUST REMAIN WITHIN DIMENSIONS		MATERIAL NO. 472738001		DOCUMENT NO. SD-47273-801		THIS DRAWING CONTAINS INFORMATION THAT IS PROPRIETARY TO MOLEX INCORPORATED AND SHOULD NOT BE USED WITHOUT WRITTEN PERMISSION		

9 8 7 6 5 4 3 2 1