

Excellent Integrated System Limited

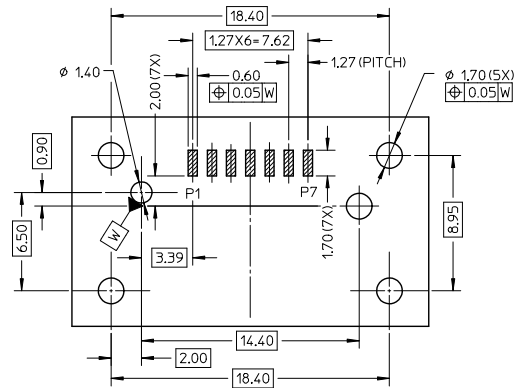
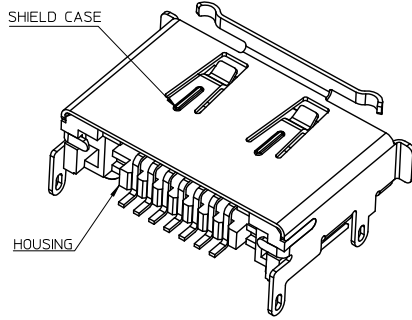
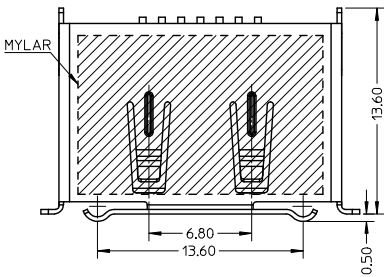
Stocking Distributor

Click to view price, real time Inventory, Delivery & Lifecycle Information:

[Molex Connector Corporation](#)
[0473911000](#)

For any questions, you can email us directly:
sales@integrated-circuit.com

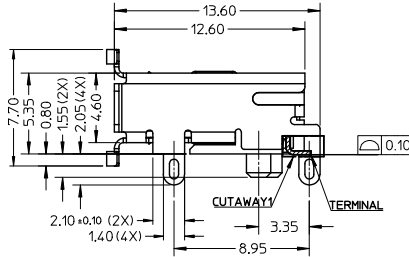
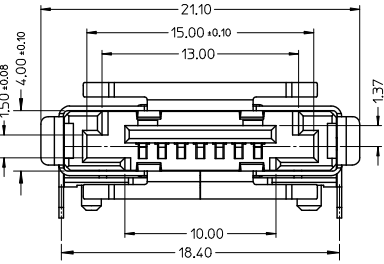
10 9 8 7 6 5 4 3 2 1



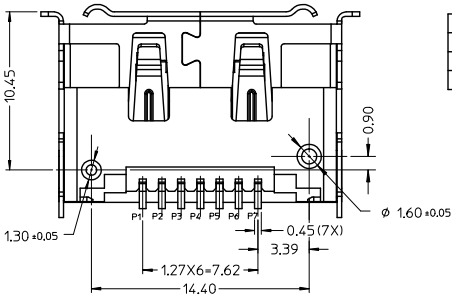
RECOMMEND PCB LAYOUT(CONNECTOR SIDE)
THICKNESS=1.30(ALL TOLERANCE: ±0.05)

NOTES:

- MATERIAL:
HOUSING: PA6T.COLOR: BLACK, UL94V-0.
SHIELD CASE: COPPER ALLOY.
TERMIANL: COPPER ALLOY.
- PLATING:
SHIELD CASE: 100-200μ SOLDERABLE NICKEL OVER ALL.
TERMINAL: CONTACT AREA GOLD PLATING(SEE CHART) AND SOLDER TAIL 50-100μ TIN ALLOY PLATING OVER 50μ MIN. NICKEL.
- PRODUCT SPEC REFER TO PS-47082-001.
- PACKAGE SPEC REFER TO PK-47379-001.
- PRODUCT MEET STANDARD 1.0 REVISION OF THE SERIAL ATA II: CABLE AND CONNECTOR VOL 2 SPECIFICATION.
- PRODUCT COMPLIANT TO RoHS 2002/95/EC AND ELV 2000/53/EC.



PART NO.	DESCRIPTION
47391-2000	TERMINAL CONTACT AREA PLATED 30μ GOLD
47391-1000	TERMINAL CONTACT AREA PLATED 15μ GOLD
47391-0000	TERMINAL CONTACT AREA PLATED GOLD FLASH



REVISED	EC NO:	DRAWING	CHKD:	APPR:	DESCRIPTION	QUALITY SYMBOLS	GENERAL TOLERANCES (UNLESS SPECIFIED)		DIMENSION STYLE		SCALE	DESIGN UNITS	THIRD ANGLE PROJECTION
							mm	INCH	MM ONLY	DATE			
							4 PLACES	±---	±---	DRAWN BY	DATE	TITLE	EXTERNAL SATA PLUG SMT WITH SHELL BOTTOM MOUNT TYPE MOLEX INCORPORATED
							3 PLACES	±---	±---	CHECKED BY	DATE		
							2 PLACES	±0.2	±---	JENNY ZENG	2006/11/16		
							1 PLACE	±0.25	±---	APPROVED BY	DATE		
							ANGULAR ± 3°		GRATE MA		2006/11/16		
							DRAFT WHERE APPLICABLE MUST REMAIN WITHIN DIMENSIONS		MATERIAL NO.				
									SEE CHART				
									DOCUMENT NO.				
									SD-47391-100				
									SHEET NO.				
									1 OF 1				

9 8 7 6 5 4 3 2 1