

Excellent Integrated System Limited

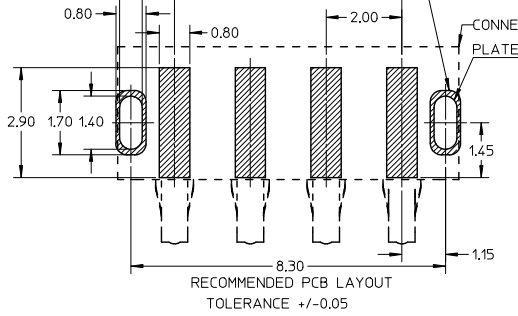
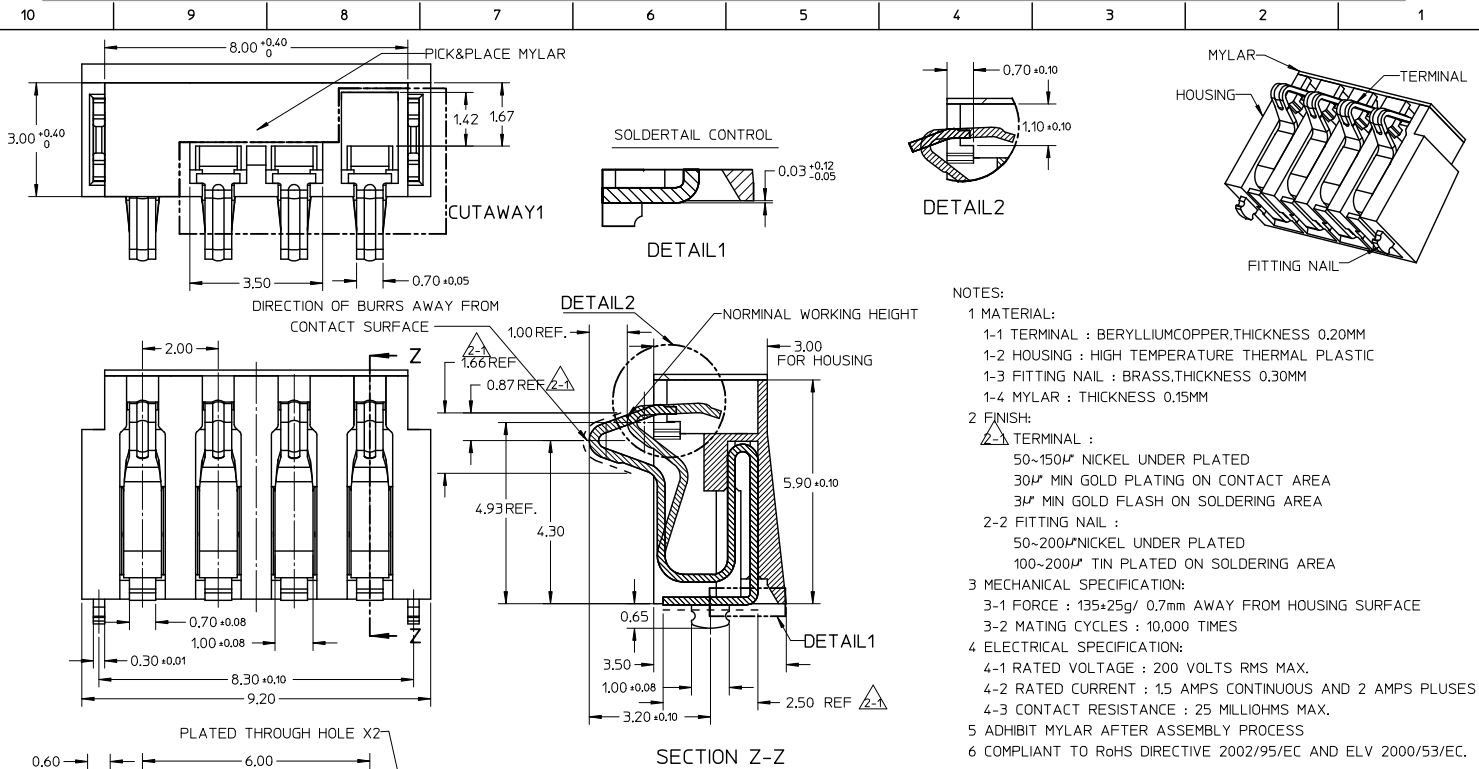
Stocking Distributor

Click to view price, real time Inventory, Delivery & Lifecycle Information:

[Molex Connector Corporation](#)
[0475070001](#)

For any questions, you can email us directly:

sales@integrated-circuit.com



ADD PLATING ZONE EC NO: S2013-0015 DRAWN: WOH 2012/06/27 CHKD: JESSIE CHUA 2012/08/10 APPR: SHONG 2012/08/10	QUALITY SYMBOLS ▽=0 ▽=0	GENERAL TOLERANCES (UNLESS SPECIFIED)		DIMENSION STYLE MM ONLY		SCALE 10:1	DESIGN UNITS METRIC	THIRD ANGLE PROJECTION
		mm	INCH	DRAWN BY XU XIANG	DATE 2006-06-29	TITLE 2.0MM PITCH 4 PINS T/H SIDE CONTACT BATTERY CONN.		
REV E2	DESCRIPTION	4 PLACES	± ---	± ---	CHECKED BY XU XIANG	DATE 2007/03/14	MOLEX INCORPORATED	
		3 PLACES	± ---	± ---	APPROVED BY JNCHEN	DATE 2007/03/19	DOCUMENT NO. SD-47507-001	
DRAFT WHERE APPLICABLE MUST REMAIN WITHIN DIMENSIONS		2 PLACES	± 0.15	± ---	MATERIAL NO. SEE TABLE		SHEET NO. 1 OF 1	
		1 PLACE	± ---	± ---	THIS DRAWING CONTAINS INFORMATION THAT IS PROPRIETARY TO MOLEX INCORPORATED AND SHOULD NOT BE USED WITHOUT WRITTEN PERMISSION			
		ANGULAR ± --- °						