

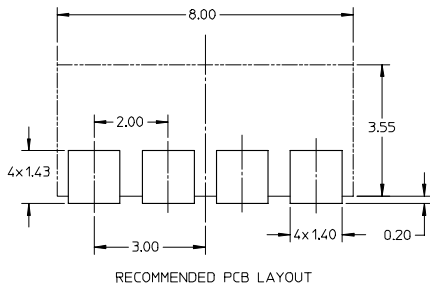
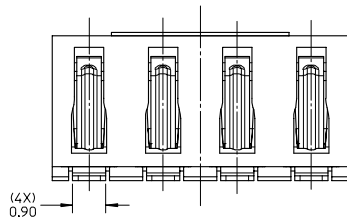
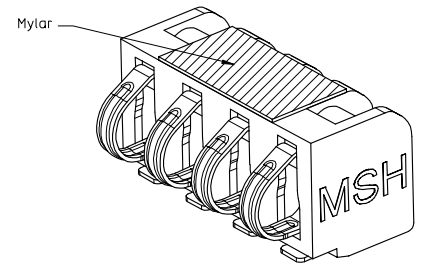
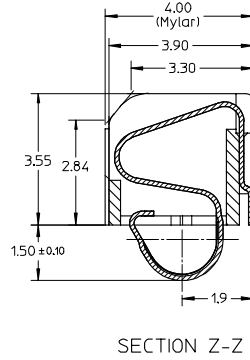
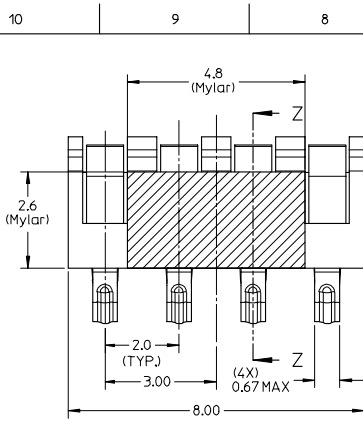
## **Excellent Integrated System Limited**

Stocking Distributor

Click to view price, real time Inventory, Delivery & Lifecycle Information:

[Molex Connector Corporation](#)  
[0475310011](#)

For any questions, you can email us directly:  
[sales@integrated-circuit.com](mailto:sales@integrated-circuit.com)



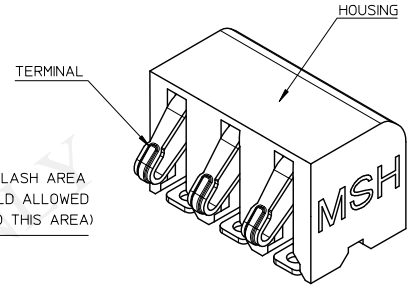
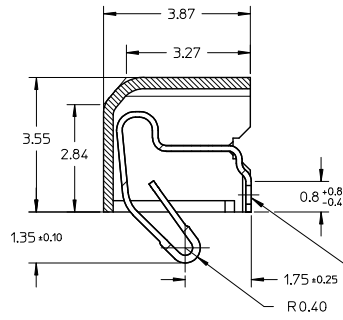
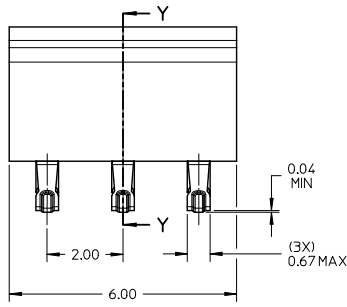
**NOTE:**

- MATERIAL:**  
HOUSING: LCP, 30% GLASS-FILLED, UL 94V-0, COLOR IS BLACK  
TERMINAL: COPPER ALLOY, 0.12 MM BeCu
- FINISH:**  
CONTACT AREA: 30-50 MICRO INCHES GOLD PLATING OVER 50-140 MICRO INCHES NICKEL  
SOLDER AREA: 3 MICRO MIN GOLD FLASH OVER 50-140 MICRO INCHES NICKEL  
REST AREA: 50-140 MICRO INCHES NICKEL
- RECOMMENDED WORKING RANGE 1.05 ~ 0.55 MM.**
- COPLANARITY: 0.1 MAX AMONG THESE SOLDER TAILS.**
- PRODUCT SPECIFICATION: PS-47531-001**

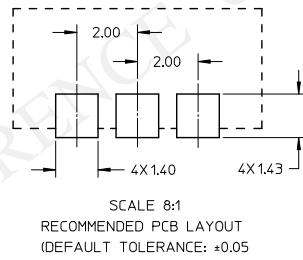
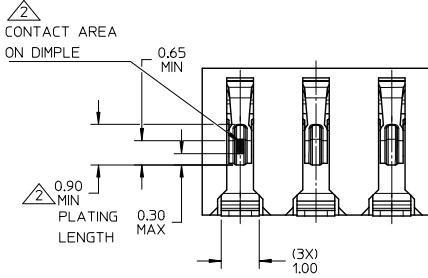
<b>NEW PRODUCT</b> EC NO: SH2007-0529 DRAWN: YLZHU02 CHKD: XUXIANG APPR: JINCHEN DATE: 2007/02/06 DATE: 2007/02/06 DATE: 2007/02/15	QUALITY SYMBOLS ▽=0 ▽=0	GENERAL TOLERANCES (UNLESS SPECIFIED)		
			mm	INCH
		4 PLACES	± 0.15	± 0.006
		3 PLACES	± 0.20	± 0.008
		2 PLACES	± 0.25	± 0.010
1 PLACE	± 0.30	± 0.012		
		ANGULAR ± 5°		
DRAFT WHERE APPLICABLE MUST REMAIN WITHIN DIMENSIONS				

475310011	4 PIN BATTERY CONNECTOR WITHOUT MYLAR		
475310001	4 PIN BATTERY CONNECTOR WITH MYLAR		
PART NUMBER	DESCRIPTION		
DIMENSION STYLE	SCALE	DESIGN UNITS	THIRD ANGLE PROJECTION
MM ONLY	10:1	METRIC	☑
DRAWN BY	DATE	TITLE	
YLZHU02	2007/01/30	ASSEMBLY DRAWING	
CHECKED BY	DATE	4 PIN BATTERY CONNECTOR	
XIXU	2007/01/31	2.0MM PITCH	
APPROVED BY	DATE	MOLEX INCORPORATED	
JINCHEN	2007/01/31	MOLEX INCORPORATED	
MATERIAL NO.	DOCUMENT NO.	SHEET NO.	
SEE TABLE	SD-47531-001	1 OF 1	
THIS DRAWING CONTAINS INFORMATION THAT IS PROPRIETARY TO MOLEX INCORPORATED AND SHOULD NOT BE USED WITHOUT WRITTEN PERMISSION			

10 9 8 7 6 5 4 3 2 1



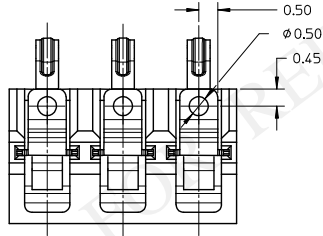
SECTION Y-Y



SCALE 8:1  
RECOMMENDED PCB LAYOUT  
(DEFAULT TOLERANCE: ±0.05)

NOTES :

- MATERIAL :  
HOUSING: LCP, 30% GLASS FILLED, UL94V-0, COLOR: BLACK  
TERMINAL: COPPER ALLOY, 0.15 BECU C17200 290 TM06
- FINISH :  
CONTACT AREA ON DIMPLE : 30 MICRO INCHES MIN GOLD PLATING OVER  
50 MICRO INCHES MIN NICKEL.  
GOLD FLASH ON PATING LENGTH  
SOLDER AREA : GOLD FLASH OVER 50 MICRO MIN INCHES NICKEL  
REST AREA .50 MICRO INCHES MIN NICKEL
- RECOMMENED WORKING RANGE 1.05-0.55 MM.
- COPLANARITY : 0.08MAX AMONG THESE SOLDER TAILS.
- PRODUCT SPECIFICATION : PS-47615-001.



PROPOSED EC NO: SHZ2013-0331 DRAWN: RL 09 2012/02/01 CHKD: CHYK 2013/04/10 APPR: RL 09 REV 1	QUALITY SYMBOLS	GENERAL TOLERANCES (UNLESS SPECIFIED)	DIMENSION STYLE	SCALE	DESIGN UNITS	THIRD ANGLE PROJECTION
	▽=0	mm INCH	MM ONLY	10:1	METRIC	☉ □
	▽=0	4 PLACES ± --- ± ---	DRAWN BY DATE	TITLE		
	▽=0	3 PLACES ± --- ± ---	RL 109 2012/02/01	3 CKTS BATTERY CONNECTOR		
	2 PLACES ± 0.25 ± ---	1 PLACE ± 0.25 ± ---	CHECKED BY DATE	APPROVED BY DATE		
	ANGULAR ± 3 °		RL 109 2013/04/10	MATERIAL NO. DOCUMENT NO.		
		DRAFT WHERE APPLICABLE MUST REMAIN WITHIN DIMENSIONS	476150020		MOLEX INCORPORATED	
			SD-47615-020		SHEET NO. 1 OF 1	
			THIS DRAWING CONTAINS INFORMATION THAT IS PROPRIETARY TO MOLEX INCORPORATED AND SHOULD NOT BE USED WITHOUT WRITTEN PERMISSION			

9 8 7 6 5 4 3 2 1