

Excellent Integrated System Limited

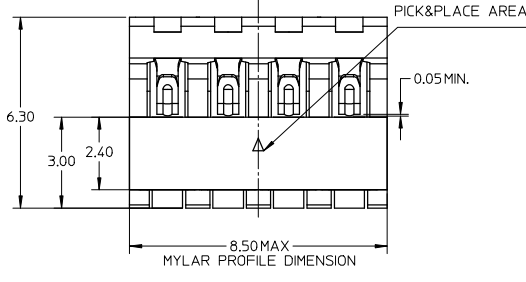
Stocking Distributor

Click to view price, real time Inventory, Delivery & Lifecycle Information:

[Molex Connector Corporation](#)
[0475750001](#)

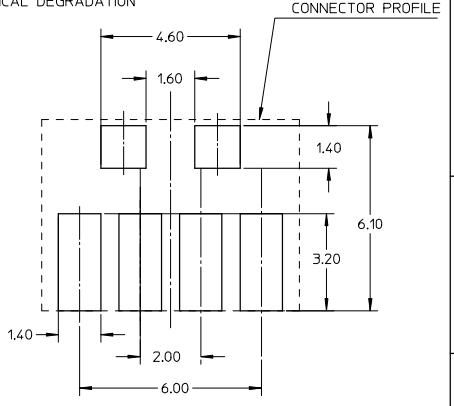
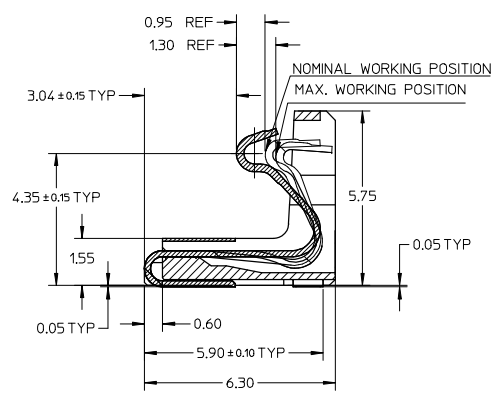
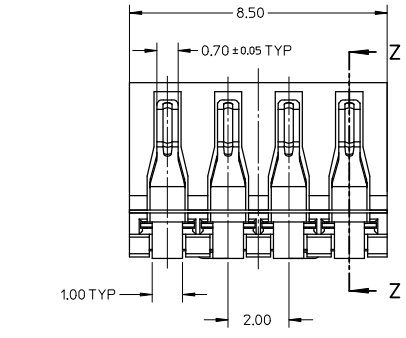
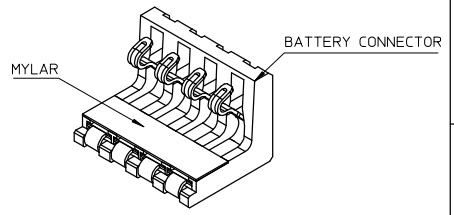
For any questions, you can email us directly:
sales@integrated-circuit.com

10 9 8 7 6 5 4 3 2 1

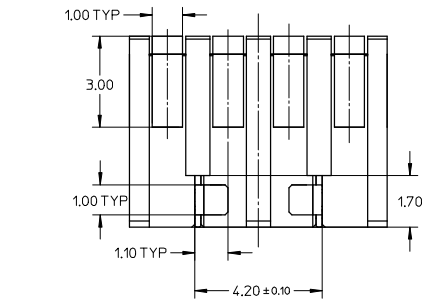


NOTES:

- 1 MATERIAL:
 - 1-1 TERMINAL : BERYLLIUMCOPPER,THICKNESS 0.20MM
 - 1-2 HOUSING : HIGH TEMPERATURE THERMAL PLASTIC
 - 1-3 FITTING NAIL:BRASS,THICKNESS 0.20MM
- 2 FINISH:2-1 TERMINAL :
 - 50~200μ NICKEL UNDER PLATED
 - 30μ MIN GOLD PLATING ON CONTACT AREA
 - 3μ MIN GOLD FLASH ON SOLDERING AREA
- 2-2 FITTING NAIL :
 - 50~200μ NICKEL UNDER PLATED
 - 100~200μ TIN PLATED ON SOLDERING AREA
- 3 MECHANICAL SPECIFICATION
 - NORMAL FORCE: 75g MIN. AT 0.65mm DEFLECTION.
 - 135±25g AT NOMINAL WORKING POSITION.
 - 200g MAX. AT 1.25mm DEFLECTION.
- MATING CYCLES : 10,000 TIMES WITHOUT ELECTRICAL OR MECHANICAL DEGRADATION
- 4.COMPLIANT TO RoHS DIRECTIVE 2002/95/EC AND ELV 2000/53/EC



RECOMMEND PCB LAYOUT TOLERANCE +/-0.05



SECTION Z-Z

RELEASED EC NO. SHZ008-0435 DRAWN BY CHKD:YLZHU APPR:HWANG REV A	DESCRIPTION 2008/04/09 2008/04/11 2008/04/14	QUALITY SYMBOLS	GENERAL TOLERANCES (UNLESS SPECIFIED) 4 PLACES ± --- ± --- 3 PLACES ± --- ± --- 2 PLACES ± 0.10 ± --- 1 PLACE ± 0.15 ± --- ANGULAR ± 3 °	DIMENSION STYLE MM ONLY	SCALE 10:1	DESIGN UNITS METRIC	THIRD ANGLE PROJECTION
		DRAWN BY MSHI DATE 2007/01/11		TITLE 2.0 MM PITCH 4 PINS BATTERY CONN SALES DRAWING			
		CHECKED BY YLZHU DATE 2008/12/28		APPROVED BY HWANG DATE 2008/12/28			
		MATERIAL NO. 475750001		DOCUMENT NO. SD-47575-001	SHEET NO. 1 OF 1		

10 9 8 7 6 5 4 3 2 1