



Excellent Integrated System Limited

Stocking Distributor

Click to view price, real time Inventory, Delivery & Lifecycle Information:

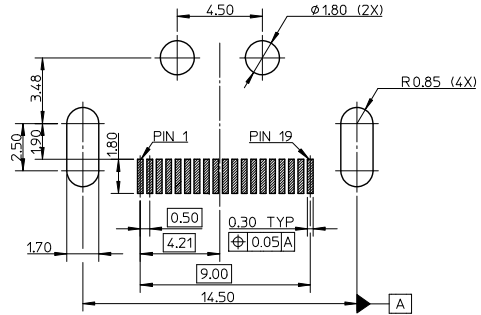
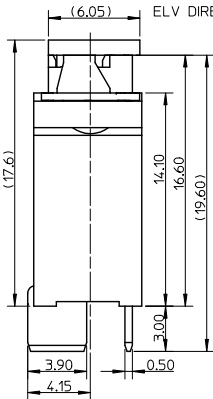
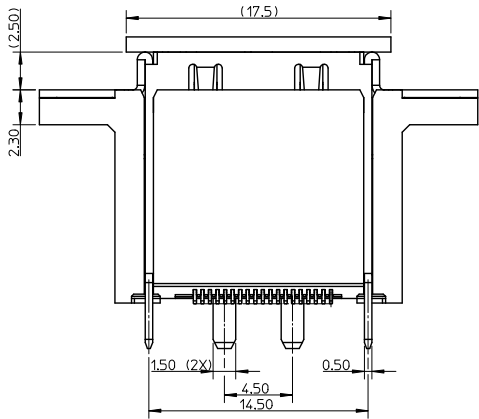
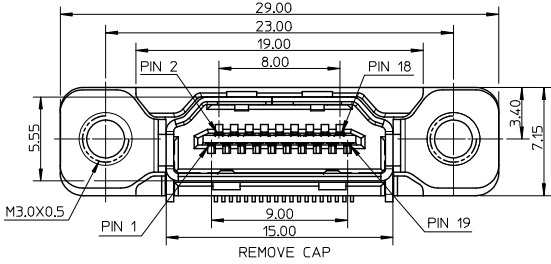
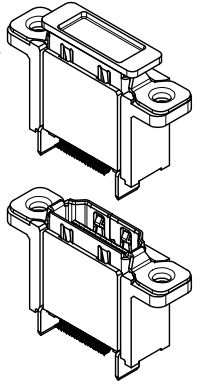
[Molex Connector Corporation](#)
[0476322000](#)

For any questions, you can email us directly:

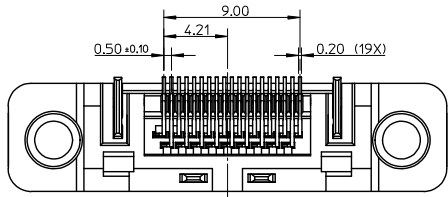
sales@integrated-circuit.com

NOTES:

- MATERIAL:**
HOUSING/COVER: HIGH TEMPERATURE THERMAL PLASTIC,UL 94V-0. COLOR: BLACK.
SHELL: COPPER ALLOY.
TERMINAL: COPPER ALLOY.
- PLATING:**
TERMINAL:
CONTACT AREA: PLATING SPEC REFER TO REMARK IN CHART.
SOLDER AREA: 1 MICROMETER MIN. TIN-BISMUTH ALLOY PLATED.
UNDER PLATE: 127 MICROMETER MIN. NICKEL.
SHELL: 3 MICROMETER MIN. MATTE TIN PLATE OVERALL.
- COPLANARITY:** 0.10mm MAX .
- PRODUCT SPECIFICATION** REFER TO PS-47632-001.
- PACKAGE SPECIFICATION** REFER TO PK-47632-002.
- PRODUCT COMPLIANT** TO RoHS DIRECTIVE 2002/95/EC AND ELV DIRECTIVE 2005/53/EC.



RECOMMENDED PCB LAYOUT
CONNECTOR SIDE
THICKNESS=1.60mm
(GENERAL TOLERANCE: ±0.05)



P/N	CONTACT PLATING SPEC
47632-2000	GOLD 0.38 MICROMETER MIN.
47632-2100	GOLD FLASH

D2	F3-Add UL grade to complete material info.	25.Jun.2013
D1	A8-Gold plating thk 0.3u update to 0.38u (typo error)	28.Jan.2013
REV NO	DESCRIPTION	DATE

REVISED EC NO: S7013-0898 DRAWN: WANGZS 2013/06/25 CHKD: JESSIECHUA 2013/06/25 APPR: SHONG 2013/07/01	QUALITY SYMBOLS ▽=0 ▽=0	GENERAL TOLERANCES (UNLESS SPECIFIED)		DIMENSION STYLE MM ONLY		SCALE 4:1	DESIGN UNITS METRIC	THIRD ANGLE PROJECTION	
		mm	INCH	DRAWN BY CHEN BO	DATE 2007/10/18	TITLE HDMI RECEPTACLE VERTICAL SMT TYPE WITH FLANGE	MATERIAL NO. SEE CHART		
		4 PLACES	±---	±---	CHECKED BY JOHNSON	DATE 2007/10/18	MATERIAL NO. SEE CHART		
		3 PLACES	±---	±---	APPROVED BY HARVEY	DATE 2007/10/18	DOCUMENT NO. SD-47632-200		
		2 PLACES	±0.15	±---	MATERIAL NO. SEE CHART				
		1 PLACE	±0.25	±---					
DRAFT WHERE APPLICABLE MUST REMAIN WITHIN DIMENSIONS		ANGULAR ± 1°		MATERIAL NO. SEE CHART		DOCUMENT NO. SD-47632-200		SHEET NO. 1 OF 1	