

Excellent Integrated System Limited

Stocking Distributor

Click to view price, real time Inventory, Delivery & Lifecycle Information:

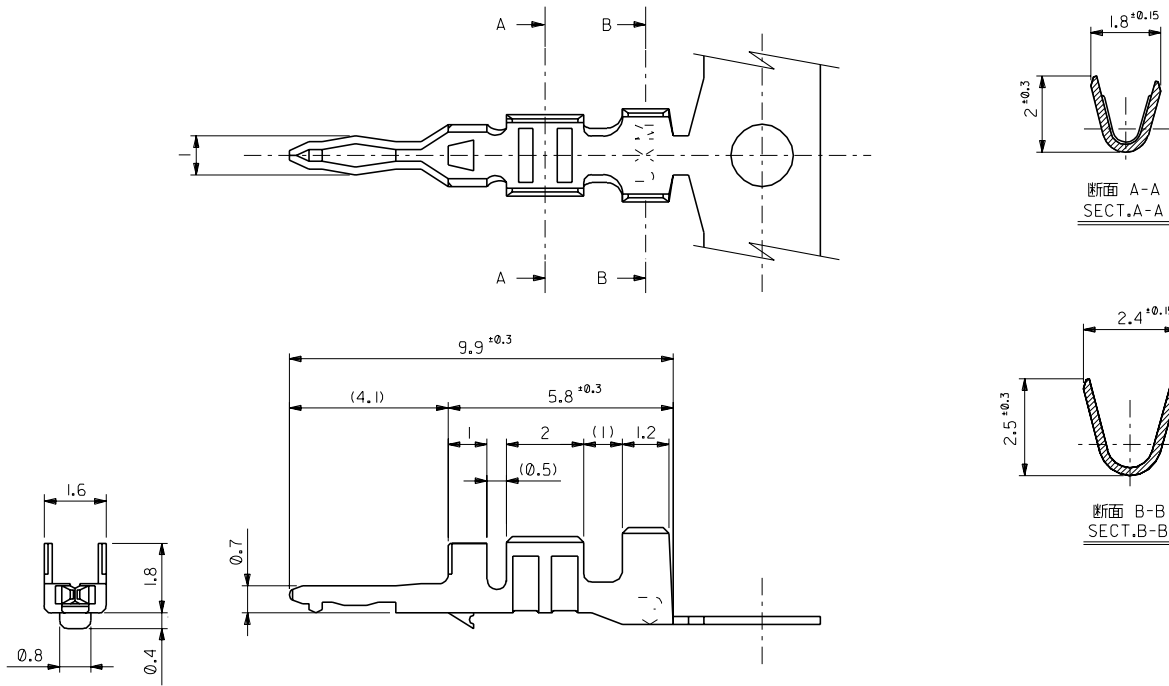
[Molex Connector Corporation](#)
[0500978100](#)

For any questions, you can email us directly:

sales@integrated-circuit.com

DWG. NO. SD-50097-8*00

DIMENSIONS IN METRIC DO NOT SCALE DRAWING



注記
NOTE

1. 適合ハウジング: 51035-***00
APPLICABLE HOUSING: 51035-***00

角度 ANGLE	±3°
30°以上 OVER	±0.3
10°以上 30°未満 UNDER	±0.25
10°未満 UNDER	±0.2
一般公差 GENERAL TOLERANCES	

材料 MATERIAL	リン青銅 (錫メッキ)
PHOSPHOR BRONZE	t:0.203
PRE-TINNED PLATE	
仕上げ FINISH	—
適用電線範囲 WIRE RANGE	AWG #24~20
	KV 0.3~0.5
被覆外径 INS. RANGE	φ1.3~2.1
DRAWN BY	K.KITA
CHK'D BY	M.SAKANO
APP'D BY	M.ENOMOTO
尺度 SCALE	10:1

50097-8100	バラ状
50097-8000	連鎖状
ENG.NO.	形状

	MOLEX-JAPAN CO.,LTD.
	日本モレックス株式会社
REVISE ONLY ON CAD SYSTEM	
TITLE 名称	
BOARD IN CONNECTOR CRIMP PIN	
DWG. NO.	REV
SD-50097-8*00	C

THIS DRAWING CONTAINS INFORMATION THAT IS PROPRIETARY TO MOLEX/JAPAN AND SHOULD NOT BE USED WITHOUT WRITTEN PERMISSION
本図面は日本モレックス(株)の所有する情報を含むもので 当社の許可なく複製を禁止する。 EN-01C(032)MXJ-32

8

7

6

5

4

3

2

1

50097.DWG