

Excellent Integrated System Limited

Stocking Distributor

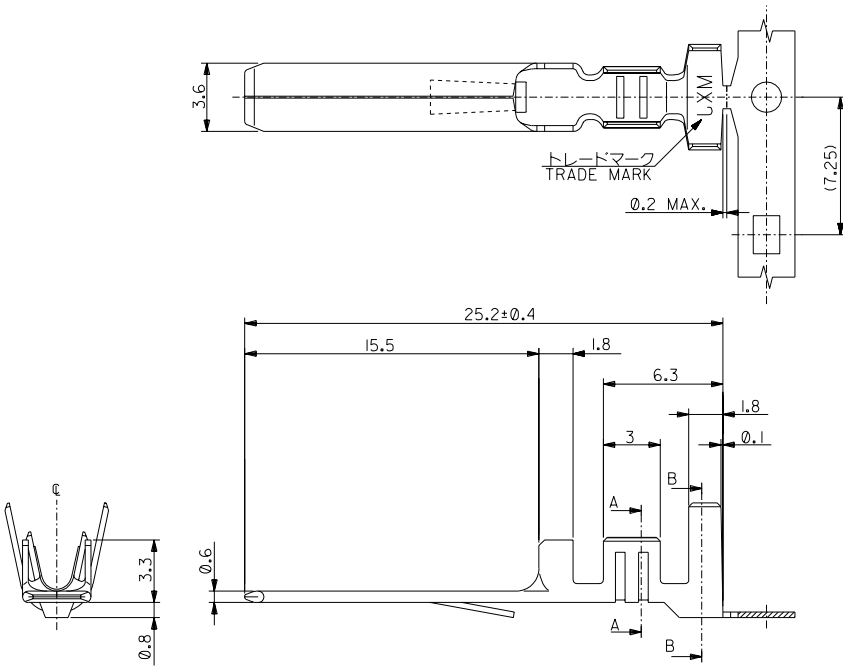
Click to view price, real time Inventory, Delivery & Lifecycle Information:

[Molex Connector Corporation](#)
[0506389128](#)

For any questions, you can email us directly:

sales@integrated-circuit.com

DWG. NO. SD-50638-001



注)

- 1. 材質**
 MATERIAL
 黃銅 (板厚: 0.3)
 BRASS (THICKNESS : 0.3)
- 2. ヌッキ仕様**
 TERMINAL PLATING
 接点部 : 金メッキ 0.1µm MIN.
 CONTACT AREA : GOLD 0.1 MICROMETER MINIMUM.
 : パラジウムニッケルメッキ 0.6µm MIN.
 : Pd-Ni 0.6 MICROMETER MINIMUM.
 圧着部 : 錫メッキ 1.0 µm MIN.
 CRIMP AREA : TIN 1.0 MICROMETER MINIMUM.
 下地メッキ : ニッケルメッキ 1.5 µm MIN.
 UNDER PLATE : NICKEL 1.5 MICROMETER MINIMUM.
3. 適用電線範囲 : UL 1015, UL 1865, AWG #16~14
 APPLICABLE WIRE RANGE : UL 1015, UL 1865, AWG #16~14
4. 被覆外径 : φ3.8 MAX.
 INSULATION EXTERNAL DIA : φ3.8 MAX.
5. 50638-9028 は 50638-9049 の鉛フリー品である。
 50638-9128 は 50638-9149 の鉛フリー品である。
 50638-9028 IS LEAD FREE OF 50638-9049.
 50638-9128 IS LEAD FREE OF 50638-9149.

バラ状 LOOSE	50638-9128
連鎖状 CHAIN	50638-9028
端子形状 TERMINAL CONFIGURATION	MATERIAL NO.

DO NOT SCALE DRAWING

8 E82N.O. DRWN: CHK: APPR:	7 E83N.O. DRWN: CHK: APPR:	6 E84N.O. DRWN: CHK: APPR:	5 E85N.O. DRWN: CHK: APPR:	4 E86N.O. DRWN: CHK: APPR:	3 E87N.O. DRWN: CHK: APPR:	2 E88N.O. DRWN: CHK: APPR:	MODEL NO. 50638-****		DIMENSIONS:		SHT	REV						
							GENERAL TOLERANCES: (UNLESS SPECIFIED) 一般公差		SCALE 5:1	DESIGN UNITS <input type="checkbox"/> mm <input type="checkbox"/> INCH		PROJECTION <input type="checkbox"/> mm <input type="checkbox"/> INCH <input type="checkbox"/> mm ONLY		TITLE: 2mm PITCH AC/DC CONN. PLUG CRIMP TERM. (Mi II DRAWER CONNECTOR) -LEAD FREE-		SEE CHART		SHEET NO. 1 OF 1
							10 UNDER 未満 +0.2 10 OVER 以上 30 UNDER 未満 +0.25 30 OVER 以上 +0.3		DRAWN BY & DATE M.NAGATA '04/05/10		CHECKED BY & DATE K.TOJO '04/05/10		APPROVED BY & DATE M.SASAO '04/05/10		CAD FILENAME SD-50638-001LS01		MATERIAL NO. DRAWING NO. SD-50638-001	

 F
E
D
C
B
A