

## Excellent Integrated System Limited

Stocking Distributor

Click to view price, real time Inventory, Delivery & Lifecycle Information:

[Molex Connector Corporation](#)  
[0510350900](#)

For any questions, you can email us directly:

[sales@integrated-circuit.com](mailto:sales@integrated-circuit.com)

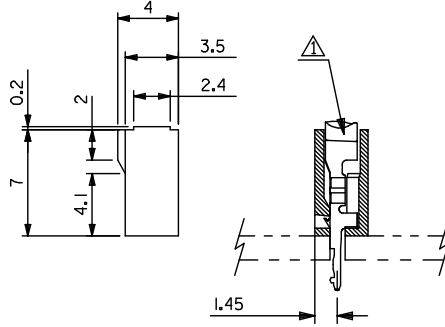
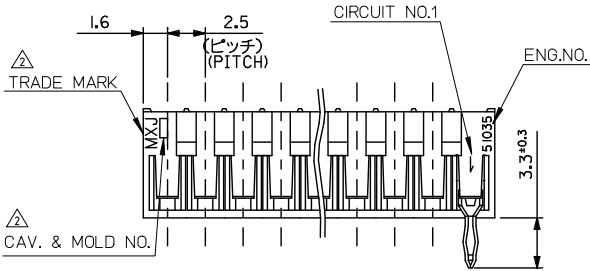
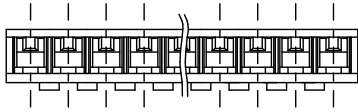
10 9 8 7 6 5 4 3 2 1

**注記  
NOTE**

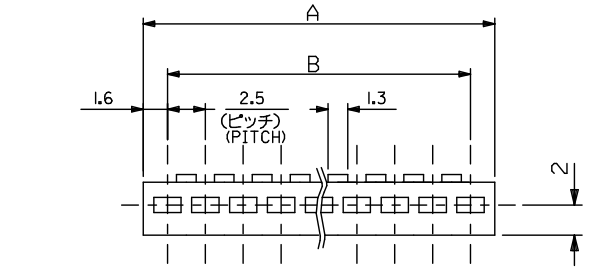
- △ 適合ターミナル: 500978\*00  
APPLICABLE: 500978\*00
- △ トレードマーク: MXJにて表示。  
キャビティ番号: 1桁から2桁の数字にて表示。 金型番号: アルファベット1文字にて表示。  
TRADE MARK IS FORMED BY MXJ.  
AND BY 1-2 DIGIT NUMBER (TO CAVITY NO.)  
AND BY 1 LETTER OD ALPHABET (TO MOLD NO.)
- 3. ELV及びRoHS適合品  
ELV AND RoHS COMPLIANT.

(公差非累積)  
(NON-ACCUMULATIVE)  
2.5<sup>+0.1</sup>  
(ピッチ)  
(PITCH)

基板取付穴推奨寸法 (基板厚: 1.6mm)  
RECOMMENDED PC BOARD HOLE DIMENSION  
(THICKNESS: 1.6mm)



42.5	45.7	51035 1800	18
37.5	40.7	↑ 1600	16
35.0	38.2	1500	15
32.5	35.7	1400	14
30.0	33.2	1300	13
27.5	30.7	1200	12
25.0	28.2	1100	11
22.5	25.7	1000	10
20.0	23.2	0900	9
17.5	20.7	0800	8
15.0	18.2	0700	7
12.5	15.7	0600	6
10.0	13.2	0500	5
7.5	10.7	0400	4
5.0	8.2	0300	3
2.5	5.7	51035 0200	2
B	A	ORDER NO.	9CKT.



材料 MATERIAL	POLYAMIDE, UL94V-0
適用電線範囲 WIRE RANGE	AWG#24~20,KVQ.2~0.5 AVSQ.3~0.5
被覆外径 INS. RANGE	φ1.3~2.1

REVISED EC NO. J2016-0744 DRAWING#31 CHKD:SKIKYAMA APPR:IKANEKO REV H	DESCRIPTION	GENERAL TOLERANCES (UNLESS SPECIFIED)	DIMENSION STYLE MM ONLY	SCALE 4:1	DESIGN UNITS METRIC	THIRD ANGLE PROJECTION
		10 UNDER ± 0.2	DRAWN BY DATE KSANO 1996/06/30	2.5 BOARD IN CONN. HOUSING		
		10 OVER 30 UNDER ± 0.25	CHECKED BY DATE MSAKANO 1996/06/30			
		30 OVER ± 0.3	APPROVED BY DATE MENOMOTO 1996/06/30			
	ANGULAR ± 3 °	MATERIAL NO. SEE CHART				
	DRAFT WHERE APPLICABLE MUST REMAIN WITHIN DIMENSIONS	THIS DRAWING CONTAINS INFORMATION THAT IS PROPRIETARY TO MOLEX INCORPORATED AND SHOULD NOT BE USED WITHOUT WRITTEN PERMISSION		DOCUMENT NO. SD-51035-001	SHEET NO. 1 OF 1	

9 8 7 6 5 4 3 2 1