

## Excellent Integrated System Limited

Stocking Distributor

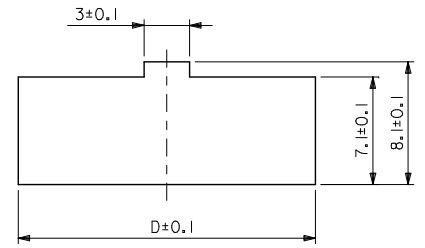
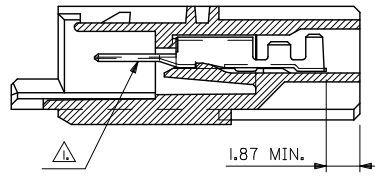
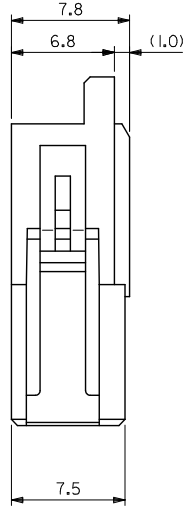
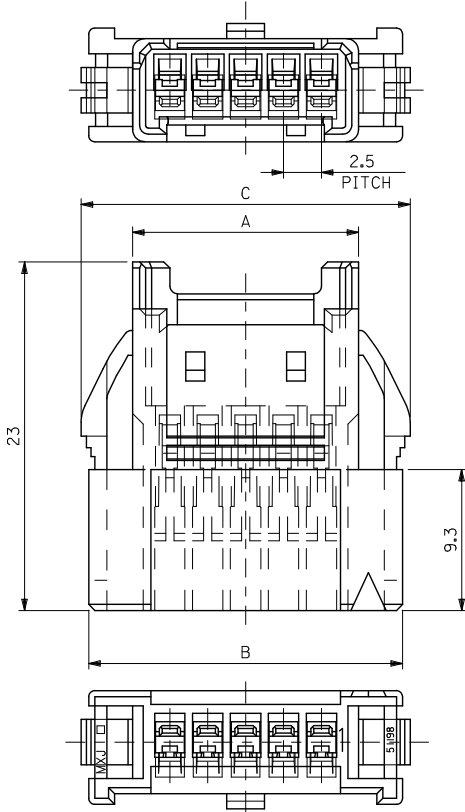
Click to view price, real time Inventory, Delivery & Lifecycle Information:

[Molex Connector Corporation](#)  
[0511981300](#)

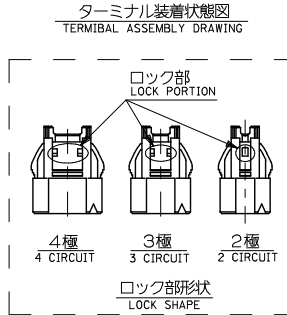
For any questions, you can email us directly:

[sales@integrated-circuit.com](mailto:sales@integrated-circuit.com)

CONFIDENTIAL



参考パネルスロット寸法  
PANEL SLOT DIM.(REF.)  
(パネル厚: 0.8 ~ 2.0)  
(THICKNESS : 0.8 ~ 2.0)



注記  
NOTES.

- 適合端子 : 50837-8\*00  
APPLICABLE TERMINAL
- 本図は、5種を示す。  
5 CIRCUIT VERSION IS SHOWN  
IN THIS DRAWING.
- ハウジングは、パネル打ち抜き側から  
挿入すること。  
INSERT HOUSING FROM PUNCH  
SIDE OF PANEL

44.6	46.7	45.7	39.9	51198-1500	15
42.1	44.2	43.2	37.4	-1400	14
39.6	41.7	40.7	34.9	-1300	13
37.1	39.2	38.2	32.4	-1200	12
32.1	34.2	33.2	27.4	-1000	10
29.6	31.7	30.7	24.9	-0900	9
27.1	29.2	28.2	22.4	-0800	8
24.6	26.7	25.7	19.9	-0700	7
22.1	24.2	23.2	17.4	-0600	6
19.6	21.7	20.7	14.9	-0500	5
17.1	19.2	18.2	12.4	-0400	4
14.6	16.7	15.7	9.9	-0300	3
12.1	14.2	13.2	7.4	51198-0200	2
D	C	B	A	製品番号 MATERIAL NO.	NO. OF CIRCUIT

MATERIAL

ポリエステル(PBT) POLYESTER  
色:白 COLOR : WHITE  
UL94V-0

REVISED EC NO. J2016-0730 DRAWN:KOBAYASHI CHKD:SAKIYAMA APPR:IKANEKO 2016/02/02 2016/02/02 2016/02/22	GENERAL TOLERANCES (UNLESS SPECIFIED)			DIMENSION STYLE		SCALE	DESIGN UNITS	THIRD ANGLE PROJECTION	
	0.25 UNDER	UNDER	±0.03	MM ONLY		4:1	METRIC	◎ □	
	0.25 OVER	0.5 UNDER	±0.05	DRAWN BY		DATE		TITLE	
	0.5 OVER	1.0 UNDER	±0.1	M. YAGI		1998/05/14		2.5 WIRE TO BOARD CONN. PANEL MOUNT HSG	
	1.0 OVER	10 UNDER	±0.2	CHECKED BY		DATE		molex DOCUMENT NO. SD-51198-002 SHEET NO. 1 OF 1	
10 OVER	30 UNDER	±0.25	Y. ITO		1998/05/14				
30 OVER		±0.3	APPROVED BY		DATE				
ANGULAR	±3 °		HIKESUGI		1998/05/14				
DRAFT WHERE APPLICABLE MUST REMAIN WITHIN DIMENSIONS			SIZE	SEE CHART					
			A3	THIS DRAWING CONTAINS INFORMATION THAT IS PROPRIETARY TO MOLEX ELECTRONIC TECHNOLOGIES, LLC AND SHOULD NOT BE USED WITHOUT WRITTEN PERMISSION					