

Excellent Integrated System Limited

Stocking Distributor

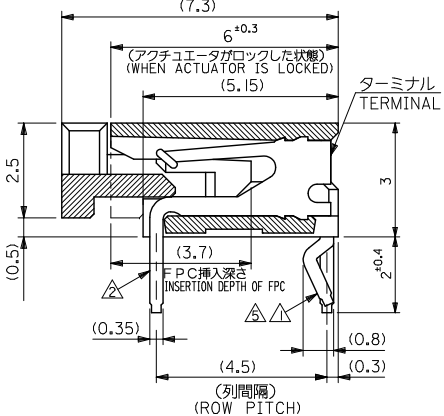
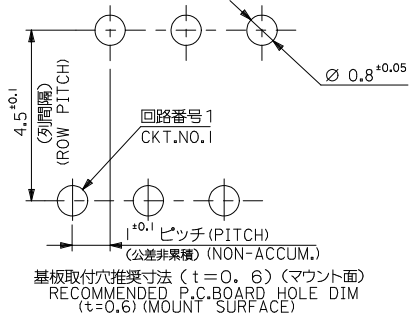
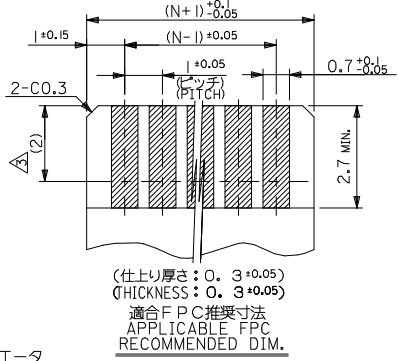
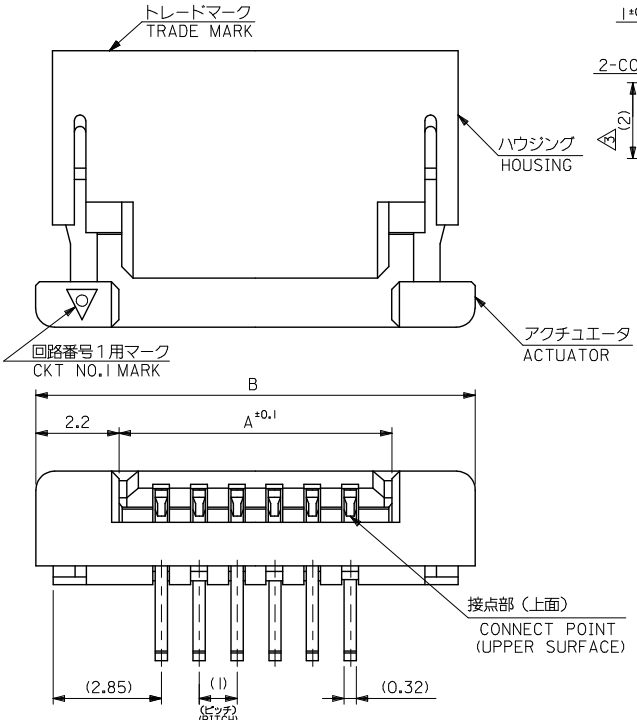
Click to view price, real time Inventory, Delivery & Lifecycle Information:

[Molex Connector Corporation](#)
[0520891119](#)

For any questions, you can email us directly:

sales@integrated-circuit.com

10 9 8 7 6 5 4 3 2 1



25.6	21.2	52089-2019	20
21.6	17.2	52089-1619	16
20.6	16.2	52089-1519	15
15.6	11.2	52089-1019	10
14.6	10.2	52089-0919	9
13.6	9.2	52089-0819	8
12.6	8.2	52089-0719	7
10.6	6.2	52089-0519	5
9.6	5.2	52089-0419	4
B	A	MATERIAL NO.	種数 CKT.

- 注記 NOTES**
- △ CKT. NO. 1を基準に偶数番目のソルダータール。
EVEN NUMBER SOLDER TAIL
 - △ CKT. NO. 1を基準に奇数番目のソルダータール。
ODD NUMBER SOLDER TAIL
 - △ 接点部までの嵌合長さ。
LENGTH TO CONTACT POINT.
 - 4. 使用材料 MATERIAL
ハウジング : 66ナイロン, UL94V-0
アクチュエータ : ポリエステル, UL94V-0
ターミナル : リン青銅, ニッケル下地 錫・ビスマスメッキ
TERMINAL : PHOS-BRO.TIN-BISMUTM OVER NICKEL-PLATED
 - △ キングはソルダータールの両端のみに適用。
KINK APPLIES BOTH SIDE △ TERMINALS ONLY
 - 6. 本製品は 52089-**10 の鉛フリー品である。
THIS PRODUCT IS LEAD FREE OF 52089-**10.

REVISED EC NO. J2016-1317 DRAWN: SHIBATA CHKD: Y010 APPR: Y010	2016/06/29	2016/06/30	2016/06/30	GENERAL TOLERANCES (UNLESS SPECIFIED)		DIMENSION STYLE		SCALE	DESIGN UNITS	THIRD ANGLE PROJECTION	
	0.25	UNDER	UNDER	±0.03	MM ONLY		10:1	METRIC			
	0.25	OVER	0.5	UNDER	±0.05	DRAWN BY	DATE	TITLE			
	0.5	OVER	1.0	UNDER	±0.1	J. SASAMO	2004/7/22	1.0 FPC CONN ZIF R/A			
1.0	OVER	10	UNDER	±0.2	CHECKED BY	DATE	-LEAD FREE-				
10	OVER	30	UNDER	±0.25	K. TOJO	2004/7/22	molex				
30	OVER			±0.3	APPROVED BY	DATE	DOCUMENT NO.				
ANGULAR	±3°				N. UKITA	2004/7/22	52089-**19				
DRAFT WHERE APPLICABLE MUST REMAIN WITHIN DIMENSIONS				SIZE	THIS DRAWING CONTAINS INFORMATION THAT IS PROPRIETARY TO MOLEX ELECTRONIC TECHNOLOGIES, LLC AND SHOULD NOT BE USED WITHOUT WRITTEN PERMISSION						
				A3	SD-52089-001			SHEET NO.		1 OF 1	

10 9 8 7 6 5 4 3 2 1