

Excellent Integrated System Limited

Stocking Distributor

Click to view price, real time Inventory, Delivery & Lifecycle Information:

[Molex Connector Corporation](#)
[0522712179](#)

For any questions, you can email us directly:

sales@integrated-circuit.com

DWG. NO. SD-52271-036

E

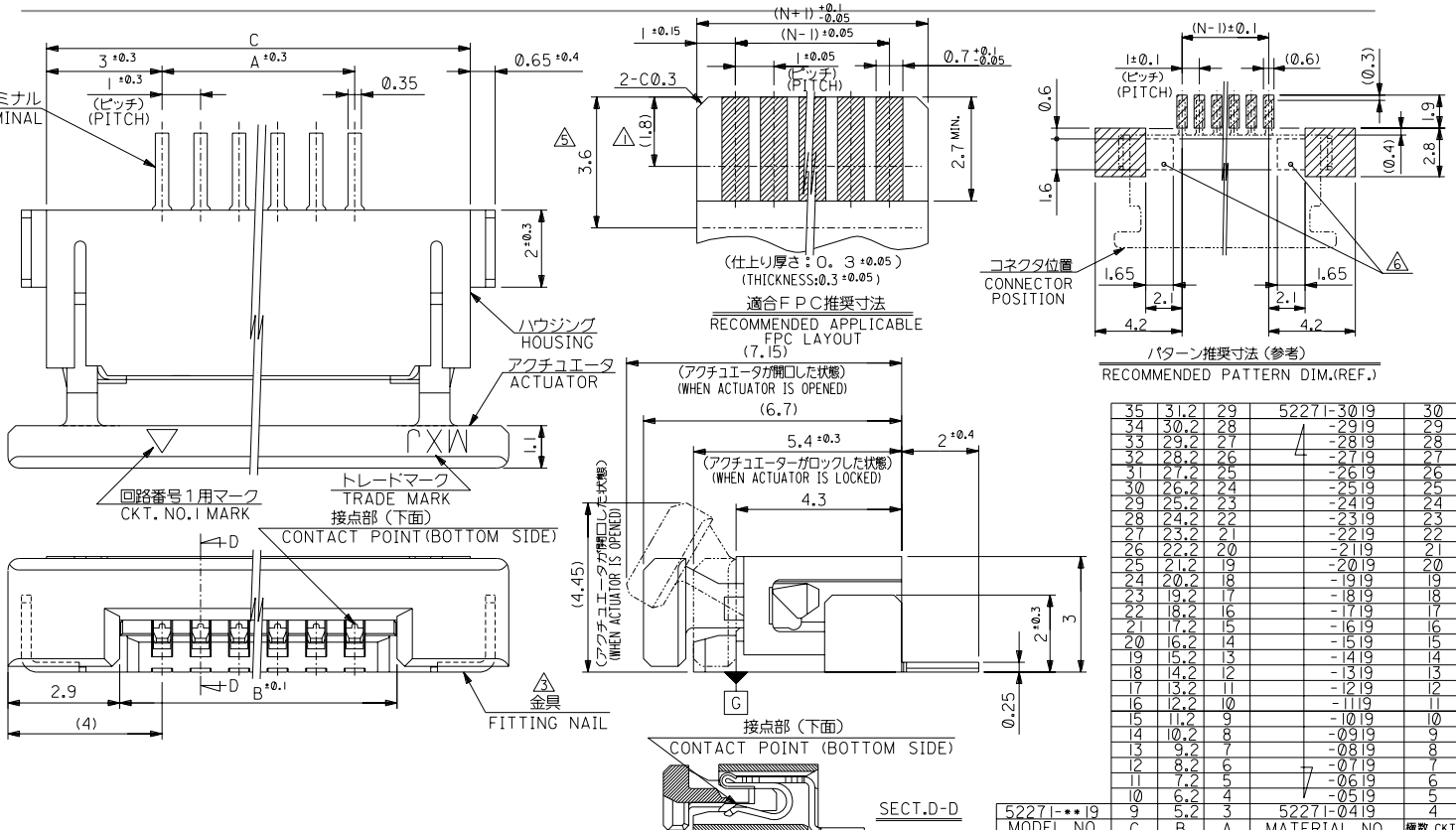
D

C

B

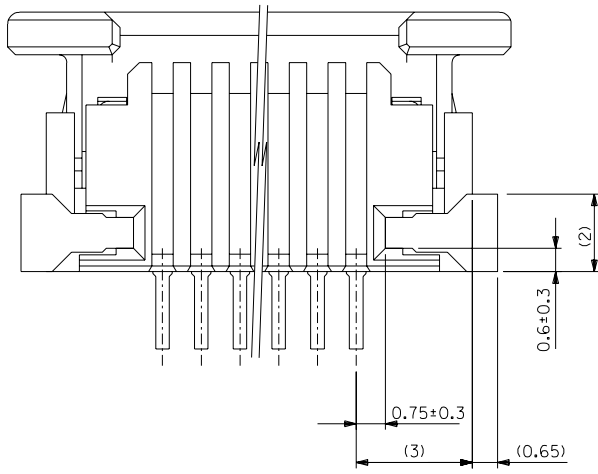
A

1MM DIMENSIONS IN METRIC DO NOT SCALE DRAWING



52271-***19		MODEL NO.		C	B	A	MATERIAL NO.	極数	CKT.
材料 MATERIAL		注記参照 SEE NOTES		MOLEX-JAPAN CO.,LTD. 日本モレックス株式会社					
仕上げ FINISH		注記参照 SEE NOTES		REVISE ONLY ON CAD SYSTEM					
適用電線範囲 WIRE RANGE		注記参照 SEE NOTES		TITLE 名称 I.0 FPC CONN. Z.I.F. SMT (BOTTOM CONTACT)					
角度 ANGLE		注記参照 SEE NOTES		-LEAD FREE-					
30以上 OVER		注記参照 SEE NOTES		DWG. NO. (SHEET 1 OF 2) REV B					
10以上 30未満 UNDER		注記参照 SEE NOTES		SD-52271-036					
10未満 UNDER		注記参照 SEE NOTES		EN-01C(032)MXJ-32					
一般公差 GENERAL TOLERANCES		注記参照 SEE NOTES		THIS DRAWING CONTAINS INFORMATION THAT IS PROPRIETARY TO MOLEX(JAPAN) AND SHOULD NOT BE USED WITHOUT WRITTEN PERMISSION					
記号 I/TR		変更内容 REVISION RECORD		本図面は日本モレックス(株)の所有する情報を含むもので当社の許可なく複製を禁止する。					
Dr. / Chk. / Date		Dr. / Chk. / Date							

DWG. NO. SD-52271-036
E
D
C
B
A
DIMENSIONS IN METRIC DO NOT SCALE DRAWING



下面図

注記 NOTES

- △ 接点部までの嵌合長さ。
LENGTH TO CONTACT POINT.
- 2. 使用材料 MATERIAL
ハウジング : 46ナイロン, UL94V-0
HOUSING : 46NYLON, UL94V-0
アクチュエータ : PPS, UL94V-0
ACTUATOR : PPS, UL94V-0
ターミナル : リン青銅 (t=0.25)
TERMINAL : PHOS-BRO.(t=0.25)
メッキ : 銅ビスマスマッキ 1.0マイクロメートル以上
PLATING : TIN-BISMUTH 1.0 MICROMETER MINIMUM
: ニッケル下地 1.0マイクロメートル以上
PLATING : NICKEL(UNDER PLATING) 1.0 MICROMETER MINIMUM
- 金具 : 銅合金 (t=0.25)
FITTING NAIL : COPPER ALLOY (t=0.25)
メッキ : 錫メッキ 1.0マイクロメートル以上
PLATING : TIN 1.0 MICROMETER MINIMUM
: ニッケル下地 1.0マイクロメートル以上
PLATING : NICKEL(UNDER PLATING) 1.0 MICROMETER MINIMUM
- △ パターンはくり止め用金具
FITTING NAIL FOR PREVENTION OF PEELING OF P.C.B.PATTERN.
- 4. エンボステープ梱包時は、アクチュエータがロックした状態とする。
WHEN CONNECTOR IS SHIPPED, ACTUATOR SHOULD BE LOCKED.
- △ FPC挿入深さ。
INSERTION DEPTH OF FPC
- △ パターン書き込み禁止エリア。
NO FOOT PRINT AREA.
- 7. 本製品は52271-**-17の鉛フリー品である。
THIS PRODUCT IS LEAD FREE OF 52271-**-17.

FPCについて:

打抜き方向は導体側から補強板側を推奨致します。
補強フィルム材質はポリイミドを推奨致します。
接着剤は熱硬化接着剤を推奨致します。

ABOUT FPC:
RECOMMENDED PUNCHER DIRECTION :FROM CONDUCTOR SIDE TO STIFFENER BOARD SIDE.
RECOMMENDED MATERIAL :
STIFFENER FILM : POLYIMIDE
BONDING AGENT : THERMOSETTING BONDING AGENT

MODEL NO. 52271-**-19

材料 MATERIAL		注記参照 SEE NOTES	MOLEX-JAPAN CO.,LTD. 日本モレックス株式会社
仕上げ FINISH		注記参照 SEE NOTES	
適用電線範囲 WIRE RANGE		---	REVISE ONLY ON CAD SYSTEM
被覆外径 INS. RANGE		---	TITLE 名称
角度 ANGLE	+3°		I/O FPC CONN. Z.I.F. SMT (BOTTOM CONTACT)
30以上 OVER	+0.3	B 変更 (2004-355)	-LEAD FREE-
10以上 30未満 UNDER	+0.25	A 変更 (2004-337)	DWG. NO. (SHEET 2 OF 2) REV
10未満 UNDER	+0.2	O 新規作成 (2004-3059)	SD-52271-036 B
一般公差 GENERAL TOLERANCES		社号 LTR 変更内容 REVISION RECORD	
		DR. CHK. DATE	

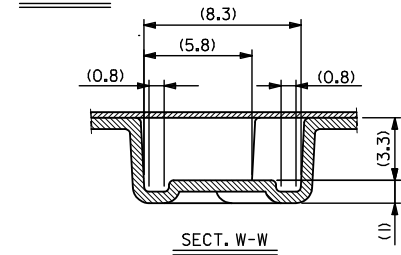
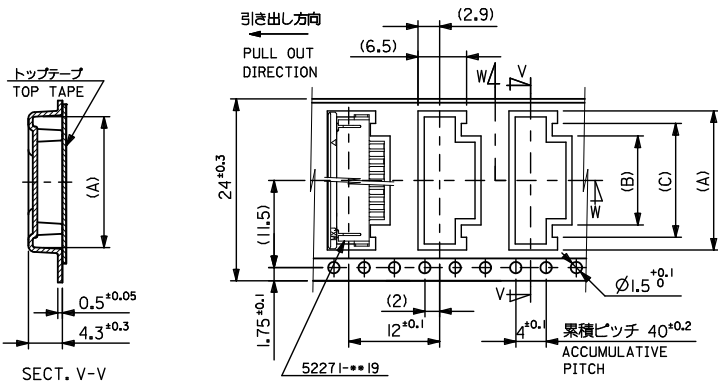
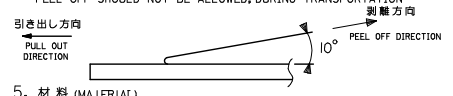
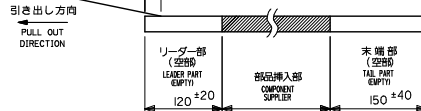
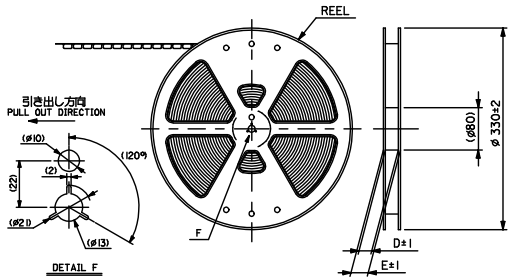
THIS DRAWING CONTAINS INFORMATION THAT IS PROPRIETARY TO MOLEX(JAPAN) AND SHOULD NOT BE USED WITHOUT WRITTEN PERMISSION
本図面は日本モレックス(株)の所有する情報を含むもので 当社の許可なく複製を禁止する。
EN-01C(032)MXJ-32

8 7 6 5 4 3 2 1

10 9 8 7 6 5 4 3 2 1

NOTES

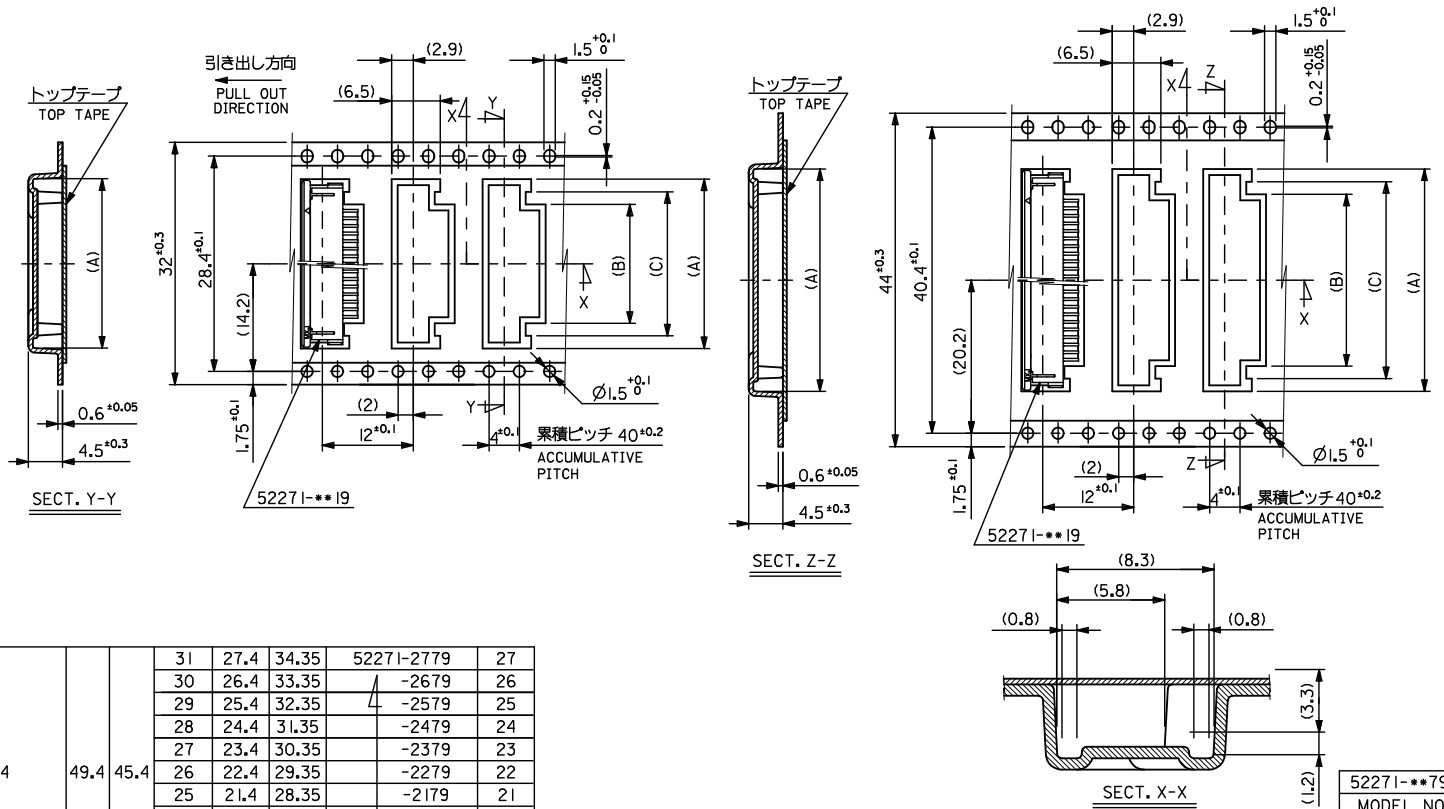
- 製品番号 52271-**-19 の梱包状態はアクチュエータがロックした状態とする。
IN THE PACKAGE, ACTUATOR OF PART NO. 52271-**-19 SHOULD BE LOCKED RE DETAILED DIMENSIONS, SEE SD-52271-036.
- 梱包数量: 1000個/リール
NUMBER OF CONNECTORS: 1000 PCS/REEL
- リードテープ長さ LEAD TAPE LENGTH
トップテープ リーダー部 (175 ±25)
トップテープ 未接部 (25 ±5)
- トップテープの剥離強度: 0.1~1.3N (10~130gf) (剥離方向は下図参照)
PEELING OFF FORCE OF TOP TAPE: 0.1~1.3N (10~130gf) (PEELING DIRECTION AS SHOWN IN FOLLOWING FIG.)
THIS REQUIREMENT SHOULD BE APPLIED AT SHIPMENT
PEEL OFF SHOULD NOT BE ALLOWED, DURING TRANSPORTATION
- 材料 (MATERIAL)
キャリアテープ (CARRIER TAPE): ポリプロピレン (POLYPROPYLENE)
トップテープ (TOP TAPE): PET, PE, PEF
リール (REEL): ポリスチレン (PS) (リサイクル材を含む)
POLYSTYREN (PS) (RECYCLE MATERIAL CONTAINED)
- 本製品は52271-**-90の鉛フリー品である。
THIS PRODUCT IS LEAD FREE OF 52271-**-90.
- 本製品は乾燥剤入り、ハイバリア梱包仕様である。
THIS PRODUCT IS HIGH BARRIER PACKAGE WITH DESICCANT.



24	29.4	25.4	15	11.4	18.3	52271-1179	11
			14	10.4	17.3	-1079	10
			13	9.4	16.3	-0979	9
			12	8.4	15.3	-0879	8
			11	7.4	14.3	-0779	7
			10	6.4	13.3	-0679	6
			9	5.4	12.3	-0579	5
			8	4.4	11.3	52271-0479	4

REVISED	2009/05/20 DRAWN: KON CHIKDHATSUMOTO	2009/05/21 CHECKED BY CHIKDHATSUMOTO	2009/05/21 APPROVED: MUKITA	DESCRIPTION	GENERAL TOLERANCES (UNLESS SPECIFIED)	10 UNDER ±0.2	10 OVER 30 UNDER ±0.25	30 OVER ±0.3	ANGULAR ±0.3	DRAFT WHERE APPLICABLE MUST REMAIN WITHIN DIMENSIONS	52271-**-79	MODEL NO.	キャリアテープ幅	E	D	(C)	(B)	(A)	MATERIAL NO.	種数			
DIMENSION STYLE: MM ONLY											SCALE: ---		DESIGN UNITS: METRIC		THIRD ANGLE PROJECTION		EMBOSSED TAPE PACKAGE FOR 52271-**-19 -LEAD FREE-						
DRAWN BY: H. KAWABATA DATE: 2004/03/12											CHECKED BY: K. TOJO DATE: 2004/03/12		APPROVED BY: M. SASAO DATE: 2004/03/12		MATERIAL NO.		DOCUMENT NO.		MOLEX INCORPORATED				
SEE TABLE											SD-52271-037		SHEET NO. 1 OF 3		THIS DRAWING CONTAINS INFORMATION THAT IS PROPRIETARY TO MOLEX INCORPORATED AND SHOULD NOT BE USED WITHOUT WRITTEN PERMISSION								

10 9 8 7 6 5 4 3 2 1

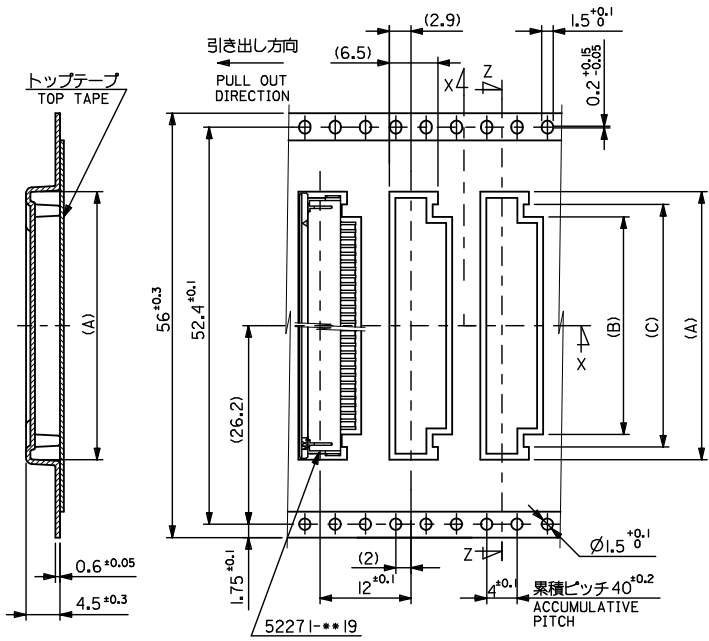


44	49.4	45.4	31	27.4	34.35	52271-2779	27
			30	26.4	33.35	-2679	26
			29	25.4	32.35	-2579	25
			28	24.4	31.35	-2479	24
			27	23.4	30.35	-2379	23
			26	22.4	29.35	-2279	22
			25	21.4	28.35	-2179	21
			24	20.4	27.35	-2079	20
			23	19.4	26.35	-1979	19
			22	18.4	25.35	-1879	18
			21	17.4	24.35	-1779	17
32	37.4	33.4	20	16.4	23.35	-1679	16
			19	15.4	22.35	-1579	15
			18	14.4	21.35	-1479	14
			17	13.4	20.35	-1379	13
			16	12.4	19.35	-1279	12
			(C)	(B)	(A)	MATERIAL NO.	電 料 部 品 記 号

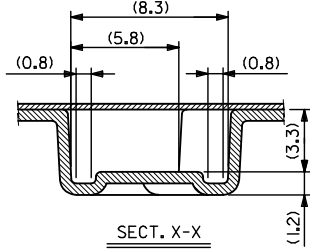
REVISED IEC NO. J2009-2061 DRAWN BY CHIKO-HAMATSUMOTO APPROVED BY APRR-NUKITA	GENERAL TOLERANCES (UNLESS SPECIFIED)	DIMENSION STYLE MM ONLY	SCALE ---	DESIGN UNITS METRIC	THIRD ANGLE PROJECTION	
	10 UNDER ±0.2 10 OVER 30 UNDER ±0.25 30 OVER ±0.3 ANGULAR ±3°	DRAWN BY H. KAWABATA CHECKED BY K. TOJO APPROVED BY M. SASAO	DATE 2004/03/12 DATE 2004/03/12 DATE 2004/03/12	TITLE EMBOSSED TAPE PACKAGE FOR 52271-**-19 -LEAD FREE-		
	DRAFT WHERE APPLICABLE MUST REMAIN WITHIN DIMENSIONS	MATERIAL NO. SEE TABLE	DOCUMENT NO. SD-52271-037	MOLEX INCORPORATED		
	THIS DRAWING CONTAINS INFORMATION THAT IS PROPRIETARY TO MOLEX INCORPORATED AND SHOULD NOT BE USED WITHOUT WRITTEN PERMISSION		SHEET NO. 2 OF 3	EN-02JA(021)		

キャリアテープ幅
CARRIER TAPE WIDTH
tb_frame_A3_ME_S
Rev. E 2006/04/15

10 9 8 7 6 5 4 3 2 1



SECT. Z-Z



SECT. X-X

56	61.4	57.4	34	30.4	37.35	52271-3079	30
			33	29.4	36.35	52271-2979	29
			32	28.4	35.35	52271-2879	28
			(C)	(B)	(A)	MATERIAL NO.	電 要 書 番 号

キャリアテープ幅
CARRIER TAPE WIDTH
tb_frame_A3_ME_S
Rev. E 2006/04/15

REVISED		GENERAL TOLERANCES (UNLESS SPECIFIED)		DIMENSION STYLE		SCALE		MODEL NO.		52271-***79	
IEC NO. J2009-2061		10 UNDER ±0.2		MM ONLY		---		DESIGN UNITS		THIRD ANGLE PROJECTION	
DRAWN: KON		10 OVER 30 UNDER ±0.25		DRAWN BY DATE		---		METRIC		⊙ □	
CHIKUHMATSUMOTO		30 OVER ±0.3		H. KAWABATA 2004/03/12		---		TITLE		EMBOSSED TAPE PAKEGE FOR 52271-***19 -LEAD FREE-	
APPROPRIATE		ANGULAR ±3		CHECKED BY DATE		---		APPROVED BY DATE		MOLEX MOLEX INCORPORATED	
REV A		DRAFT WHERE APPLICABLE MUST REMAIN WITHIN DIMENSIONS		K. TOJO 2004/03/12		---		M. SASAO 2004/03/12		DOCUMENT NO. SD-52271-037	
				MATERIAL NO.		---		SEE TABLE		SHEET NO. 3 OF 3	
				SIZE A3		---		THIS DRAWING CONTAINS INFORMATION THAT IS PROPRIETARY TO MOLEX INCORPORATED AND SHOULD NOT BE USED WITHOUT WRITTEN PERMISSION			