

Excellent Integrated System Limited

Stocking Distributor

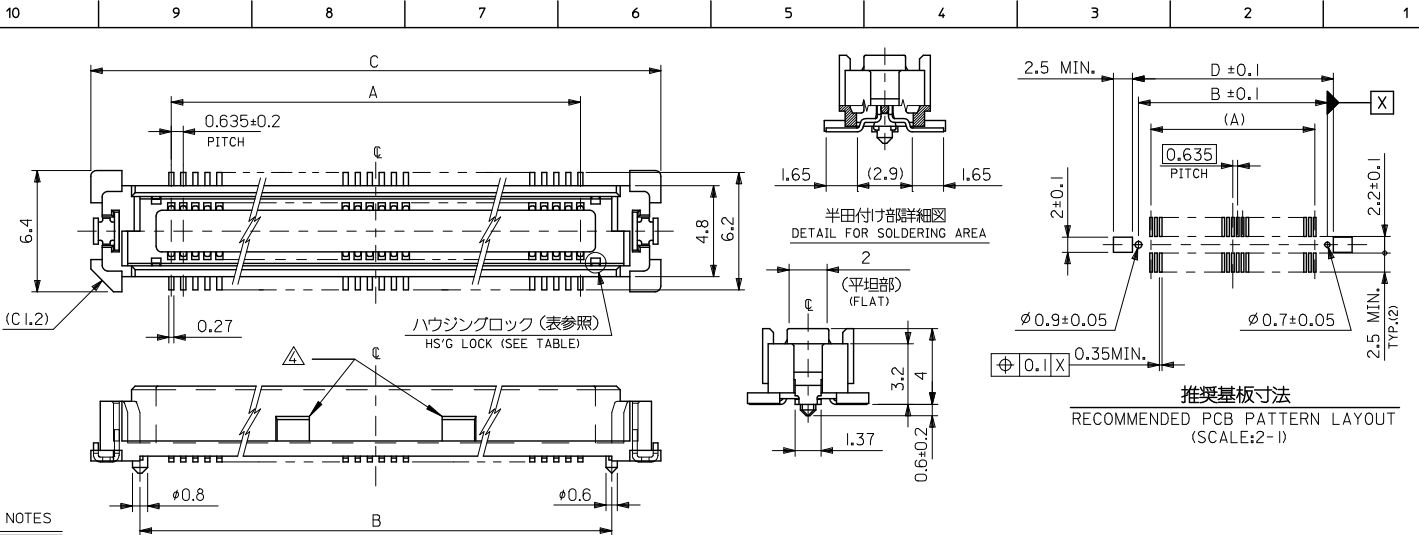
Click to view price, real time Inventory, Delivery & Lifecycle Information:

[Molex Connector Corporation](#)

[0527601879](#)

For any questions, you can email us directly:

sales@integrated-circuit.com



注記 NOTES

- 材質
MATERIAL
ハウジング: ガラス入り LCP、白色、UL94V-0
HOUSING: G.F.LCP, WHITE, UL94V-0
ターミナル: 銅合金 (t=0.2)
TERMINAL: COPPER ALLOY
ネイル: 銅合金 (t=0.25)
NAIL: COPPER ALLOY
- メッキ仕様
PLATING
ターミナル: 接点部: 金メッキ 0.25 μm MIN.
CONTACT AREA: GOLD 0.25 MICROMETER MIN.
半田付け部: 錫メッキ 2.0 μm MIN.
SOLDER TAIL AREA: TIN 2.0 MICROMETER MIN.
下地メッキ: ニッケルメッキ 2.0 μm MIN.
UNDER-PLATING: NICKEL 2.0 MICROMETER MIN.
補強金具: 錫メッキ 1.0 μm MIN.
FITTING NAIL: TIN 1.0 MICROMETER MINIMUM
下地メッキ: ニッケルメッキ 1.0 μm MIN.
UNDER-PLATING: NICKEL 1.0 MICROMETER MIN.

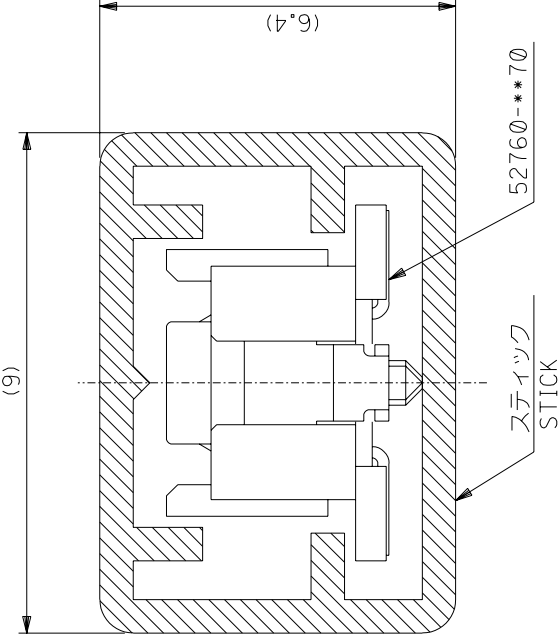
10 mm	53553 SERIES
9 mm	53552 SERIES
8 mm	53551 SERIES
7 mm	53481 SERIES
6 mm	53467 SERIES
5 mm	53475 SERIES
基板間寸法 STACKING HEIGHT	嵌合相手 TO BE MATED WITH

WITHOUT HSG LOCK	80.47	84.07	78.87	75.565	---	52760-2479	240
	67.77	71.37	66.17	62.865	---	52760-2079	200
	61.42	65.02	59.82	56.515	---	52760-1879	180
	55.07	58.67	53.47	50.165	---	52760-1679	160
	48.72	52.32	47.12	43.815	---	52760-1479	140
	42.37	45.97	40.77	37.465	---	52760-1279	120
WITH HSG LOCK	36.02	39.62	34.42	31.115	---	52760-1079	100
	32.85	36.45	31.25	27.94	---	52760-0979	90
	29.67	33.27	28.07	24.765	52760-0878	---	80
	23.32	26.92	21.72	18.415	52760-0678	52760-0679	60
	20.15	23.75	18.55	15.24	52760-0578	52760-0579	50
	13.80	17.40	12.20	8.89	52760-0378	52760-0379	30
10.62	14.22	9.02	5.715	---	52760-0279	20	
	D	C	B	A	EMBOSSED TAPE PACKAGE *** ORDER NO.	STICK PACKAGE *** ORDER NO.	極数 CIRCUITS

- 200極以下のテール平坦度は 0.1 MAX.、
TAIL COPLANARITY TO BE 0.1 MAX.
240極のテール平坦度は 0.12 MAX.とする。
IN 240 CIRCUITS, TAIL COPLANARITY TO BE 0.12 MAX.

△ 本製品は 2016 年 6 月 30日まで形状変更期間中となります。
THIS PRODUCT IS DURING A FORM CHANGE PERIOD TILL JUNE 30, 2016.
その為、図示形状が無い場合もございますが、製品機械性能上問題ございません。
THEREFORE, THERE MAY NOT BE THE ILLUSTRATED SHAPE.
HOWEVER, IT DOES NOT AFFECT ON CONNECTOR MECHANICAL PERFORMANCE.

REVISED EC NO. J2016-0873 DRAWN BY DR. WAKASAYAMA 2016/02/22 CHECKED BY CHIKURAKELUCHI 2016/02/25 APPROVED BY APPR. MORIKAWA 2016/02/29	GENERAL TOLERANCES (UNLESS SPECIFIED)		DIMENSION STYLE MM ONLY		SCALE ---	DESIGN UNITS METRIC	CONNECTOR SERIES No. : 52760-***70	THIRD ANGLE PROJECTION
	0.25 UNDER	UNDER	±0.03	DRAWN BY Y. WADA	DATE '04/02/26	TITLE 0.635 PITCH B-TO-B S/T REC. HSG ASSY -LEAD FREE-		
	0.25 OVER	0.5 UNDER	±0.05	CHECKED BY M. SASAO	DATE '04/02/26	DOCUMENT NO. SD-52760-013		
	0.5 OVER	1.0 UNDER	±0.1	APPROVED BY M. SASAO	DATE '04/02/26	SHEET NO. 1 OF 1		
	1.0 OVER	10 UNDER	±0.2	SEE CHART		THIS DRAWING CONTAINS INFORMATION THAT IS PROPRIETARY TO MOLEX ELECTRONIC TECHNOLOGIES, LLC AND SHOULD NOT BE USED WITHOUT WRITTEN PERMISSION		
10 OVER	30 UNDER	±0.25						
30 OVER		±0.3						
ANGULAR ±3°		DRAFT WHERE APPLICABLE MUST REMAIN WITHIN DIMENSIONS		SIZE A3				



注) NOTES.

- スティック両端はキャップ止め。
BOTH ENDS WITH CAPS.
- 全長: 6.00 ± 2
TOTAL LENGTH
- 肉厚: 0.6 ± 0.2
THICKNESS
- 量産対応済の極数については、SD-52760-013を参照下さい。
SEE SD-52760-013 FOR AVAILABLE ITEMS.
- 本製品は52760-**-**9の鉛フリー品である。
THIS PRODUCT IS LEAD FREE OF 52760-**-**9.

6	52760-2479	240
7	-2079	200
8	-1879	180
9	-1679	160
10	-1479	140
12	-1279	120
14	-1079	100
15	-0979	90
17	-0879	80
18	-0779	70
19	-6879	68
21	-0679	60
23	-0579	50
27	-0479	40
32	-0379	30
39	52760-0279	20

梱包数	QUANTITY	52760-0279
極数	MATERIAL NO.	極数
MOLEX-JAPAN CO.,LTD. MOLEX 日本モレックス株式会社		
REVISE ONLY ON CAD SYSTEM		
TITLE 名称		
52760-**-70		
STICK PACKAGING		
-LEAD FREE-		
DWG. NO.	REV	0
SD-52760-015		

DWG. NO. SD-52760-015

D

C

B : MM DIMENSIONS IN METRIC DO NOT SCALE DRAWING

角度	ANGLE	13°
以上	OVER	+0.3
以下	UNDER	+0.25
公差	TOLERANCE	+0.2
一般公差		

MODEL NO.	52760-**79
材料	MATERIAL
スティック: ポリ塩化ビニル	STICK: P.V.C
仕上げ	FINISH
適用電線範囲	WIRE RANGE
被覆外径	INS. RANGE
DRAWN BY 04/02/26	CHK'D BY 04/02/26
Y.W.	M.S.
APPR'D BY 04/02/26	R.UDO
日付	DATE
変更内容	REVISION RECORD
SCALE	SCALE