

Excellent Integrated System Limited

Stocking Distributor

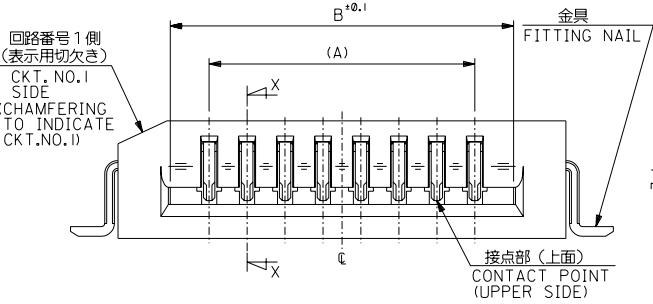
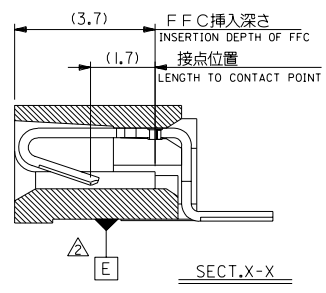
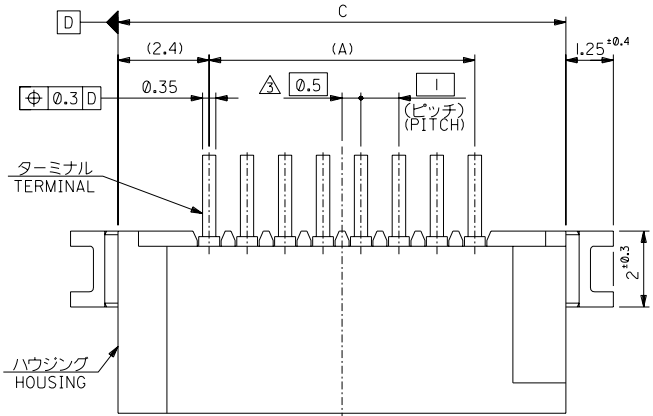
Click to view price, real time Inventory, Delivery & Lifecycle Information:

[Molex Connector Corporation](#)
[0527931670](#)

For any questions, you can email us directly:

sales@integrated-circuit.com

DWG. NO. SD-52793-011

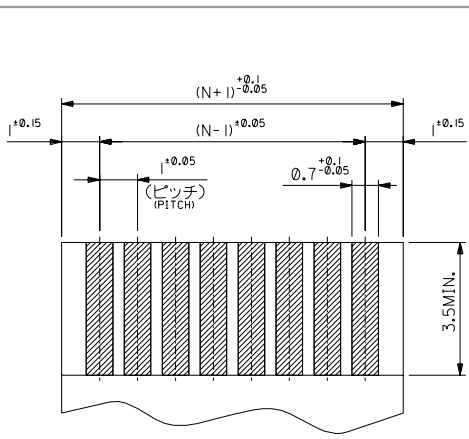


33.8	31.05	29	52793-3019	30
32.8	30.05	28	-2919	29
31.8	29.05	27	-2819	28
30.8	28.05	26	-2719	27
29.8	27.05	25	-2619	26
28.8	26.05	24	-2519	25
27.8	25.05	23	-2419	24
26.8	24.05	22	-2319	23
25.8	23.05	21	-2219	22
24.8	22.05	20	-2119	21
23.8	21.05	19	-2019	20
22.8	20.05	18	-1919	19
21.8	19.05	17	-1819	18
20.8	18.05	16	-1719	17
19.8	17.05	15	-1619	16
18.8	16.05	14	-1519	15
17.8	15.05	13	-1419	14
16.8	14.05	12	-1319	13
15.8	13.05	11	-1219	12
14.8	12.05	10	-1119	11
13.8	11.05	9	-1019	10
12.8	10.05	8	-0919	9
11.8	9.05	7	-0819	8
10.8	8.05	6	-0719	7
9.8	7.05	5	-0619	6
8.8	6.05	4	-0519	5
7.8	5.05	3	-0419	4
6.8	4.05	2	52793-0319	3
C	B	A	MATERIAL NO	極数 CIRCUIT

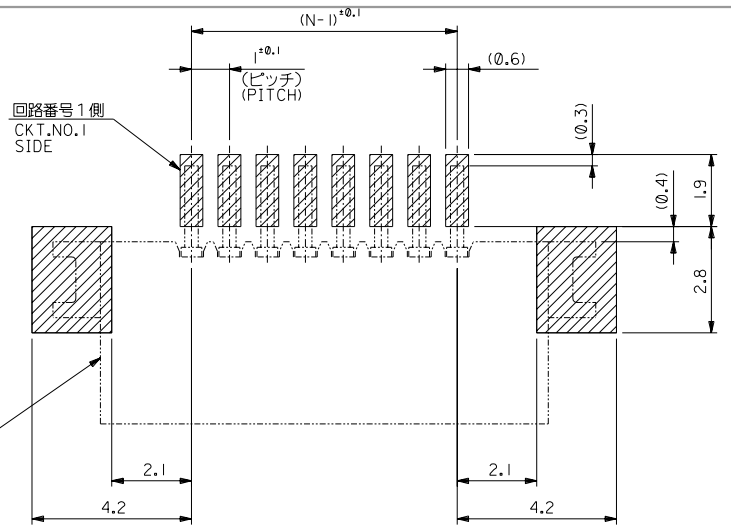
DO NOT SCALE DRAWING	EC NO. DRAWN: CHK'g: APPR:	EC NO. DRAWN: CHK'g: APPR:	EC NO. DRAWN: CHK'g: APPR:	EC NO. DRAWN: CHK'g: APPR:	RELEASED EC NO. J2004-1419 DRW'g: H.KAWABATA '03/12/09 CHK'g: K.TOJO '03/12/09 APPR: H. Saitoh '03/12/09	MATERIAL 材料 注記参照 SEE NOTES	FINISH 仕上げ //	WIRE RANGE 適用電線範囲 //	INS. RANGE 被覆外径 //	GENERAL TOLERANCES: (UNLESS SPECIFIED) 一般公差	SCALE 10:1	DESIGN UNITS <input checked="" type="checkbox"/> mm <input type="checkbox"/> INCH	THIRD ANGLE PROJECTION	DIMENSIONS: <input type="checkbox"/> mm <input type="checkbox"/> INCH <input checked="" type="checkbox"/> mm ONLY	SHT REV
										10 UNDER 未満 +0.2 10 OVER 以上 30 UNDER 未満 +0.25 30 OVER 以上 +0.3	DRAWN BY & DATE H.KAWABATA '03/12/09 CHECKED BY & DATE K.TOJO '03/12/09 APPROVED BY & DATE H. Saitoh '03/12/09 CAD FILENAME SD-52793-011S01	TITLE: L0 FFC CONN. NON ZIF SMT R/A (UPPER CONTACT) -LEAD FREE- MOLEX INCORPORATED	MATERIAL NO. 52793-**-19	DRAWING NO. SD-52793-011	SHEET NO. 1 OF 2

THIS DRAWING CONTAINS INFORMATION THAT IS PROPRIETARY TO MOLEX INCORPORATED AND SHOULD NOT BE USED WITHOUT WRITTEN PERMISSION.

DWG. NO. SD-52793-011



(仕上がり厚さ) 0.3±0.03
THICKNESS
適用FPC推奨寸法
APPLICABLE FPC
RECOMMENDED DIMENSION.



参考基板レイアウト (マウント面)
RECOMMENDED P.C. BOARD
PATTERN DIMENSION (REF.)
(MOUNTING AREA)

注記 NOTES:

1. 使用材料 MATERIAL
ハウジング: PPS, UL94V-0
ターミナル: リン青銅 (t=0.25)
メッキ: ニッケル下地純銅ピンスメッキ
金具: リン青銅 (t=0.25)
メッキ: ニッケル下地純銅メッキ
 - HOUSING : PPS, UL94V-0
TERMINAL : PHOSPHOR BRONZE
PLATING : Sn-BI OVER NI
FITTING NAIL : PHOSPHOR BRONZE
PLATING : Sn OVER NI
- △ 基準面 [E] からのソルダーテールとフィッティングネイルの半田付け面のズレ量は、
上方向に0.1MAX.、下方向0.15MAX.とする。
MISALIGNMENT OF SOLDER TAIL AND FITTING NAIL FROM [E]
: UPPER DIRECTION 0.1 MAX., LOWER DIRECTION 0.15 MAX.
- △ 偶数極に適用。
APPLY FOR EVEN CKT.

4. 本製品は 52793-**-10 の鉛フリー品である。
THIS PRODUCT IS LEAD FREE OF 52793-**-10

DO NOT SCALE DRAWING

EC NO. DRAWN: CHK'g: APPR:		EC NO. DRAWN: CHK'g: APPR:		EC NO. DRAWN: CHK'g: APPR:		EC NO. DRAWN: CHK'g: APPR:		SEE SHEET 1 OF 2	MATERIAL 材料 注記参照 SEE NOTES	GENERAL TOLERANCES: (UNLESS SPECIFIED) 一般公差	SCALE 10:1	DESIGN UNITS mm INCH	THIRD ANGLE PROJECTION	DIMENSIONS: mm INCH mm INCH mm ONLY	SHT REV	
								DESCRIPTION 仕上り	FINISH 仕上げ	10 UNDER 未満	+0.2	DRAWN BY & DATE H.KAWABATA '03/12/09	TITLE: I.O FFC CONN. NON ZIF SMT R/A (UPPER CONTACT) -LEAD FREE-	MATERIAL NO. DRAWING NO. SHEET NO. 2 OF 2	REVISE ON CAD ONLY	
								WIRE RANGE 適用電線範囲	10 OVER 以上 30 UNDER 未満	+0.25	CHECKED BY & DATE K.TOJO '03/12/09	MOLEX INCORPORATED				SIZE B
								INS. RANGE 被覆外径	30 OVER 以上	+0.3	APPROVED BY & DATE H. Saito '03/12/09					
								REV	ANGLE 角度	+3°	CAD FILENAME SD-52793-011S02					

8

7

6

5

4

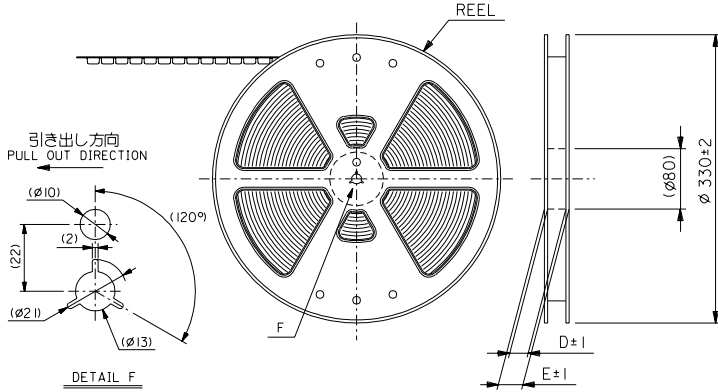
3

2

DWG. NO. SD-52793-012

NOTES

- 製品詳細寸法については図面 SD-52793-011 を参照下さい。
RE DETAILED DIMENSION, SEE SD-52793-011.
 - 梱包数量: 1000個/リール
NUMBER OF CONNECTORS : 1000PCS/REEL
 - リードテープ長さ LEAD TAPE LENGTH
20PCS. MIN. トップテープ接着部 (空インボス)
TOP TAPE BONDED PART. (EMPTY)
-
- トップテープの剥離強度: 0.1-1.3 N(10-130gf) (剥離方向は下図参照) 尚、本規格値は出荷時に適用。(但し、輸送時に剥離が発生しないこと。)
PEELING OFF FORCE OF TOP TAPE : 0.1-1.3 N(10-130gf) (PEELING DIRECTION AS SHOWN IN FOLLOWING FIG.) THIS REQUIREMENT SHOULD BE APPLIED AT SHIPMENT. PEEL OFF SHOULD NOT BE ALLOWED ,DURING TRANSPORTATION.
 - 材料 (MATERIAL)
キャリアテープ (CARRIER TAPE) : ポリプロピレン (POLYPROPYLENE)
トップテープ (TOP TAPE) : PET , PE , PEF
リール (REEL) : ポリスチレン (PS) <リサイクル材を含む> POLYSTYRENE (PS) <RECYCLE MATERIAL CONTAINED>
 - 本製品は 52793-***90 の鉛フリー品である。
THIS PRODUCT IS LEAD FREE OF 52793-***90



DO NOT SCALE DRAWING

EC NO. DRWN: CHK: APPR:	EC NO. DRWN: CHK: APPR:	EC NO. DRWN: CHK: APPR:	REVISED EC NO. J2004-2778 DRWN: SHIMABUKURO CHK: TOJO APPR: MASAO	RELEASED EC NO. J2004-1419 DRWN: MANAGATA CHK: K.TOJO APPR: MASAO	DESCRIPTION	MATERIAL 材料 注記参照 SEE NOTES	FINISH 仕上げ	WIRE RANGE 適用電線範囲	INS. RANGE 挿入外径
			A	○		//	//	//	

52793-***70		MODEL NO.	
DIMENSIONS: mm INCH		SHT REV REVISE ON CAD ONLY	
THIRD ANGLE PROJECTION		mm ONLY	
GENERAL TOLERANCES: (UNLESS SPECIFIED) 10 UNDER 未満 10 OVER 以上 30 UNDER 未満 30 OVER 以上		SCALE --- DESIGN UNITS mm INCH	
DRAWN BY & DATE M.NAGATA '03/12/09		CHECKED BY & DATE K.TOJO '03/12/09	
APPROVED BY & DATE M.SASAO '03/12/09		TITLE: I,O FFC Conn Assy NON ZIF SMT RA Upper Contact Embstp Pkg -LEAD FREE-	
CAD FILENAME SD-52793-012.S01		MATERIAL NO. SEE CHART	
DRAWING NO. SD-52793-012		SHEET NO. 1 OF 5	
THIS DRAWING CONTAINS INFORMATION THAT IS PROPRIETARY TO MOLEX INCORPORATED AND SHOULD NOT BE USED WITHOUT WRITTEN PERMISSION.			
EN-02J(097) MXJ-54			

SIZE B

DWG. NO. SD-52793-012

F

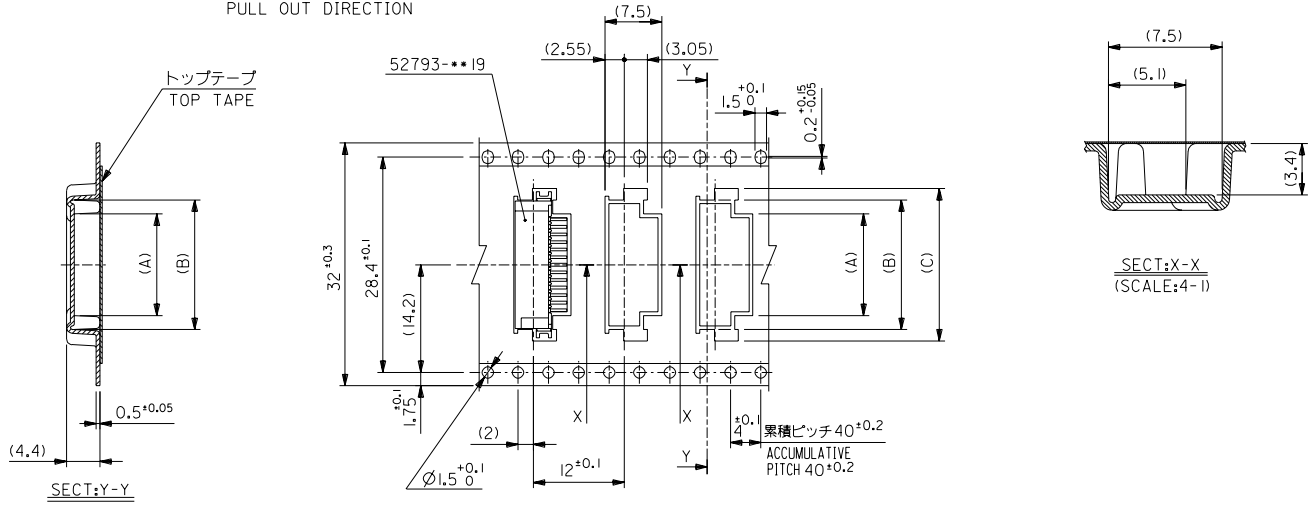
D

C

B

DO NOT SCALE DRAWING

引き出し方向
PULL OUT DIRECTION



32mm幅キャリアテープ
32mm WIDTH CARRIER TAPE

32	37.4	33.4	23.1	20.1	16.4	52793-1670	16
			22.1	19.1	15.4	52793-1570	15
			21.1	18.1	14.4	52793-1470	14
			20.1	17.1	13.4	52793-1370	13
			19.1	16.1	12.4	52793-1270	12
キャリアテープ幅 CARRIER TAPE WIDTH		E	D	(C)	(B)	(A)	MATERIAL NO.

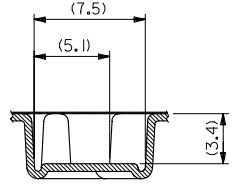
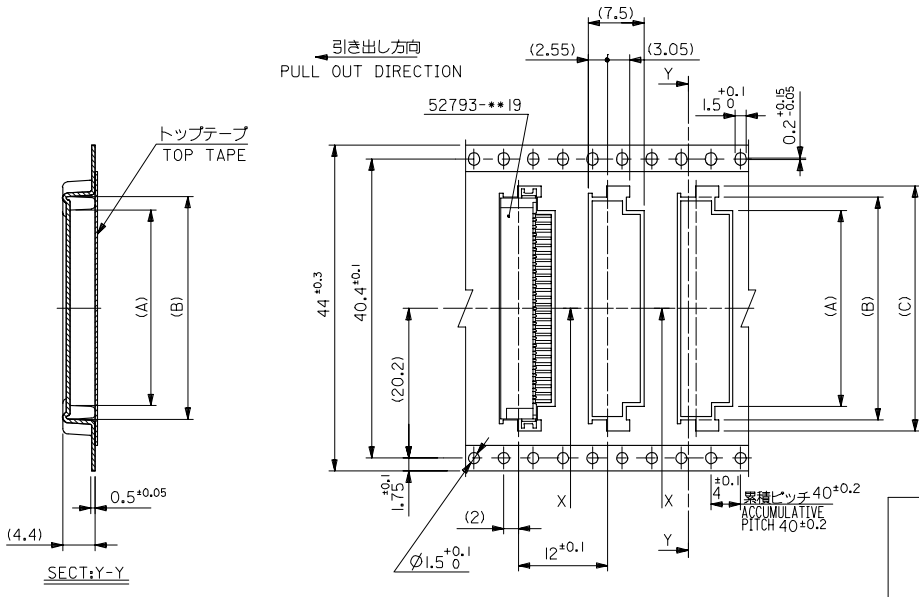
EC NO. DRAWN: CHK: APPR:			EC NO. DRAWN: CHK: APPR:			EC NO. DRAWN: CHK: APPR:			REVISED EC NO. J2004-2778 DRAWN: HSHIMABUKURO WJZ CHK: K.TOJO WJZ APPR: M.SASAO WJZ			RELEASED EC NO. J2004-1419 DRAWN: MANAGATA WJZ CHK: K.TOJO WJZ APPR: M.SASAO WJZ			MATERIAL 材料 SHEET 1 OF 5 参照 REFER TO SHEET 1 OF 5			GENERAL TOLERANCES: (UNLESS SPECIFIED)			SCALE --- mm INCH			DESIGN UNITS <input checked="" type="checkbox"/> mm <input type="checkbox"/> INCH			MODEL NO.			DIMENSIONS: <input type="checkbox"/> mm <input type="checkbox"/> INCH <input checked="" type="checkbox"/> mm ONLY			SHT REV											
FINISH 仕上げ			WIRE RANGE 適用電線範囲			INS. RANGE 挿入外径			10 UNDER 未満			10 OVER 以上			30 UNDER 未満			30 OVER 以上			DRAWN BY & DATE M.NAGATA '03/12/09			CHECKED BY & DATE K.TOJO '03/12/09			APPROVED BY & DATE M.SASAO '03/12/09			CAD FILENAME SD-52793-012.S03			TITLE: 1.0 FFC Conn Assy NON ZIF SMT RA Upper Contact Embstp Pkg -LEAD FREE-			MATERIAL NO.			DRAWING NO.			SHEET NO.		
//			//			//			+0.2			+0.25			+0.3			+3°			THIRD ANGLE PROJECTION			mm INCH			mm ONLY			REVISE ON CAD ONLY														
//			//			//															MOLEX INCORPORATED			SEE CHART			SD-52793-012			3 OF 5														
8			7			6			5			4			3			2			EN-02J(097) MXJ-54																							

SD-52793-012-03

10 9 8 7 6 5 4 3 2 1

F
E
D
C
B
A

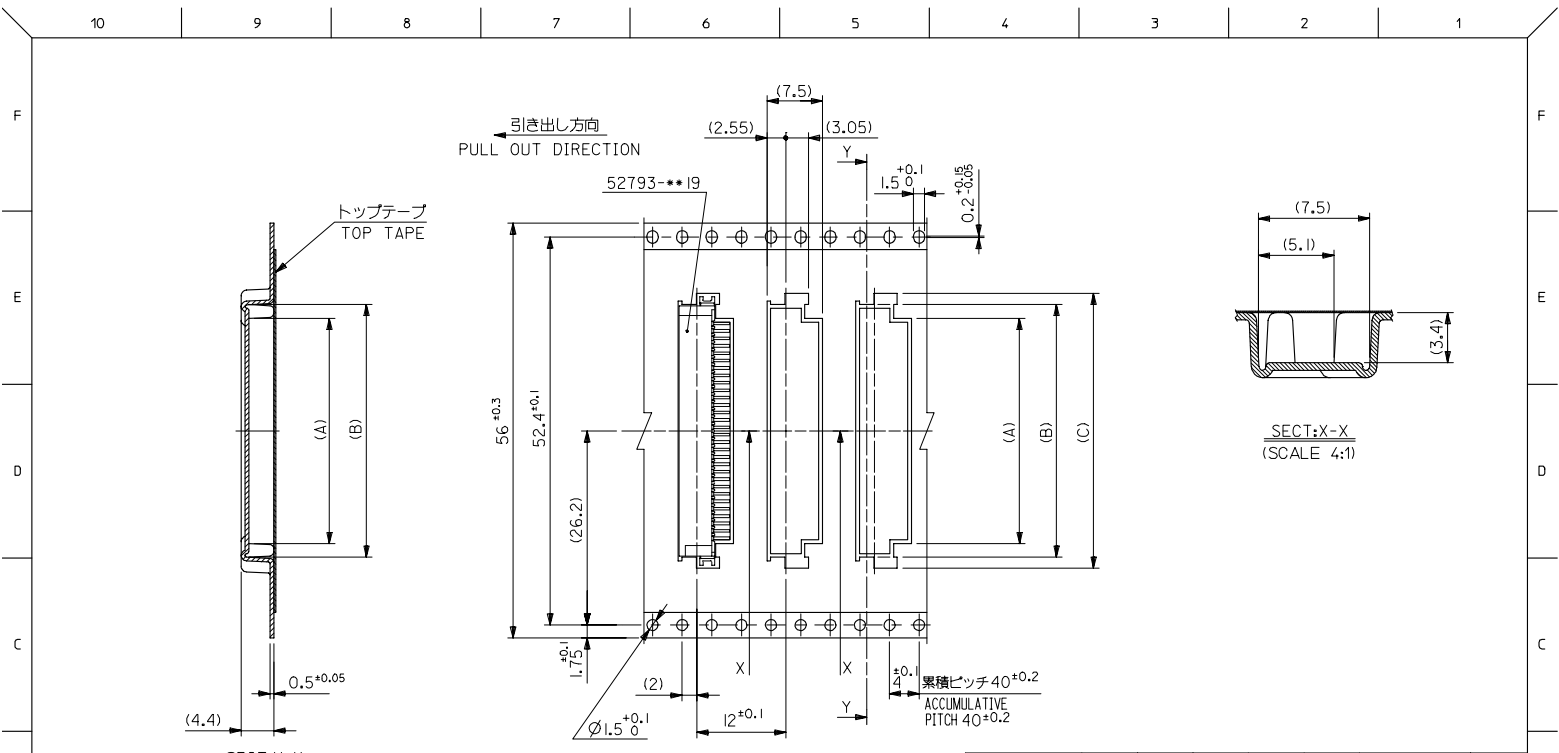
F
E
D
C
B
A



4.4mm幅キャリアテープ
44mm WIDTH CARRIER TAPE

44	49.4	45.4	34.1	31.1	27.4	52793-2770	27
			33.1	30.1	26.4	52793-2670	26
			32.1	29.1	25.4	52793-2570	25
			31.1	28.1	24.4	52793-2470	24
			30.1	27.1	23.4	52793-2370	23
			29.1	26.1	22.4	52793-2270	22
			28.1	25.1	21.4	52793-2170	21
			27.1	24.1	20.4	52793-2070	20
			26.1	23.1	19.4	52793-1970	19
			25.1	22.1	18.4	52793-1870	18
24.1	21.1	17.4	52793-1770	17			
キャリアテープ幅 CARRIER TAPE WIDTH	E	D	(C)	(A)	MATERIAL NO.	52793-**-70	MODEL NO.

REVISED EC NO: J2006-0384 DRAWN: N. NAITA CHK: K. TOYODA APPR: N. NAITA 2005/08/08 2005/08/09 2005/08/22	GENERAL TOLERANCES (UNLESS SPECIFIED)		DIMENSION STYLE	SCALE	DESIGN UNITS	THIRD ANGLE
	10 UNDER	±0.2	MM ONLY	---	METRIC	PROJECTION
	10 OVER 30 UNDER	±0.25				
	30 OVER	±0.3				
	ANGULAR	±3 °				
DRAFT WHERE APPLICABLE MUST REMAIN WITHIN DIMENSIONS						
			DRAWN BY M. NAGATA	DATE '03/12/09	TITLE 1.0 FFC CONN. NON ZIF SMT RA EMBSTP PKG -LEAD FREE-	
			CHECKED BY K. TOJO	DATE '03/12/09	MOLEX INCORPORATED	
			APPROVED BY M. SASAO	DATE '03/12/09	DOCUMENT NO. SD-52793-012	
			MATERIAL NO.	SEE CHART	SHEET NO. 4 OF 5	
SIZE A3 THIS DRAWING CONTAINS INFORMATION THAT IS PROPRIETARY TO MOLEX INCORPORATED AND SHOULD NOT BE USED WITHOUT WRITTEN PERMISSION						



56mm幅キャリアテープ
56mm WIDTH CARRIER TAPE

56	61.4	57.4	37.1	34.1	30.4	52793-3070	30
			36.1	33.1	29.4	52793-2970	29
			35.1	32.1	28.4	52793-2870	28
キャリアテープ幅 CARRIER TAPE WIDTH	E	D	(C)	(B)	(A)	MATERIAL NO.	種数 CIRCUIT
						52793-***70	MODEL NO.

REVISIONS EC NO. JZ006-0384 DRAWN BY CHIKAKIYODA CHECKED BY APPERUKITA DATE 2005/08/08 DATE 2005/08/09 DATE 2005/08/22	GENERAL TOLERANCES (UNLESS SPECIFIED)		DIMENSION STYLE MM ONLY	SCALE ---	DESIGN UNITS METRIC	THIRD ANGLE PROJECTION
	10 UNDER	± 0.2	DRAWN BY M. NAGATA	DATE '03/12/09	TITLE 1.0 FFC CONN. NON ZIF SMT RA EMBSTP PKG -LEAD FREE-	
	10 OVER 30 UNDER	± 0.25	CHECKED BY K. TOJO	DATE '03/12/09	MOLEX INCORPORATED	
	30 OVER	± 0.3	APPROVED BY M. SASAO	DATE '03/12/09	MATERIAL NO. SEE CHART	DOCUMENT NO. SD-52793-012
	ANGULAR	± 3 °	DRAFT WHERE APPLICABLE MUST REMAIN WITHIN DIMENSIONS			