

Excellent Integrated System Limited

Stocking Distributor

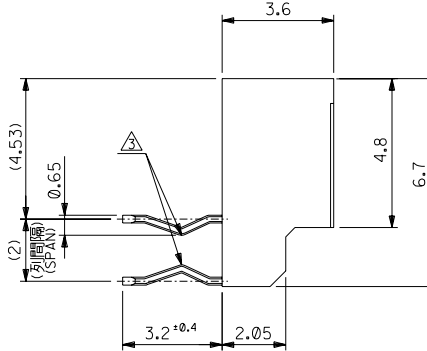
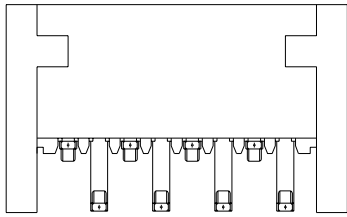
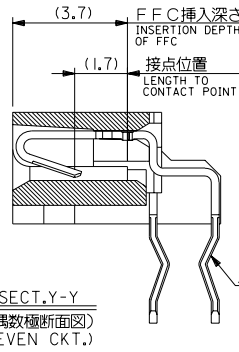
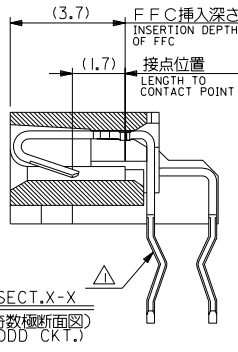
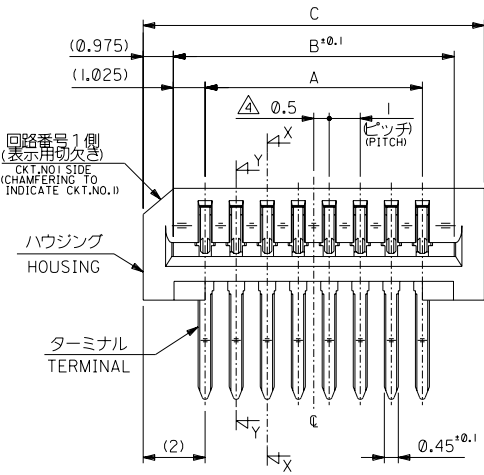
Click to view price, real time Inventory, Delivery & Lifecycle Information:

[Molex Connector Corporation](#)
[0528071310](#)

For any questions, you can email us directly:

sales@integrated-circuit.com

DWG. NO. SD-52807-***10
 E
 D
 C
 B
 A



| | | | | |
|----|-------|----|------------|---------------|
| 33 | 31.05 | 29 | 52807-3010 | 30 |
| 32 | 30.05 | 28 | -2910 | 29 |
| 31 | 29.05 | 27 | -2810 | 28 |
| 30 | 28.05 | 26 | -2710 | 27 |
| 29 | 27.05 | 25 | -2610 | 26 |
| 28 | 26.05 | 24 | -2510 | 25 |
| 27 | 25.05 | 23 | -2410 | 24 |
| 26 | 24.05 | 22 | -2310 | 23 |
| 25 | 23.05 | 21 | -2210 | 22 |
| 24 | 22.05 | 20 | -2110 | 21 |
| 23 | 21.05 | 19 | -2010 | 20 |
| 22 | 20.05 | 18 | -1910 | 19 |
| 21 | 19.05 | 17 | -1810 | 18 |
| 20 | 18.05 | 16 | -1710 | 17 |
| 19 | 17.05 | 15 | -1610 | 16 |
| 18 | 16.05 | 14 | -1510 | 15 |
| 17 | 15.05 | 13 | -1410 | 14 |
| 16 | 14.05 | 12 | -1310 | 13 |
| 15 | 13.05 | 11 | -1210 | 12 |
| 14 | 12.05 | 10 | -1110 | 11 |
| 13 | 11.05 | 9 | -1010 | 10 |
| 12 | 10.05 | 8 | -0910 | 9 |
| 11 | 9.05 | 7 | -0810 | 8 |
| 10 | 8.05 | 6 | -0710 | 7 |
| 9 | 7.05 | 5 | -0610 | 6 |
| 8 | 6.05 | 4 | -0510 | 5 |
| 7 | 5.05 | 3 | -0410 | 4 |
| 6 | 4.05 | 2 | 52807-0310 | 3 |
| C | B | A | ENG. NO | 極数 CIRCUIT |

注記 NOTES

- △ 回路番号1を基準に奇数番目の極におけるソルダーテール。
ODD NUMBER SOLDER TAIL FROM THE CKT.NO.1.
- △ 回路番号1を基準に偶数番目の極におけるソルダーテール。
EVEN NUMBER SOLDER TAIL FROM THE CKT.NO.1.
- △ キングはソルダーテール全極にもうける。
SOLDER TAIL KINK SHALL BE PROVIDED ON ALL TAILS.
- △ 偶数極に適用。
APPLY FOR EVEN CKT.

無鉛
LEAD FREE

| | | | | | |
|-------------------------|-------|---------|----------------------|-------------------|--|
| 角度 ANGLE | ±3° | | | | |
| 30以上 OVER | +0.5 | B | REVISED J2003-0414 | 92/08/05 | |
| 10以上 30未満 UNDER | +0.25 | A | REVISED (J40760) | 94/ 9/19 | |
| 10未満 UNDER | +0.2 | 0 | PROPOSED (J40434) | 94/ 6/ 3 | |
| 一般公差 GENERAL TOLERANCES | | 記号 I/TR | 変更内容 REVISION RECORD | Dr. / Chk. / DATE | |

材料 ハウジング: PPS
MATERIAL HOUSING UL94V-0
ターミナル: りん青銅, 鍍メッキ t=0.25
TERMINAL: PHOS-BRO. TIN-PLATED

仕上げ FINISH //

適用電線範囲 WIRE RANGE //

被覆外径 INS. RANGE //

DRAWN BY 94/ 6/ 3 S. AIHARA
CHK'D BY 94/ 9/19 S. KUNISHI

APP'D BY 94/ 9/19 M. FUKUSHIMA

尺度 SCALE //

MOLEX-JAPAN CO., LTD.
日本モレックス株式会社

REVISE ONLY ON CAD SYSTEM

TITLE 名称
1.0 FFC CONN.
NON Z.I.F. DIP R/A

DWG. NO. (SHEET 1 OF 2) REV B
SD-52807-***10

THIS DRAWING CONTAINS INFORMATION THAT IS PROPRIETARY TO MOLEX/JAPAN AND SHOULD NOT BE USED WITHOUT WRITTEN PERMISSION
本図面は日本モレックス(株)の所有する情報を含むもので当社の許可なく複製を禁じます。
EN-01C(032)MXJ-32

8 7 6 5 4 3 2

DWG. NO. SD-52807-***10

E

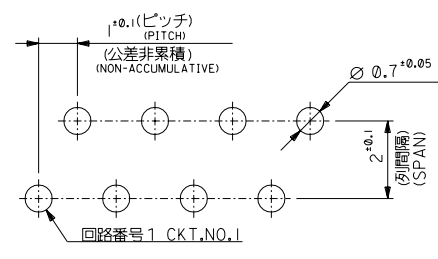
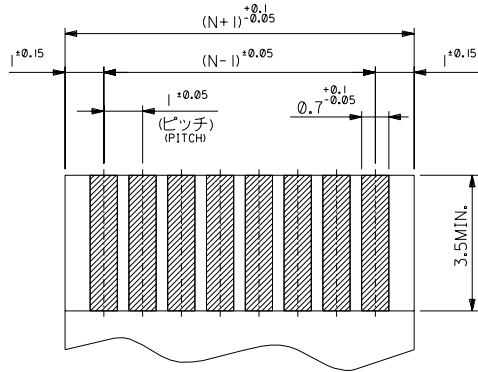
D

C

B

A

DIMENSIONS IN METRIC DO NOT SCALE DRAWING



(仕上がり厚さ) 0.3 ± 0.03
THICKNESS
適合 FPC 推奨寸法
APPLICABLE FPC
RECOMMENDED DIMENSION.

基板取付穴推奨寸法
RECOMMENDED P.C. BOARD
HOLE DIMENSION
(マウント面, t=1.6)
(MOUNTING SIDE, t=1.6)

無鉛
LEAD FREE

| | | | | | |
|-------------------------|-------|---|----------------------|----------------------|----------|
| 角度 ANGLE | ±3° | | | | |
| 30°以上 OVER | +0.5 | B | REVISED (J2003-0414) | 94/9/19 | 92/08/05 |
| 10°以上 30°未満 UNDER | +0.25 | A | REVISED (J40760) | 94/9/19 | 94/9/19 |
| 10°未満 UNDER | +0.2 | 0 | PROPOSED (J40434) | 94/6/3 | 94/6/3 |
| 一般公差 GENERAL TOLERANCES | | | 記号 LTR | 変更内容 REVISION RECORD | DR. DATE |

| | |
|--------------------------|----------------------------|
| 材料 MATERIAL | —//— |
| 仕上げ FINISH | —//— |
| 適用電線範囲 WIRE RANGE | —//— |
| 被覆外径 INS. RANGE | —//— |
| DRAWN BY 94/6/3 S.AIHARA | CHK'D BY 94/9/19 S.KUNISHI |
| 尺度 SCALE 10-1 | |

| |
|---|
| molex MOLEX-JAPAN CO.,LTD. 日本モレックス株式会社 |
| REVISE ONLY ON CAD SYSTEM |
| TITLE 名称 1.0 FFC CONN. NON Z.I.F. DIP R/A |
| DWG. NO. (SHEET 2 OF 2) REV SD-52807-***10 B |

THIS DRAWING CONTAINS INFORMATION THAT IS PROPRIETARY TO MOLEX(JAPAN) AND SHOULD NOT BE USED WITHOUT WRITTEN PERMISSION
本図面は日本モレックス(株)の所有する情報を含むもので、当社の許可なく複製を禁止する。
EN-01C(032)MXJ-32

8

7

6

5

4

3

2

1

4528071310