

Excellent Integrated System Limited

Stocking Distributor

Click to view price, real time Inventory, Delivery & Lifecycle Information:

[Molex Connector Corporation](#)
[0528082171](#)

For any questions, you can email us directly:

sales@integrated-circuit.com

10 9 8 7 6 5 4 3 2 1

F

E

D

C

B

A

F

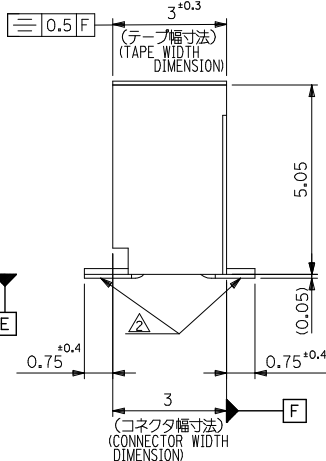
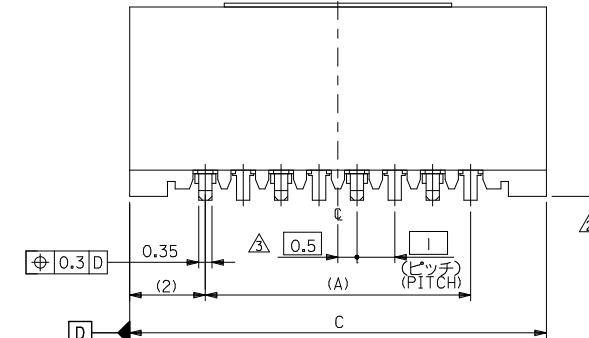
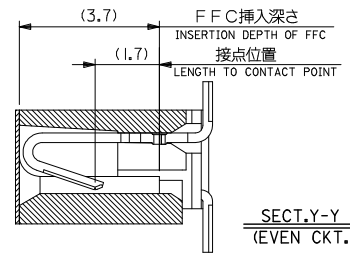
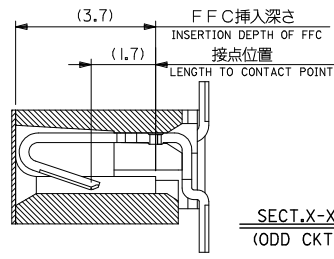
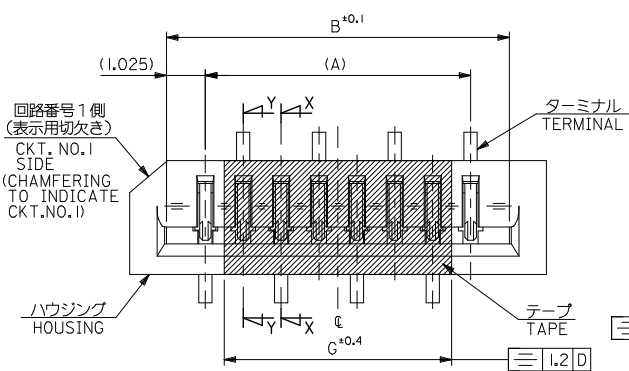
E

D

C

B

A



6	33	31.05	29	52808-3029	30
	32	30.05	28	-2929	29
	31	29.05	27	-2829	28
	30	28.05	26	-2729	27
	29	27.05	25	-2629	26
	28	26.05	24	-2529	25
	27	25.05	23	-2429	24
	26	24.05	22	-2329	23
	25	23.05	21	-2229	22
	24	22.05	20	-2129	21
	23	21.05	19	-2029	20
	22	20.05	18	-1929	19
	21	19.05	17	-1829	18
	20	18.05	16	-1729	17
	19	17.05	15	-1629	16
	18	16.05	14	-1529	15
	17	15.05	13	-1429	14
	16	14.05	12	-1329	13
	15	13.05	11	-1229	12
	14	12.05	10	-1129	11
	13	11.05	9	-1029	10
12	10.05	8	-0929	9	
11	9.05	7	-0829	8	
10	8.05	6	-0729	7	
9	7.05	5	-0629	6	
8	6.05	4	-0529	5	
7	5.05	3	52808-0429	4	
G	C	B	A	MATERIAL NO.	極致 CIRCUIT

注記
NOTES:

1. 使用材料 MATERIAL
 ハウジング: PPS,UL94V-0 HOUSING :PPS,UL94V-0
 ターミナル: リン青銅 TERMINAL :PHOSPHOR BRONZE
 メッキ: ニッケル下地 鍍ビスマスメッキ PLATING :TIN-BISMUTH OVER NICKEL PLATING
 テープ: ポリイミド (t=50um) TAPE :PI (t=50um)

△ 基準面 [E] からのソルダテールの半田付け面のズレ量は、
 上方向に0.1MAX.、下方向0.15MAX.とする。
 MISALIGNMENT OF SOLDER TAIL FROM [E]
 : UPPER DIRECTION 0.1 MAX. , LOWER DIRECTION 0.15 MAX.

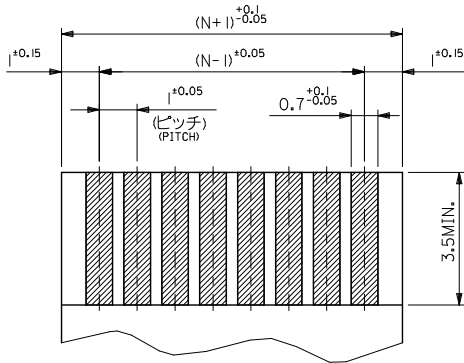
△ 偶数側に適用。
 APPLY FOR EVEN CKT.

4. 本製品は 52808-***20 の鉛フリー品である。
 THIS PRODUCT IS LEAD FREE OF 52808-***20.
 FPCについて:
 打抜き方向は導体側から補強板を推奨致します。
 補強フィルム材質はポリイミドを推奨致します。
 接着剤は熱硬化接着剤を推奨致します。
 ABOUT FPC:
 RECOMMENDED PUNCHER DIRECTION : FROM CONDUCTOR SIDE TO STIFFENER BOARD SIDE.
 RECOMMENDED MATERIAL :
 STIFFENER FILM : POLYIMIDE
 BONDING AGENT : THERMOSETTING BONDING AGENT

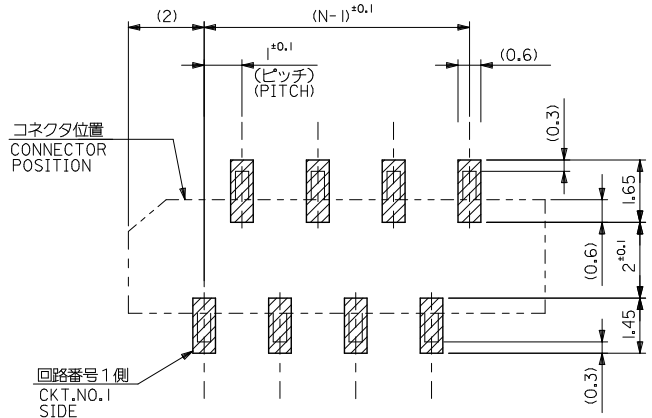
REVISED DEC NO. J2015-0830 DRAWN: SANIMA CHIKO TAKAHASHI APPR: YUIGAWA	2014/12/19	2015/02/06	2015/02/23	DESCRIPTION
	GENERAL TOLERANCES (UNLESS SPECIFIED)			
	0.25 UNDER	UNDER	±0.03	DRAWN BY DATE
	0.25 OVER	0.5 UNDER	±0.05	MINOMIYA 2004/02/09
	0.5 OVER	1.0 UNDER	±0.1	CHECKED BY DATE
1.0 OVER	10 UNDER	±0.2	KTOJO 2004/02/09	
10 OVER	30 UNDER	±0.25	APPROVED BY DATE	
30 OVER		±0.3	MSASAO 2004/02/09	
ANGULAR ±3°				
DRAFT WHERE APPLICABLE MUST REMAIN WITHIN DIMENSIONS				
DIMENSION STYLE MM ONLY		SCALE 10:1	DESIGN UNITS METRIC	THIRD ANGLE PROJECTION
SEE CHART		DOCUMENT NO. SD-52808-025		SHEET NO. 1 OF 2
THIS DRAWING CONTAINS INFORMATION THAT IS PROPRIETARY TO MOLEX INCORPORATED AND SHOULD NOT BE USED WITHOUT WRITTEN PERMISSION				

9 8 7 6 5 4 3 2 1

10 9 8 7 6 5 4 3 2 1



(仕上がり厚さ) 0.3^{+0.03}
THICKNESS
適合FPC/FPC推奨寸法
APPLICABLE FPC/FPC
RECOMMENDED DIMENSION.



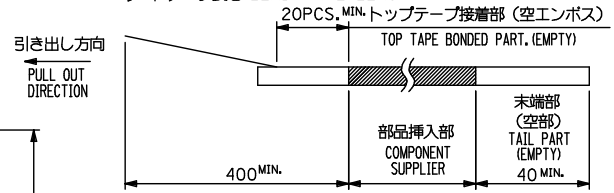
参考基板レイアウト (マウント面)
RECOMMENDED P.C.BOARD
PATTERN DIMENSION. (REF.)
(MOUNTING AREA)

SEE SHEET 1 OF 2 EC NO. J2015-0830 DRAWN BY DRW:MSANIMA 2014/12/19 CHECKED BY CHIKIDAKAHASHI 2015/02/06 APPR:YNOGAWA 2015/02/23	GENERAL TOLERANCES (UNLESS SPECIFIED)			DIMENSION STYLE		SCALE	DESIGN UNITS	THIRD ANGLE PROJECTION
				MM ONLY		10:1	METRIC	
	0.25 UNDER	UNDER	±0.03	DRAWN BY	DATE	TITLE		
	0.25 OVER	0.5 UNDER	±0.05	MINOMIYA	2004/02/09	1.0 FFC CONN. NON ZIF		
	0.5 OVER	1.0 UNDER	±0.1	CHECKED BY	DATE	SMT ST (WITH TAPE)		
	1.0 OVER	10 UNDER	±0.2	KTOJO	2004/02/09	-LEAD FREE-		
10 OVER	30 UNDER	±0.25	APPROVED BY	DATE				
30 OVER		±0.3	MSASAO	2004/02/09				
ANGULAR	±3 °		MATERIAL NO.	SEE SHEET 1 OF 2	DOCUMENT NO.	SD-52808-025		
DRAFT WHERE APPLICABLE MUST REMAIN WITHIN DIMENSIONS			SIZE	THIS DRAWING CONTAINS INFORMATION THAT IS PROPRIETARY TO MOLEX INCORPORATED AND SHOULD NOT BE USED WITHOUT WRITTEN PERMISSION				
			A3	SHEET NO. 2 OF 2				

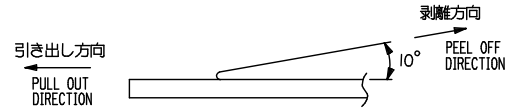
9 8 7 6 5 4 3 2 1

NOTES

- 製品詳細寸法については図面 SD-52808-025 を参照下さい。
RE DETAILED DIMENSION, SEE SD-52808-025.
- 梱包数量: 1000個/リール
NUMBER OF CONNECTORS : 1000PCS/REEL
- リードテープ長さ LEAD TAPE LENGTH



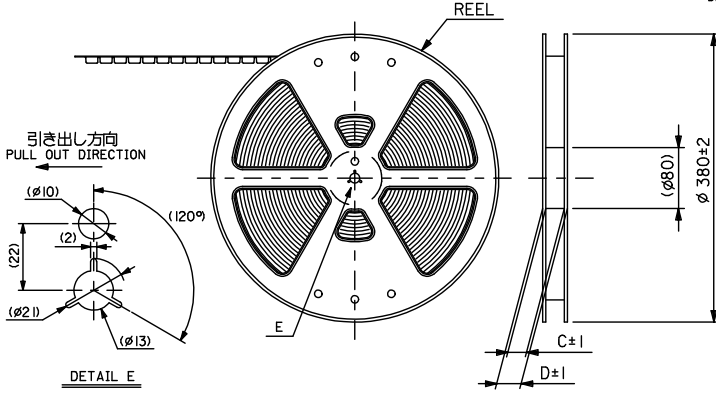
- トップテープの剥離強度: 0.1N ~ 1.3N(10gf ~ 130gf)
(剥離方向は下図参照)
尚、本規格値は出荷時に適用。(但し、輸送時に剥離が発生しないこと。)
PEELING OFF FORCE OF TOP TAPE : 0.1N ~ 1.3N(10gf ~ 130gf)
(PEELING DIRECTION AS SHOWN IN FOLLOWING FIG.)
THIS REQUIREMENT SHOULD BE APPLIED AT SHIPMENT.
PEEL OFF SHOULD NOT BE ALLOWED, DURING TRANSPORTATION.



- 材料 (MATERIAL)
キャリアテープ (CARRIER TAPE): ポリプロピレン (POLYPROPYLENE)
トップテープ (TOP TAPE): PET, PE, PEF
リール (REEL): ポリスチレン (PS) <リサイクル材を含む>
POLYSTYRENE (PS) <RECYCLE MATERIAL CONTAINED>

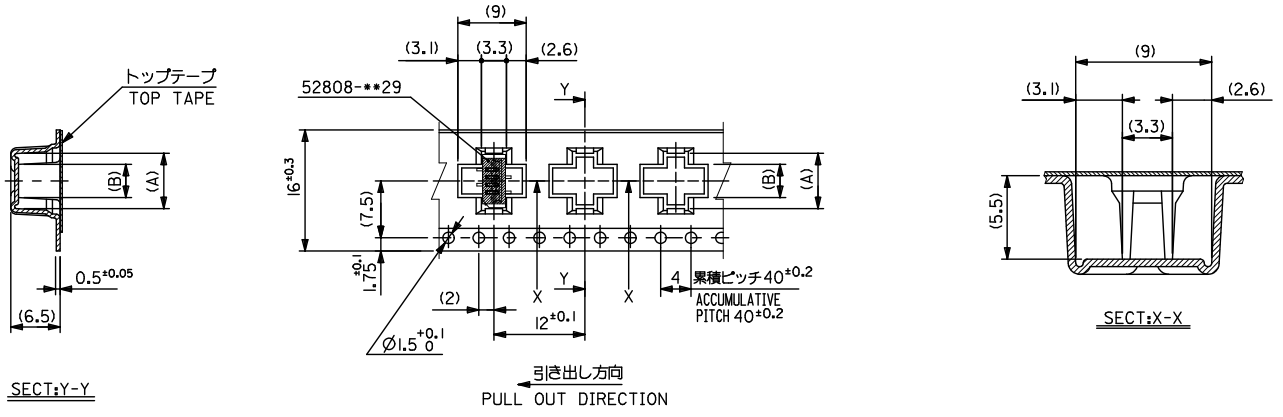
- MXI 製造製品は紙リールを使用すること。
ONLY MXI PRODUCT ITEM SHOULD USE CARD BOARD REEL.

- 本製品は 52808-***9I の鉛フリー品である。
THIS PRODUCT IS LEAD FREE OF 52808-***9I.



REVISED EC NO. J2015-0830 DRAWN BY DRW:MSANIMA 2014/12/18 CHIKIDAKAKASHI 2015/02/06 APPR:YNOGAWA 2015/02/23 REV DESCRIPTION	GENERAL TOLERANCES (UNLESS SPECIFIED)		MODEL NO. 52808-***71	
	0.25 UNDER UNDER ±0.03	0.25 OVER 0.5 UNDER ±0.05	DIMENSION STYLE MM ONLY	SCALE ---
	0.5 OVER 1.0 UNDER ±0.1	1.0 OVER 10 UNDER ±---	DRAWN BY DATE MNINOMIYA 2004/02/09	DESIGN UNITS METRIC
	10 OVER 30 UNDER ±---	30 OVER ±---	CHECKED BY DATE KTOJO 2004/02/09	THIRD ANGLE PROJECTION
ANGULAR ±--- °	DRAFT WHERE APPLICABLE MUST REMAIN WITHIN DIMENSIONS		TITLE 1.0 FFC CONN NON ZIF SMT ST WITH TAPE EMBSTP PKG -LEAD FREE- molex SEE CHART DOCUMENT NO. SD-52808-026 SHEET NO. 1 OF 6	
THIS DRAWING CONTAINS INFORMATION THAT IS PROPRIETARY TO MOLEX INCORPORATED AND SHOULD NOT BE USED WITHOUT WRITTEN PERMISSION				

10 9 8 7 6 5 4 3 2 1



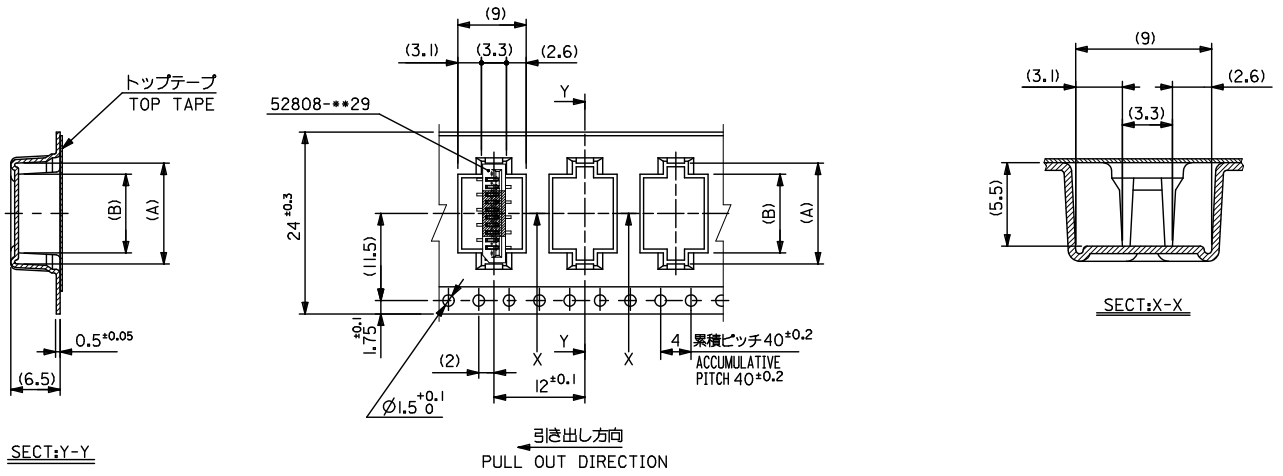
16mm幅キャリアテープ
16mm WIDTH CARRIER TAPE

16	21.4	17.4	5.4	8.3	52808-0571	5
キャリアテープ幅 CARRIER TAPE WIDTH	D	C	4.4	7.3	52808-0471	4
MODEL NO.					52808-***71	
DIMENSION STYLE MM ONLY			SCALE ---	DESIGN UNITS METRIC		

SEE SHEET 1 OF 6 IEC NO. J2015-0830 DRAWN BY DR. WAKASANIWA 2014/12/18 CHECKED BY CHIKIDAKAKASHI 2015/02/06 APPR. Y. NOGAWA 2015/02/23	GENERAL TOLERANCES (UNLESS SPECIFIED)			DRAWN BY DATE		TITLE 1.0 FFC CONN NON ZIF SMT ST WITH TAPE EMBSTP PKG -LEAD FREE- molex DOCUMENT NO. SD-52808-026 SHEET NO. 2 OF 6
	0.25 UNDER UNDER ±0.03	MNINOMIYA 2004/02/09				
	0.25 OVER 0.5 UNDER ±0.05	CHECKED BY DATE				
	0.5 OVER 1.0 UNDER ±0.1	KTOJO 2004/02/09				
	1.0 OVER 10 UNDER ±---	APPROVED BY DATE				
10 OVER 30 UNDER ±---	MATERIAL NO.		SEE CHART			
30 OVER ±---	DRAFT WHERE APPLICABLE MUST REMAIN WITHIN DIMENSIONS		THIS DRAWING CONTAINS INFORMATION THAT IS PROPRIETARY TO MOLEX INCORPORATED AND SHOULD NOT BE USED WITHOUT WRITTEN PERMISSION			
ANGULAR ±--- °	THIRD ANGLE PROJECTION					

9 8 7 6 5 4 3 2 1

10 9 8 7 6 5 4 3 2 1



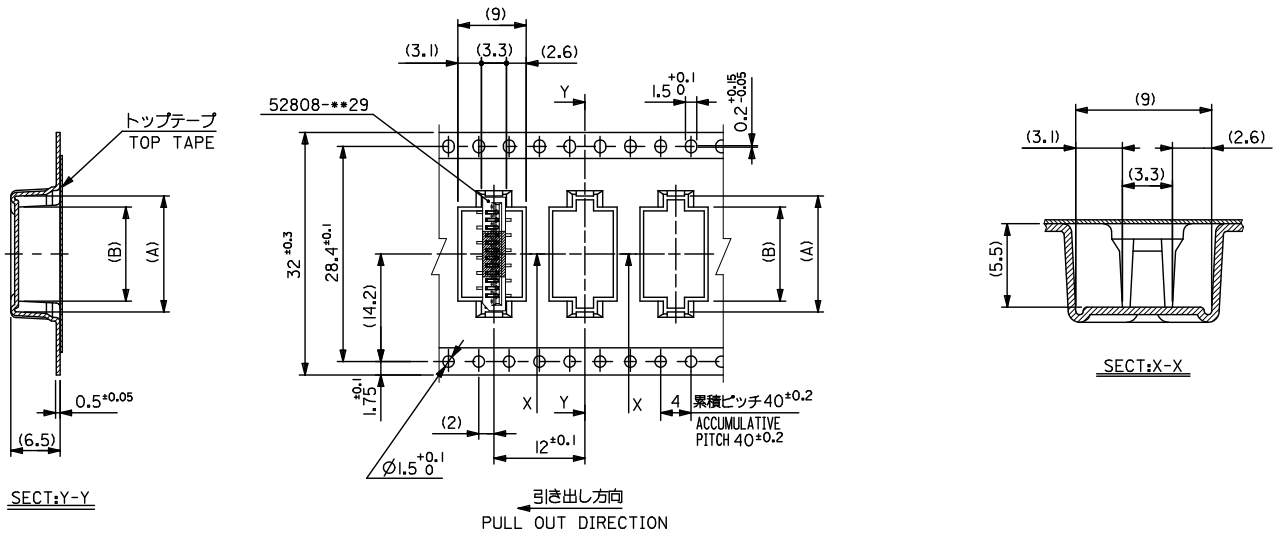
24mm幅キャリアテープ
24mm WIDTH CARRIER TAPE

24	29.4	25.4	10.4	13.3	52808-1071	10		
			9.4	12.3	52808-0971	9		
			8.4	11.3	52808-0871	8		
			7.4	10.3	52808-0771	7		
			6.4	9.3	52808-0671	6		
キャリアテープ幅 CARRIER TAPE WIDTH			D	C	(B)	(A)	MATERIAL NO.	積数 CKT.
MODEL NO.			52808-29					

SEE SHEET 1 OF 6 EC NO. J2015-0830 DRAWN: SANIMA 2014/12/18 CHKD: TAKAHASHI 2015/02/06 APPR: INOIGAWA 2015/02/23	GENERAL TOLERANCES (UNLESS SPECIFIED)			DIMENSION STYLE MM ONLY		SCALE ---	DESIGN UNITS METRIC	THIRD ANGLE PROJECTION
	0.25 UNDER	UNDER	±0.03	DRAWN BY	DATE	TITLE		
	0.25 OVER	0.5 UNDER	±0.05	MINOMIYA	2004/02/09	1.0 FFC CONN NON ZIF SMT ST WITH TAPE EMBSTP PKG -LEAD FREE-		
	0.5 OVER	1.0 UNDER	±0.1	CHECKED BY	DATE			
	1.0 OVER	10 UNDER	±---	KTOJO	2004/02/09			
	10 OVER	30 UNDER	±---	APPROVED BY	DATE	MATERIAL NO.	DOCUMENT NO.	SHEET NO.
30 OVER		±---	SEE CHART		SD-52808-026		3 OF 6	
ANGULAR	±---	°	THIS DRAWING CONTAINS INFORMATION THAT IS PROPRIETARY TO MOLEX INCORPORATED AND SHOULD NOT BE USED WITHOUT WRITTEN PERMISSION					

9 8 7 6 5 4 3 2 1

10 9 8 7 6 5 4 3 2 1



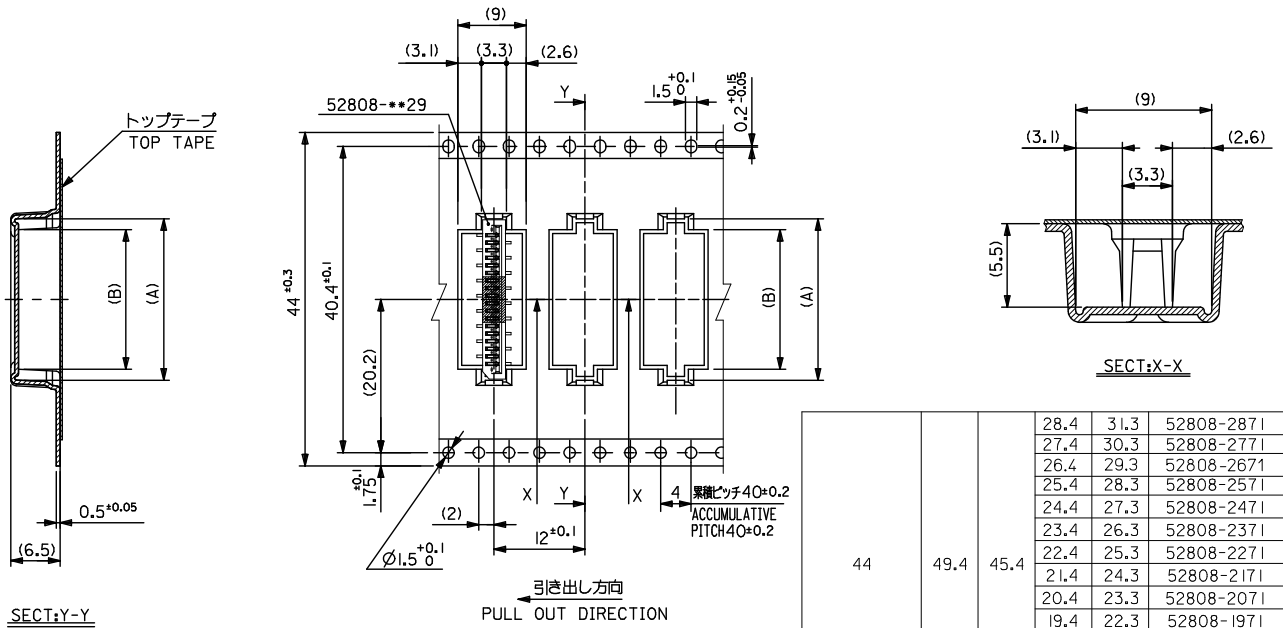
32mm幅キャリアテープ
32mm WIDTH CARRIER TAPE

32	37.4	33.4	15.4	18.3	52808-1571	15	
			14.4	17.3	52808-1471	14	
			13.4	16.3	52808-1371	13	
			12.4	15.3	52808-1271	12	
			11.4	14.3	52808-1171	11	
キャリアテープ幅 CARRIER TAPE WIDTH		D	C	(B)	(A)	MATERIAL NO.	種 敷 C K T.
MODEL NO.		52808-**-71					

SEE SHEET 1 OF 6 EC NO. J2015-0830 DRAWN BY: DRWNSANIMA 2014/12/18 CHKD: KAKASHI 2015/02/06 APPR: INOIGAWA 2015/02/23	GENERAL TOLERANCES (UNLESS SPECIFIED)			DIMENSION STYLE		SCALE	DESIGN UNITS	THIRD ANGLE PROJECTION	
	0.25 UNDER	UNDER	±0.03	MM ONLY		---	METRIC		
	0.25 OVER	0.5 UNDER	±0.05	DRAWN BY DATE		TITLE			
	0.5 OVER	1.0 UNDER	±0.1	MNINOMIYA 2004/02/09		1.0 FFC CONN NON ZIF SMT ST WITH TAPE EMBSTP PKG -LEAD FREE-			
	1.0 OVER	10 UNDER	±---	CHECKED BY DATE		MATERIAL NO. DOCUMENT NO.			
	10 OVER	30 UNDER	±---	KTOJO 2004/02/09		SD-52808-026			
30 OVER		±---	APPROVED BY DATE		SHEET NO.				
ANGULAR	±---	°	MATERIAL NO.		4 OF 6				
DRAFT WHERE APPLICABLE MUST REMAIN WITHIN DIMENSIONS			SEE CHART		THIS DRAWING CONTAINS INFORMATION THAT IS PROPRIETARY TO MOLEX INCORPORATED AND SHOULD NOT BE USED WITHOUT WRITTEN PERMISSION				

9 8 7 6 5 4 3 2 1

10 9 8 7 6 5 4 3 2 1



SECT:Y-Y

SECT:X-X

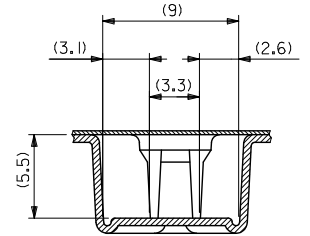
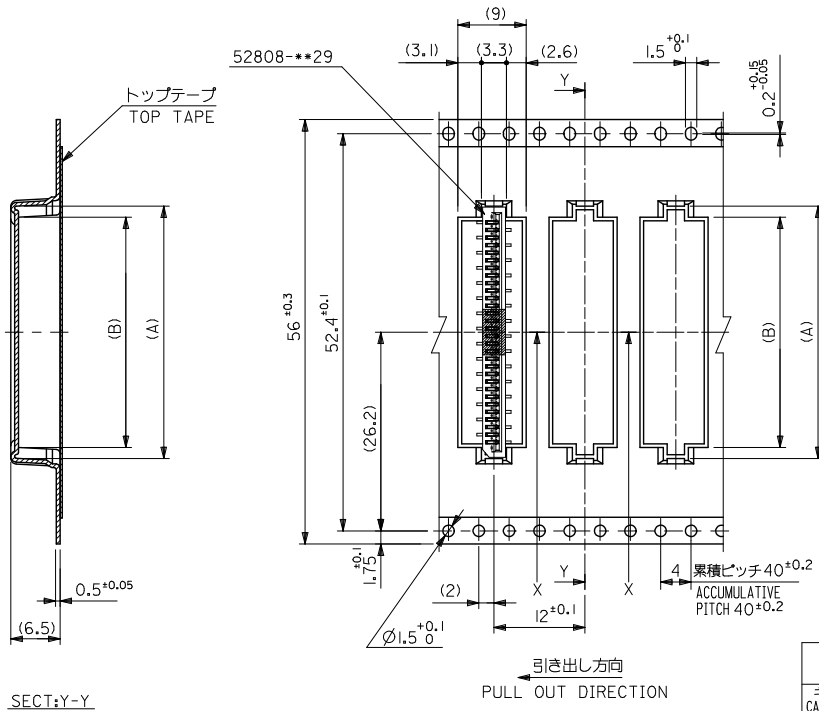
44mm幅キャリアテープ
44mm WIDTH CARRIER TAPE

44	49.4	45.4	28.4	31.3	52808-2871	28		
			27.4	30.3	52808-2771	27		
			26.4	29.3	52808-2671	26		
			25.4	28.3	52808-2571	25		
			24.4	27.3	52808-2471	24		
			23.4	26.3	52808-2371	23		
			22.4	25.3	52808-2271	22		
			21.4	24.3	52808-2171	21		
			20.4	23.3	52808-2071	20		
			19.4	22.3	52808-1971	19		
18.4	21.3	52808-1871	18					
17.4	20.3	52808-1771	17					
16.4	19.3	52808-1671	16					
キャリアテープ幅 CARRIER TAPE WIDTH			D	C	(B)	(A)	MATERIAL NO.	種数 CKT.
MODEL NO.			52808-***71					

SEE SHEET 1 OF 6 EC NO. J2015-0830 DRAWN: SANIMA 2014/12/18 CHKD: TAKAHASHI 2015/02/06 APPR: INOIGAWA 2015/02/23	GENERAL TOLERANCES (UNLESS SPECIFIED)			DIMENSION STYLE MM ONLY		SCALE ---	DESIGN UNITS METRIC	THIRD ANGLE PROJECTION
	0.25 UNDER	UNDER	±0.03	DRAWN BY	DATE	TITLE		
	0.25 OVER	0.5 UNDER	±0.05	MNINOMIYA	2004/02/09	1.0 FFC CONN NON ZIF SMT ST WITH TAPE EMBSTP PKG -LEAD FREE-		
	0.5 OVER	1.0 UNDER	±0.1	CHECKED BY	DATE			
	1.0 OVER	10 UNDER	±---	KTOJO	2004/02/09			
10 OVER	30 UNDER	±---	APPROVED BY	DATE	MATERIAL NO.	DOCUMENT NO.	SHEET NO.	
30 OVER		±---	SEE CHART		SD-52808-026		5 OF 6	
ANGULAR	±--- °		THIS DRAWING CONTAINS INFORMATION THAT IS PROPRIETARY TO MOLEX INCORPORATED AND SHOULD NOT BE USED WITHOUT WRITTEN PERMISSION					
DRAFT WHERE APPLICABLE MUST REMAIN WITHIN DIMENSIONS								

9 8 7 6 5 4 3 2 1

10 9 8 7 6 5 4 3 2 1



SECT:Y-Y

56mm幅キャリアテープ
56mm WIDTH CARRIER TAPE

56	61.4	57.4	30.4	33.3	52808-307I	30
キャリアテープ幅 CARRIER TAPE WIDTH	D	C	(B)	(A)	52808-297I	29
MODEL NO.					52808-***71	種数 CKT.

SEE SHEET 1 OF 6 EC NO. J2015-0830 DRAWN BY: DRWNSANIMA 2014/12/18 CHECKED BY: CHIKDKAKASHI 2015/02/06 APPR: YNOGAWA 2015/02/23	GENERAL TOLERANCES (UNLESS SPECIFIED)			DIMENSION STYLE		SCALE	DESIGN UNITS	THIRD ANGLE PROJECTION
	0.25 UNDER	UNDER	±0.03	MM ONLY		---	METRIC	⊙ □
	0.25 OVER	0.5 UNDER	±0.05	DRAWN BY: MNINOMIYA		DATE: 2004/02/09	TITLE: 1.0 FFC CONN NON ZIF SMT ST WITH TAPE EMBSTP PKG -LEAD FREE-	
	0.5 OVER	1.0 UNDER	±0.1	CHECKED BY: KTOJO		DATE: 2004/02/09	APPROVED BY: DATE	
	1.0 OVER	10 UNDER	±---	MATERIAL NO.		DOCUMENT NO.		
	10 OVER	30 UNDER	±---	SEE CHART		SD-52808-026		
	30 OVER		±---	SIZE: A3		THIS DRAWING CONTAINS INFORMATION THAT IS PROPRIETARY TO MOLEX INCORPORATED AND SHOULD NOT BE USED WITHOUT WRITTEN PERMISSION		
	ANGULAR	±--- °	DRAFT WHERE APPLICABLE MUST REMAIN WITHIN DIMENSIONS				SHEET NO. 6 OF 6	

9 8 7 6 5 4 3 2 1