

## Excellent Integrated System Limited

Stocking Distributor

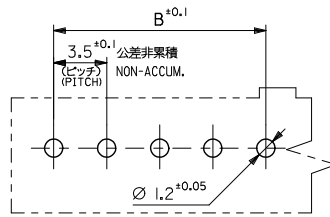
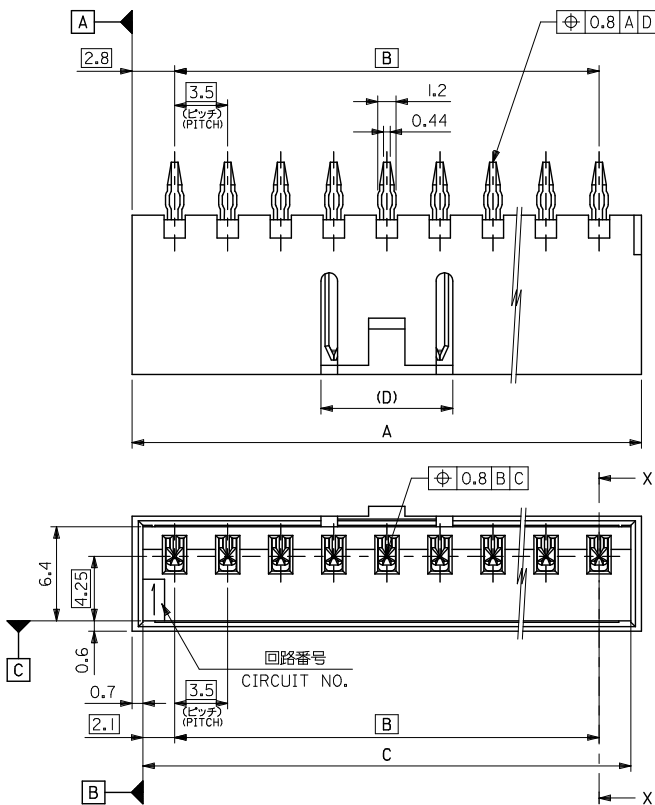
Click to view price, real time Inventory, Delivery & Lifecycle Information:

[Molex Connector Corporation](#)  
[0532581429](#)

For any questions, you can email us directly:

[sales@integrated-circuit.com](mailto:sales@integrated-circuit.com)

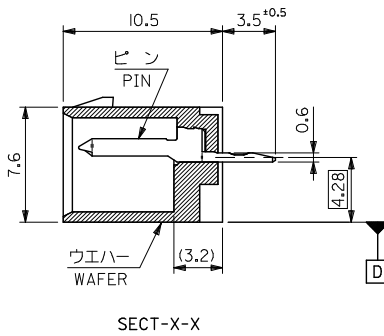
10 9 8 7 6 5 4 3 2 1



**注記 NOTES**

1. 嵌合相手: 51067 シリーズ  
MATE WITH: 51067 SERIES
2. 材質  
MATERIAL  
ウエハー: PBTP (ガラス15%入り), UL94V-0  
WAFER: PBTP (G.F. 15%), UL94V-0  
ピン: 黄銅, ニッケル下地 鍍メッキ (t=0.254)  
PIN: BRASS  
TIN OVER NICKEL PLATING (t=0.254)
3. 本製品は 53258-\*\*-20 の鉛フリー品である。  
THIS PRODUCT IS LEAD FREE OF 53258-\*\*-20.
4. メッキ仕様  
TERMINAL PLATING  
表面メッキ: スズメッキ 14μm MIN.  
SURFACE PLATE: TIN 14μm MIN.  
下地メッキ: ニッケルメッキ 14μm MIN.  
UNDER PLATE: NICKEL 14μm MIN.

基板取付穴推奨寸法 (参考) (t=1.6)  
RECOMMENDED P.C. BOARD HOLE DIM. (REF.)



8.7	53.2	49.0	54.6	53258-1529	15
	49.7	45.5	51.1	-1429	14
	46.2	42.0	47.6	-1329	13
	42.7	38.5	44.1	-1229	12
	39.2	35.0	40.6	-1129	11
	35.7	31.5	37.1	-1029	10
	32.2	28.0	33.6	-0929	9
	28.7	24.5	30.1	-0829	8
	25.2	21.0	26.6	-0729	7
	21.7	17.5	23.1	-0629	6
	18.2	14.0	19.6	-0529	5
8.7	14.7	10.5	16.1	-0429	4
6.1	11.2	7.0	12.6	-0329	3
6.1	7.7	3.5	9.1	53258-0229	2
(D)	C	B	A	MATERIAL NO.	CKT. 種数

MATERIAL 材料  
注記参照  
SEE NOTES

REVISED EC NO. J2007-0432 DRWKSATT001 CHKD:THARYAMA APPR:NIKIITA 2006/08/11 2006/08/21 2006/08/23	DESCRIPTION	GENERAL TOLERANCES (UNLESS SPECIFIED)	DIMENSION STYLE MM ONLY	SCALE 4:1	DESIGN UNITS METRIC	THIRD ANGLE PROJECTION
	REV A	10 UNDER ±0.2 10 OVER 30 UNDER ±0.25 30 OVER ±0.3 ANGULAR ±3° DRAFT WHERE APPLICABLE MUST REMAIN WITHIN DIMENSIONS	DRAWN BY T. UENO CHECKED BY M. SASAO APPROVED BY M. SASAO MATERIAL NO. SIZE A3	DATE 2004/04/22 DATE 2004/04/22 DATE 2004/04/22	TITLE 3.5 WIRE TO BOARD CONN -LEAD FREE-	MOLEX INCORPORATED DOCUMENT NO. SD-53258-005
			SEE CHART			SHEET NO. 1 OF 1
						THIS DRAWING CONTAINS INFORMATION THAT IS PROPRIETARY TO MOLEX INCORPORATED AND SHOULD NOT BE USED WITHOUT WRITTEN PERMISSION