

Excellent Integrated System Limited

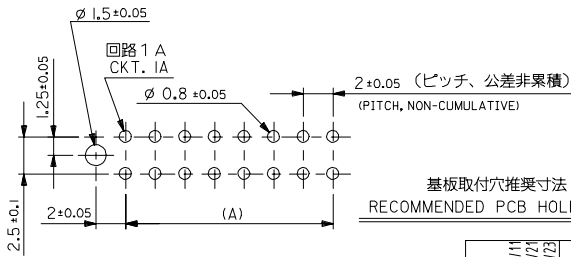
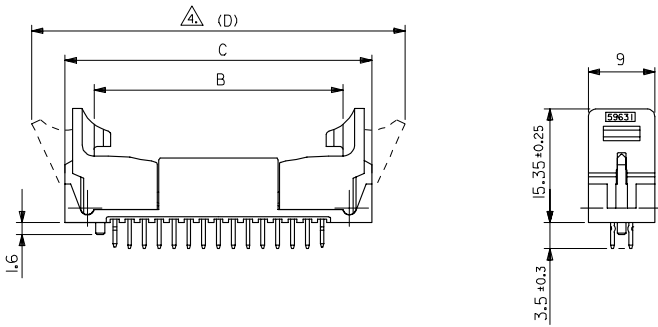
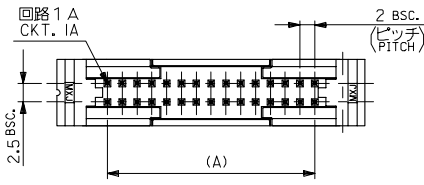
Stocking Distributor

Click to view price, real time Inventory, Delivery & Lifecycle Information:

[Molex Connector Corporation](#)
[0533145065](#)

For any questions, you can email us directly:
sales@integrated-circuit.com

10 9 8 7 6 5 4 3 2 1



基板取付穴推奨寸法 (参考)
RECOMMENDED PCB HOLE DIM.(REF.)

注記
NOTES

1. 材料:
MATERIALS:
ウエハー : ガラス入り 66ナイロン
UL94V-0 色: グレー
WAFER : GLASS FILLED 66 NYLON
UL94V-0, COLOR : GRAY
ピン : 黄銅、スズメッキ
PIN : BRASS, PRE-TINNED
2. 適合メスコネクター : 51089-***5, 52478-***15,
MATING CONNECTORS
3. 推奨基板厚:
RECOMMENDED PCB THICKNESS : t
4. イジェクトが開いている状態。
EJECTORS IN OPEN POSITION
5. メッキ仕様
TERMINAL PLATING
表面メッキ : スズメッキ 14μm MIN.
SURFACE PLATE : TIN 14μm MIN.
下地メッキ : ニッケルメッキ 0.54μm MIN.
UNDER PLATE : NICKEL 0.54μm MIN.

無鉛
LEAD FREE

80.4	71.4	63.6	58	53314-6065	60
70.4	61.4	53.6	48	-5065	50
60.4	51.4	43.6	38	-4065	40
54.4	45.4	37.6	32	-3465	34
50.4	41.4	33.6	28	53314-3065	30
(D)	C	B	(A)	MATERIAL NO.	CKT.

MATERIAL
材料
注記参照
SEE NOTES

REVISED EC NO: J2007-0432 DRW/KSAL/T001 2006/08/11 CHKD:THARUYAMA 2006/08/21 APPR:NIKITA 2006/08/23	DESCRIPTION	GENERAL TOLERANCES (UNLESS SPECIFIED)	DIMENSION STYLE MM ONLY	SCALE 2:1	DESIGN UNITS METRIC	THIRD ANGLE PROJECTION
	10 UNDER	±0.2	DRAWN BY A. IIDA	DATE 2003/05/07	TITLE 2.0 W/B DUAL ROW S/T HEADER WITH EJECT ASSY	
	10 OVER 30 UNDER	±0.25	CHECKED BY J. MIYAZAWA	DATE 2003/05/07		
	30 OVER	±0.3	APPROVED BY Y. ITO	DATE 2003/05/07	MOLEX INCORPORATED	
ANGULAR	±3°	DRAFT WHERE APPLICABLE MUST REMAIN WITHIN DIMENSIONS	MATERIAL NO. SEE CHART	DOCUMENT NO. SD-53314-001	SHEET NO. 1 OF 1	
SIZE A3	THIS DRAWING CONTAINS INFORMATION THAT IS PROPRIETARY TO MOLEX INCORPORATED AND SHOULD NOT BE USED WITHOUT WRITTEN PERMISSION					