

Excellent Integrated System Limited

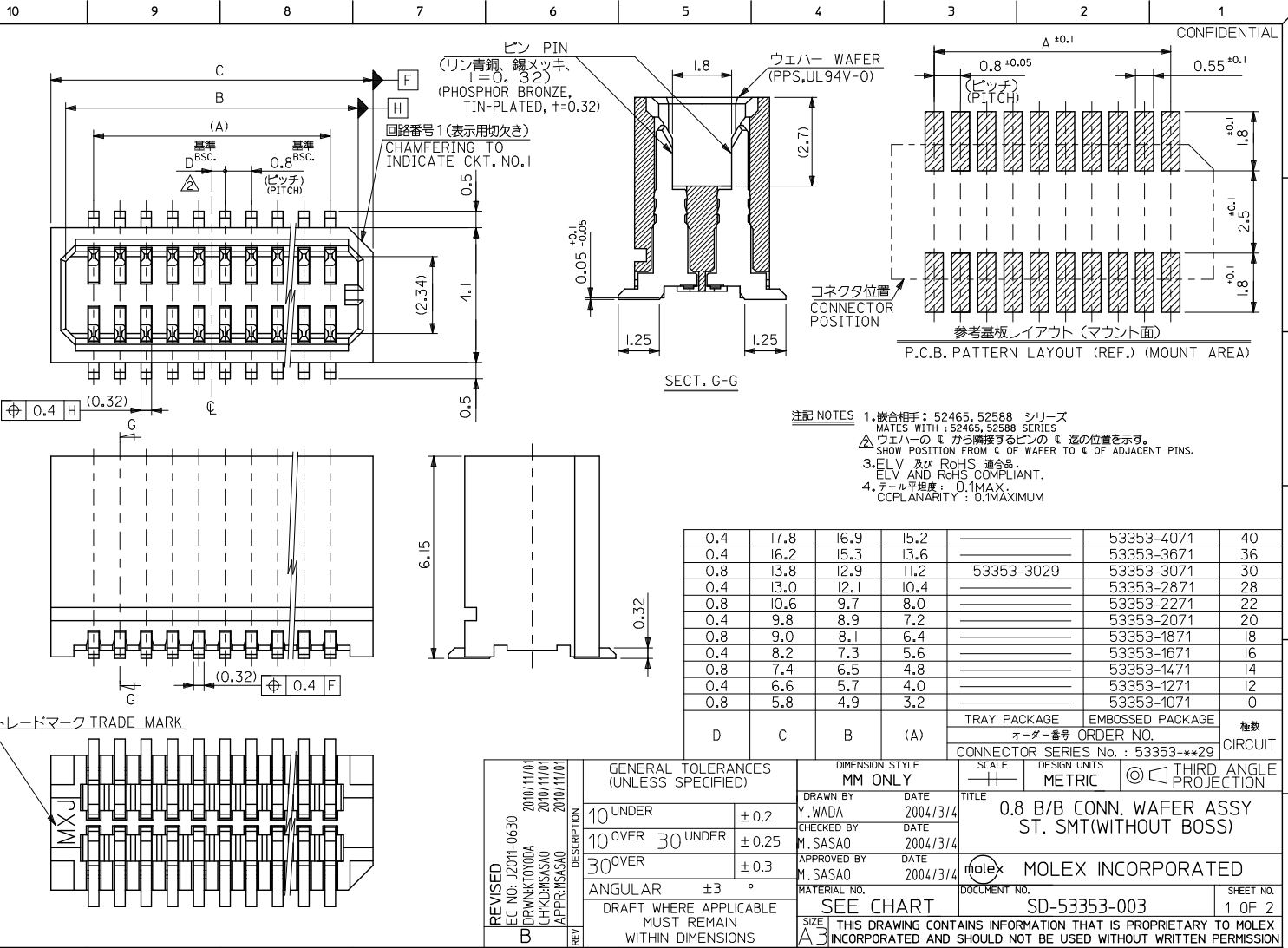
Stocking Distributor

Click to view price, real time Inventory, Delivery & Lifecycle Information:

[Molex Connector Corporation](#)
[0533531871](#)

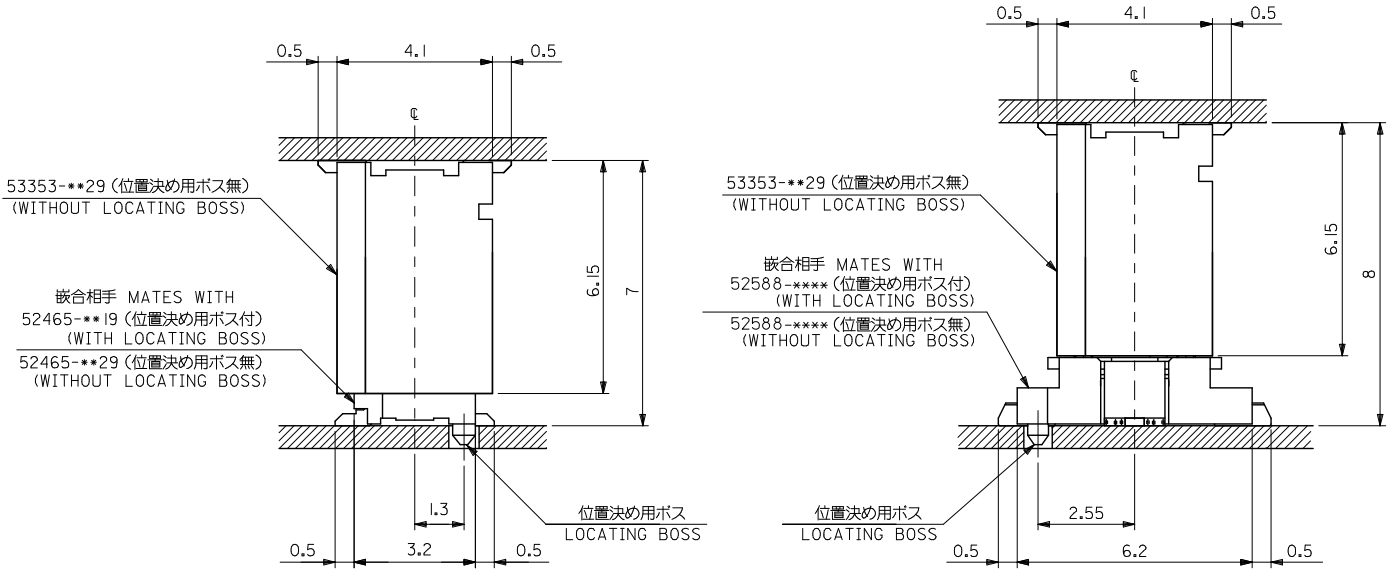
For any questions, you can email us directly:

sales@integrated-circuit.com



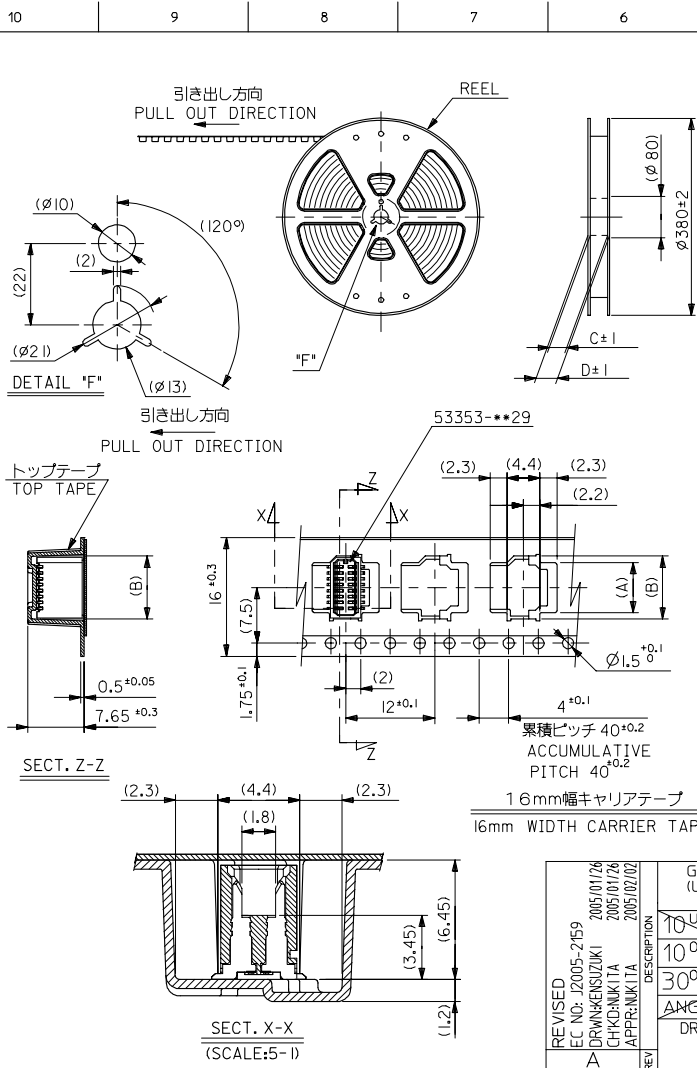
10 9 8 7 6 5 4 3 2 1

CONFIDENTIAL



嵌合状態図 (参考)
MATED DRAWING (REF.)

REVISIONS REV. NO. DATE BY DESCRIPTION B 2010/11/01 DRANKIYODA CHIKDSASAO 2010/11/01 A 2010/11/01 APPR:MSASAO 2010/11/01	GENERAL TOLERANCES (UNLESS SPECIFIED)		DIMENSION STYLE MM ONLY		CONNECTOR SERIES No. : 53353-***29	
	10 UNDER	± ---	DRAWN BY	DATE	SCALE	DESIGN UNITS
	10 OVER 30 UNDER	± ---	Y. WADA	2004/3/4	1:1	METRIC
	30 OVER	± ---	CHECKED BY	DATE	THIRD ANGLE PROJECTION	
	ANGULAR ± --- °		M. SASAO	2004/3/4	TITLE 0.8 B/B CONN. WAFER ASSY ST. SMT(WITHOUT BOSS)	
	DRAFT WHERE APPLICABLE MUST REMAIN WITHIN DIMENSIONS		APPROVED BY	DATE	MOLEX INCORPORATED	
			M. SASAO	2004/3/4	DOCUMENT NO. SD-53353-003	
			MATERIAL NO. SEE CHART		SHEET NO. 2 OF 2	
			SIZE A3		THIS DRAWING CONTAINS INFORMATION THAT IS PROPRIETARY TO MOLEX INCORPORATED AND SHOULD NOT BE USED WITHOUT WRITTEN PERMISSION	



注記 NOTES

1. 梱包数量: 1000個/リール NUMBER OF CONNECTORS: 1000PCS/REEL
2. リードテープ長さ LEAD TAPE LENGTH

トップテープ リーダー部	TOP TAPE LEADER PART	トップテープ 未接着部	TOP TAPE NON-BONDED PART
175 ^{+0.25}	25 ^{+0.5}		
3. トップテープの剥離強度: (剥離方向は下図参照)
 0. 1~1.3N (10~130gf) 尚、本規格値は、出荷時に適用。
 (但し、輸送時に剥離が発生しない事。)
 PEELING OFF FORCE OF TOP TAPE
 0. 1~1.3N (10~130gf) (PEELING DIRECTION AS SHOWN IN FOLLOWING FIG.)
 THIS REQUIREMENT SHOULD BE APPLIED AT SHIPMENT
 PEEL OFF SHOULD NOT BE ALLOWED,
 DURING TRANSPORTATION

引き出し方向 PULL OUT DIRECTION	剥離方向 PEEL OFF DIRECTION
4. 材料 MATERIAL
 キャリアテープ: ポリプロピレン (PP) CARRIER TAPE: POLYPROPYLENE
 トップテープ: PET, PE, PEF TOP TAPE: PET, PE, PEF
 リール: ポリスチレン (PS) REEL: POLYSTYRENE (PS)
 <リサイクル材を含む> <RECYCLE MATERIAL CONTAIND>
5. 本製品は53353-***91の鉛フリー品である。
 THIS PRODUCT IS LEAD FREE OF 53353-***91.

16	21.4	17.4	8.5	6.7	53353-1671	16
			7.7	5.9	53353-1471	14
			6.9	5.1	53353-1271	12
			6.1	4.3	53353-1071	10
キャリアテープ幅 CARRIER TAPE WIDTH	D	C	(B)	(A)	MATERIAL NO.	極数 CIRCUIT

REVISED EC NO: J2005-2159 DRW: KENSUJIKI CHK: KIKITA APP: KIKITA	DESCRIPTION 2005/01/26 2005/01/26 2005/02/02	GENERAL TOLERANCES (UNLESS SPECIFIED)		DIMENSION STYLE MM ONLY	SCALE ---	DESIGN UNITS METRIC	MODEL NO. 53353-***71
		10 UNDER	±0.2	DRAWN BY YWADA	DATE 2004/03/04	TITLE 0.8 BTB CONN WAFER ASSY ST SMT WITHOUT BOSS EMBTP PKG -LEAD FREE-	SHEET NO. 1 OF 2
		10 OVER 30 UNDER	±0.25	CHECKED BY MSASAO	DATE 2004/03/04	MOLEX INCORPORATED	
		30 OVER	±0.3	APPROVED BY MSASAO	DATE 2004/03/04		
		ANGULAR	±3	MATERIAL NO. SEE CHART	DOCUMENT NO. SD-53353-004		
DRAFT WHERE APPLICABLE MUST REMAIN WITHIN DIMENSIONS		SIZE A3	THIS DRAWING CONTAINS INFORMATION THAT IS PROPRIETARY TO MOLEX INCORPORATED AND SHOULD NOT BE USED WITHOUT WRITTEN PERMISSION				

