

Excellent Integrated System Limited

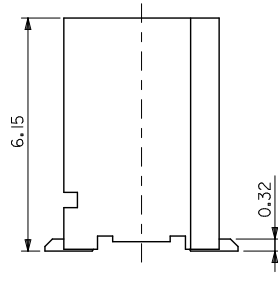
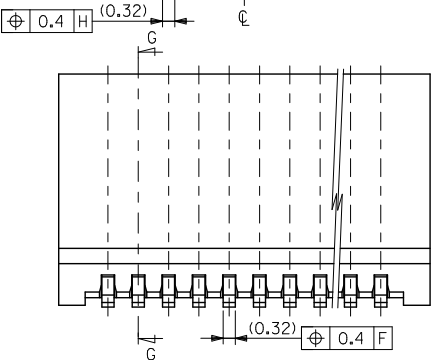
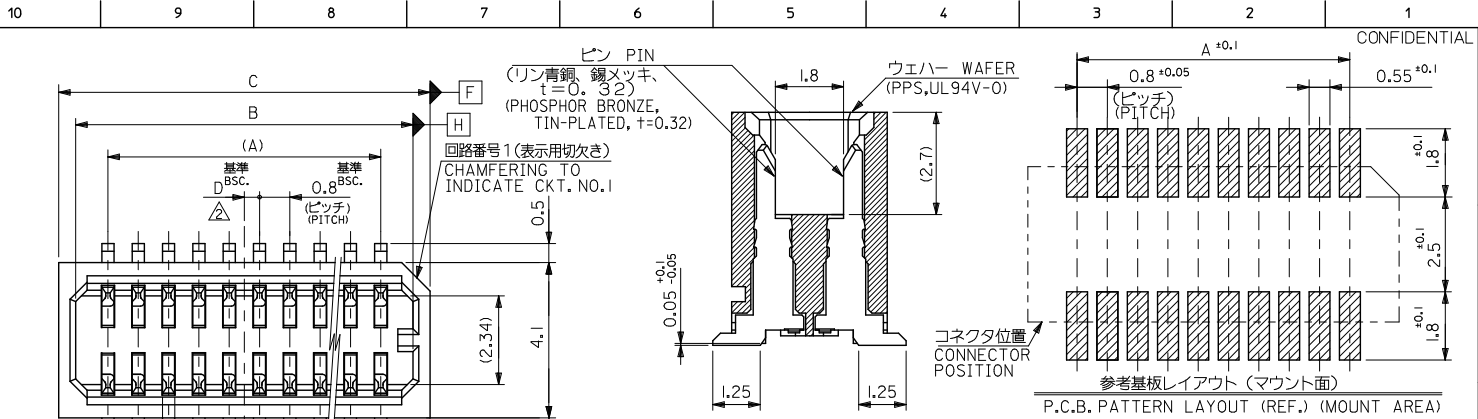
Stocking Distributor

Click to view price, real time Inventory, Delivery & Lifecycle Information:

[Molex Connector Corporation](#)
[0533532871](#)

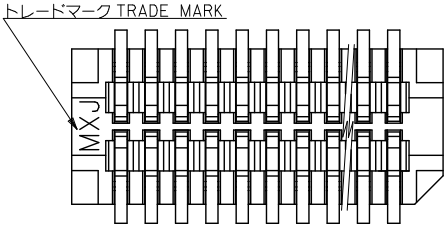
For any questions, you can email us directly:

sales@integrated-circuit.com



- 注記 NOTES**
1. 嵌合相手: 52465, 52588 シリーズ
MATES WITH 52465, 52588 SERIES
 2. ワエハーの ϕ から隣接するピンとの ϕ の位置を示す。
SHOW POSITION FROM ϕ OF WAFER TO ϕ OF ADJACENT PINS.
 3. ELV 及び RoHS 適合品。
ELV AND RoHS COMPLIANT.
 4. テール平直度: 0.1MAX
COPLANARITY: 0.1MAXIMUM

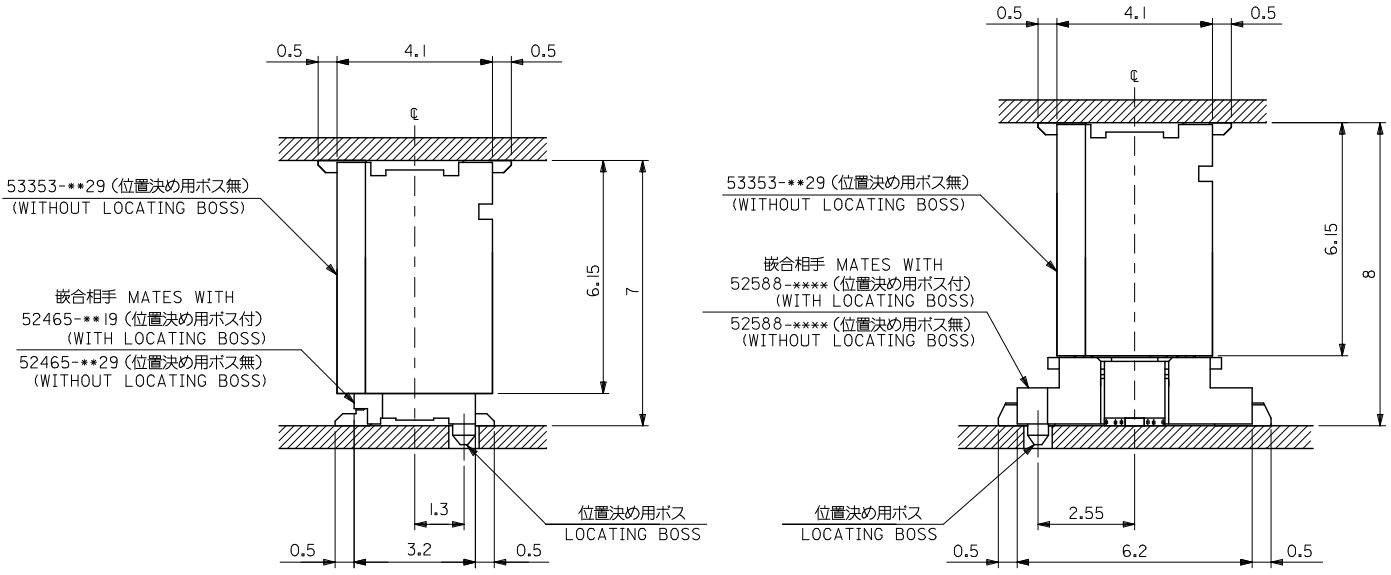
0.4	17.8	16.9	15.2		53353-4071	40
0.4	16.2	15.3	13.6		53353-3671	36
0.8	13.8	12.9	11.2	53353-3029	53353-3071	30
0.4	13.0	12.1	10.4		53353-2871	28
0.8	10.6	9.7	8.0		53353-2271	22
0.4	9.8	8.9	7.2		53353-2071	20
0.8	9.0	8.1	6.4		53353-1871	18
0.4	8.2	7.3	5.6		53353-1671	16
0.8	7.4	6.5	4.8		53353-1471	14
0.4	6.6	5.7	4.0		53353-1271	12
0.8	5.8	4.9	3.2		53353-1071	10



REVISED EC NO. J2011-0630 DRAWN BY Y. WADA CHIKO SASAO APPR. M. SASAO 2010/11/01 2010/11/01 2010/11/01	GENERAL TOLERANCES (UNLESS SPECIFIED)		DIMENSION STYLE MM ONLY		SCALE H		DESIGN UNITS METRIC		THIRD ANGLE PROJECTION	
	10 UNDER	± 0.2	DRAWN BY Y. WADA		DATE 2004/3/4		TITLE 0.8 B/B CONN. WAFER ASSY ST. SMT(WITHOUT BOSS)			
	10 OVER 30 UNDER	± 0.25	CHECKED BY M. SASAO		DATE 2004/3/4					
	30 OVER	± 0.3	APPROVED BY M. SASAO		DATE 2004/3/4		MOLEX INCORPORATED DOCUMENT NO. SD-53353-003		SHEET NO. 1 OF 2	
ANGULAR ± 3°		DRAFT WHERE APPLICABLE MUST REMAIN WITHIN DIMENSIONS		MATERIAL NO. SEE CHART		THIS DRAWING CONTAINS INFORMATION THAT IS PROPRIETARY TO MOLEX INCORPORATED AND SHOULD NOT BE USED WITHOUT WRITTEN PERMISSION		EN-02DA(021)		

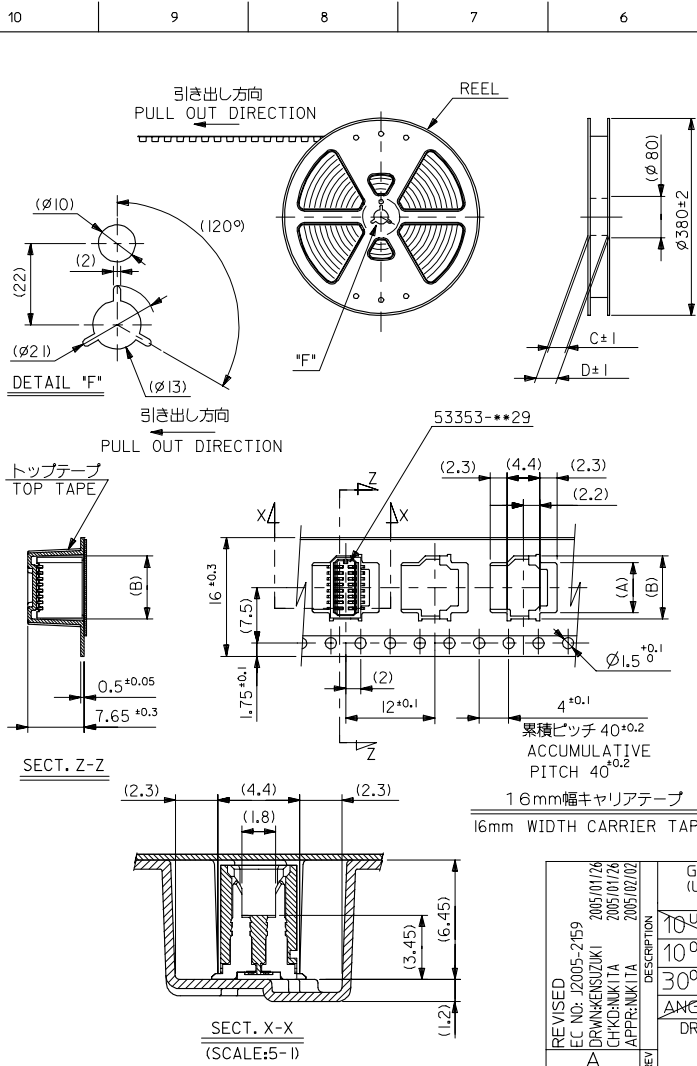
10 9 8 7 6 5 4 3 2 1

CONFIDENTIAL



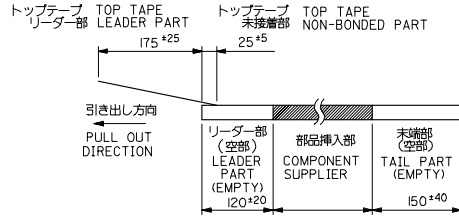
嵌合状態図 (参考)
MATED DRAWING (REF.)

REVISIONS REV. NO. DATE DRAWN BY CHECKED BY APPROVED BY B 2010/11/01 CHIKO SASAO M. SASAO M. SASAO C 2010/11/01 CHIKO SASAO M. SASAO M. SASAO	GENERAL TOLERANCES (UNLESS SPECIFIED)		DIMENSION STYLE MM ONLY		CONNECTOR SERIES No. : 53353-***29	
	10 UNDER	± ---	DRAWN BY	DATE	SCALE	DESIGN UNITS
	10 OVER 30 UNDER	± ---	Y. WADA	2004/3/4	1:1	METRIC
	30 OVER	± ---	M. SASAO	2004/3/4		
	ANGULAR	± --- °	CHECKED BY	DATE	THIRD ANGLE PROJECTION	
	DRAFT WHERE APPLICABLE MUST REMAIN WITHIN DIMENSIONS		M. SASAO	2004/3/4	TITLE 0.8 B/B CONN. WAFER ASSY ST. SMT(WITHOUT BOSS)	
			APPROVED BY	DATE	MOLEX INCORPORATED	
			M. SASAO	2004/3/4	DOCUMENT NO. SD-53353-003	
			SEE CHART		SHEET NO. 2 OF 2	
			THIS DRAWING CONTAINS INFORMATION THAT IS PROPRIETARY TO MOLEX INCORPORATED AND SHOULD NOT BE USED WITHOUT WRITTEN PERMISSION			

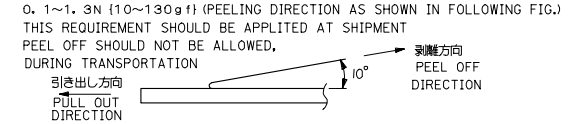


注記 NOTES

1. 梱包数量: 1000個/リール NUMBER OF CONNECTORS:1000PCS/REEL
2. リードテープ長さ LEAD TAPE LENGTH



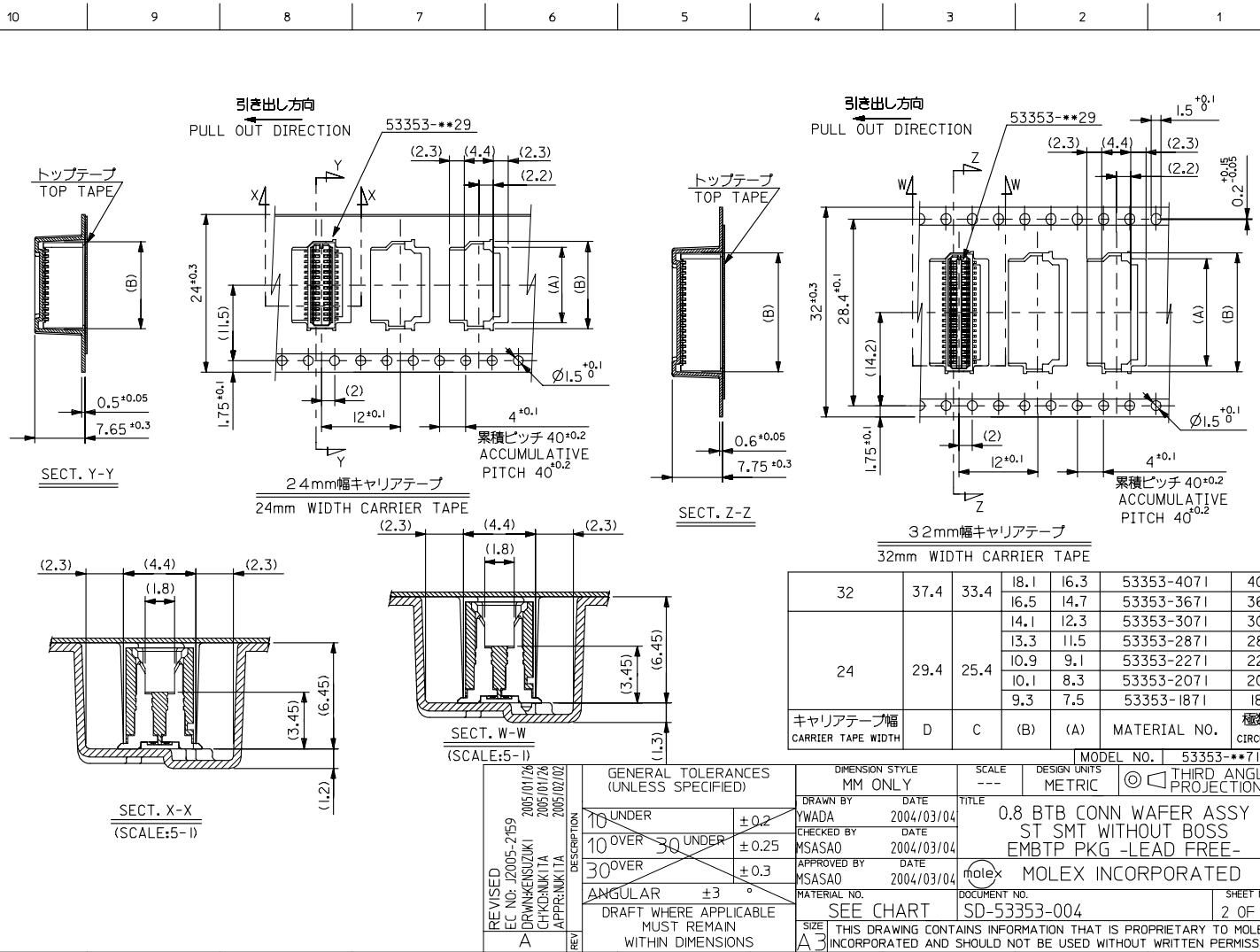
3. トップテープの剥離強度: (剥離方向は下図参照)
0. 1~1.3N (10~130gf) 尚、本規格値は、出荷時に適用。
(但し、輸送時に剥離が発生しない事。)



4. 材料 MATERIAL
キャリアテープ: ポリプロピレン (PP) CARRIER TAPE: POLYPROPYLENE
トップテープ: PET, PE, PEF TOP TAPE: PET, PE, PEF
リール: ポリスチレン (PS) REEL: POLYSTYRENE (PS)
<リサイクル材を含む> <RECYCLE MATERIAL CONTAIND>
5. 本製品は53353-***91の鉛フリー品である。
THIS PRODUCT IS LEAD FREE OF 53353-***91.

16	21.4	17.4	8.5	6.7	53353-1671	16
			7.7	5.9	53353-1471	14
			6.9	5.1	53353-1271	12
			6.1	4.3	53353-1071	10
キャリアテープ幅 CARRIER TAPE WIDTH		D	C	(B)	(A)	MATERIAL NO. 種数 CIRCUIT

REVISED EC NO: J2005-2159 DRW: KENSUJIKI CHK: DANIKITA APP: NIKITA	DESCRIPTION 2005/01/26 2005/01/26 2005/02/02	GENERAL TOLERANCES (UNLESS SPECIFIED)		DIMENSION STYLE MM ONLY	SCALE ---	DESIGN UNITS METRIC	THIRD ANGLE PROJECTION	
		10 UNDER	±0.2	DRAWN BY YWADA	DATE 2004/03/04	TITLE 0.8 BTB CONN WAFER ASSY ST SMT WITHOUT BOSS EMBTP PKG -LEAD FREE-		
		10 OVER 30 UNDER	±0.25	CHECKED BY MSASAO	DATE 2004/03/04	MATERIAL NO. SD-53353-004		
		30 OVER	±0.3	APPROVED BY MSASAO	DATE 2004/03/04	DOCUMENT NO. SD-53353-004		
ANGULAR ±3		DRAFT WHERE APPLICABLE MUST REMAIN WITHIN DIMENSIONS		SIZE A3		SHEET NO. 1 OF 2		



Pin Count	Carrier Tape Width (mm)	Carrier Tape Width (mm)	Carrier Tape Width (mm)	Material No.	Circuit	
32	37.4	33.4	18.1	16.3	53353-4071	40
			16.5	14.7	53353-3671	36
			14.1	12.3	53353-3071	30
24	29.4	25.4	13.3	11.5	53353-2871	28
			10.9	9.1	53353-2271	22
			10.1	8.3	53353-2071	20
			9.3	7.5	53353-1871	18

MODEL NO. 53353-***71 THIRD ANGLE PROJECTION	
GENERAL TOLERANCES (UNLESS SPECIFIED) DIMENSION STYLE: MM ONLY SCALE: --- DESIGN UNITS: METRIC	TITLE: 0.8 BTB CONN WAFER ASSY ST SMT WITHOUT BOSS EMBTP PKG -LEAD FREE- MOLEX INCORPORATED
DRAWN BY: YWADA CHECKED BY: MSASAO APPROVED BY: MSASAO DATE: 2004/03/04	MATERIAL NO. SEE CHART DOCUMENT NO. SD-53353-004 SHEET NO. 2 OF 2
REVISIONS: 10 UNDER ±0.2 10 OVER ±0.25 30 OVER ±0.3 ANGULAR ±3 DRAFT WHERE APPLICABLE MUST REMAIN WITHIN DIMENSIONS	THIS DRAWING CONTAINS INFORMATION THAT IS PROPRIETARY TO MOLEX INCORPORATED AND SHOULD NOT BE USED WITHOUT WRITTEN PERMISSION