

## Excellent Integrated System Limited

Stocking Distributor

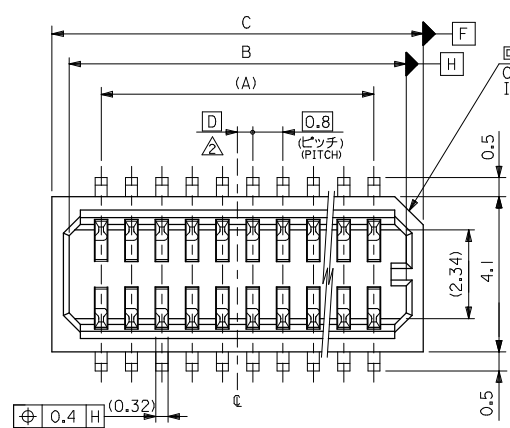
Click to view price, real time Inventory, Delivery & Lifecycle Information:

[Molex Connector Corporation](#)  
[0533642870](#)

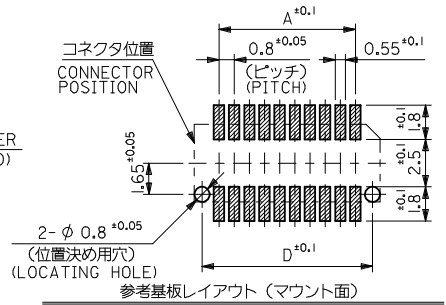
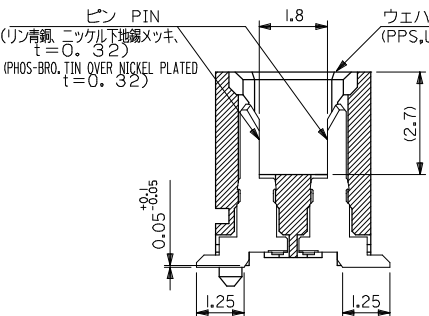
For any questions, you can email us directly:

[sales@integrated-circuit.com](mailto:sales@integrated-circuit.com)

10 9 8 7 6 5 4 3 2 1

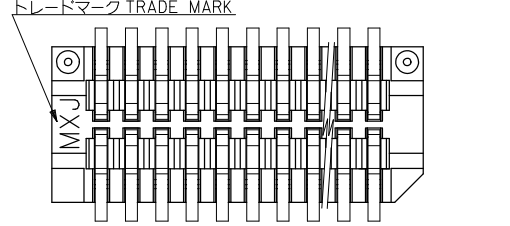
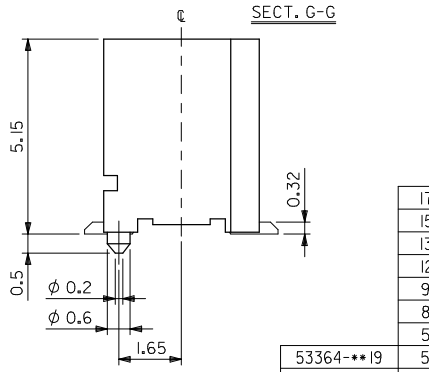
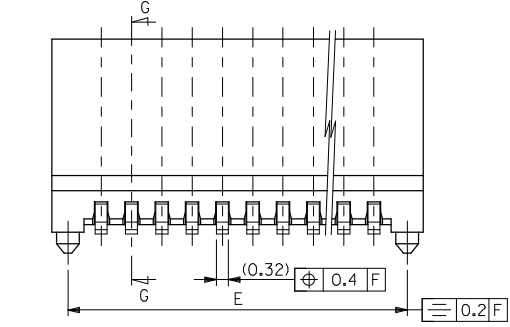


回路番号 1 (表示用切欠き)  
CHAMFERING TO INDICATE CKT. NO.1



参考基板レイアウト (マウント面)  
P.C.B. PATTERN LAYOUT (REF.) (MOUNT AREA)

- 注記 NOTES
1. 嵌合相手: 52465 シリズ  
MATES WITH 52465 SERIES
  2. ワエハーの  $\epsilon$  から隣接するピンの  $\epsilon$  迄の位置を示す。  
SHOW POSITION FROM  $\epsilon$  OF WAFER TO  $\epsilon$  OF ADJACENT PINS.
  3. 本製品は 53364-\*\*17 の鉛フリー品である。  
THIS PRODUCT IS LEAD FREE OF 53364-\*\*17



トレードマーク TRADE MARK

17.0	0.4	17.8	16.9	15.2	53364-4019	40
15.4	0.4	16.2	15.3	13.6	53364-3619	36
13.0	0.8	13.8	12.9	11.2	53364-3019	30
12.2	0.4	13.0	12.1	10.4	53364-2819	28
9.0	0.4	9.8	8.9	7.2	53364-2019	20
8.2	0.8	9.0	8.1	6.4	53364-1819	18
5.8	0.4	6.6	5.7	4.0	53364-1219	12
5.0	0.8	5.8	4.9	3.2	53364-1019	10

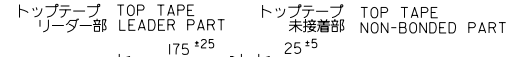
REVISED EC NO. J2008-3931 DRAWN: KAMIRAA 2008/05/26 CHKD: T. HARIYAMA 2008/05/26 APPR: NIKITA 2008/08/21	DESCRIPTION	GENERAL TOLERANCES (UNLESS SPECIFIED)		DIMENSION STYLE MM ONLY		SCALE ---	DESIGN UNITS METRIC	THIRD ANGLE PROJECTION
		10 UNDER	±0.2	DRAWN BY M. NABEI	DATE	TITLE 0.8 BOARD TO BOARD CONN. WAFER ASS ST.SMT -LEAD FREE-		
REV A	DRAFT WHERE APPLICABLE MUST REMAIN WITHIN DIMENSIONS	10 OVER	±0.25	CHECKED BY K. TOJO	DATE	MATERIAL NO.	DOCUMENT NO.	SHEET NO. 1 OF 1
		30 OVER	±0.3	APPROVED BY M. SASAO	DATE	SEE TABLE	SD-53364-001	

DWG. NO. SD-53364-002  
E  
D  
C  
B  
A  
DIMENSIONS IN METRIC DO NOT SCALE DRAWING

注記 NOTES

1. 梱包数量: 1000個/リール NUMBER OF CONNECTORS: 1000PCS/REEL

2. リードテープ長さ LEAD TAPE LENGTH



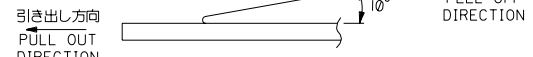
3. トップテープの剥離強度: (剥離方向は下図参照)

0.1~1.3N (10 ~ 130gf) 尚、本規格値は、出荷時に適用。  
(但し、輸送時に剥離が発生しない事。)

PEELING OFF FORCE OF TOP TAPE

0.1~1.3N (10 ~ 130gf) (PEELING DIRECTION AS SHOWN IN FOLLOWING FIG.)

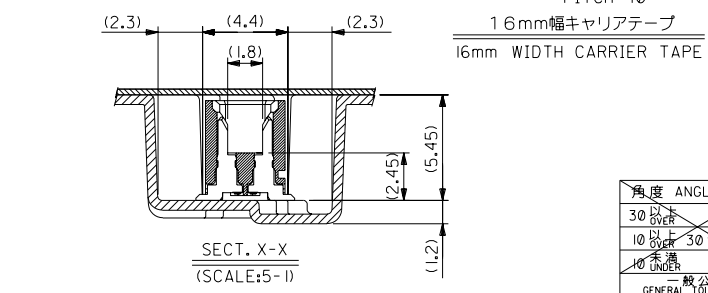
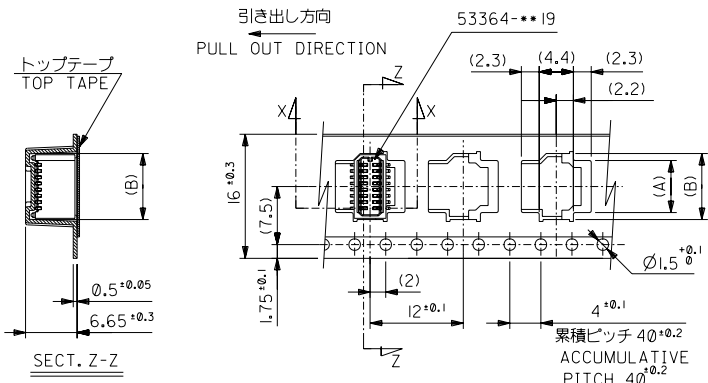
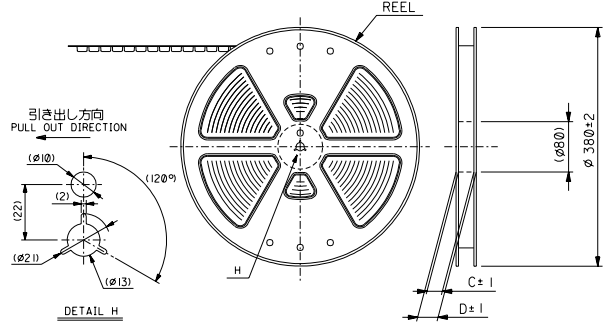
THIS REQUIREMENT SHOULD BE APPLIED AT SHIPMENT  
PEEL OFF SHOULD NOT BE ALLOWED,  
DURING TRANSPORTATION



4. 材料

キャリアテープ: ポリプロピレン (PP) CARRIER TAPE: POLYPROPYLENE  
トップテープ: PET, PE, PEF TOP TAPE: PET, PE, PEF  
リール: ポリスチレン (PS) REEL: POLYSTYRENE (PS)  
<リサイクル材を含む> <RECYCLE MATERIAL CONTAINED>

5. 本製品は 53364-\*\*\*90 の鉛フリー品である。  
THIS PRODUCT IS LEAD FREE OF 53364-\*\*\*90

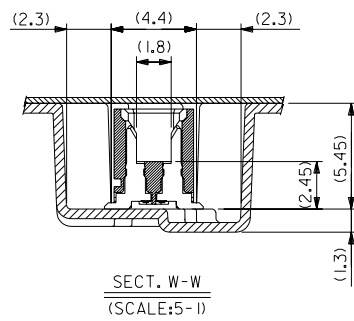
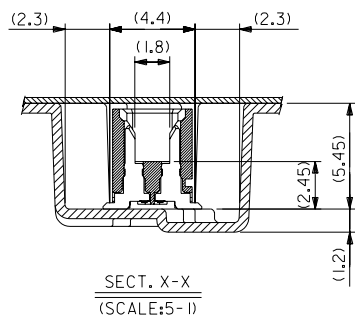
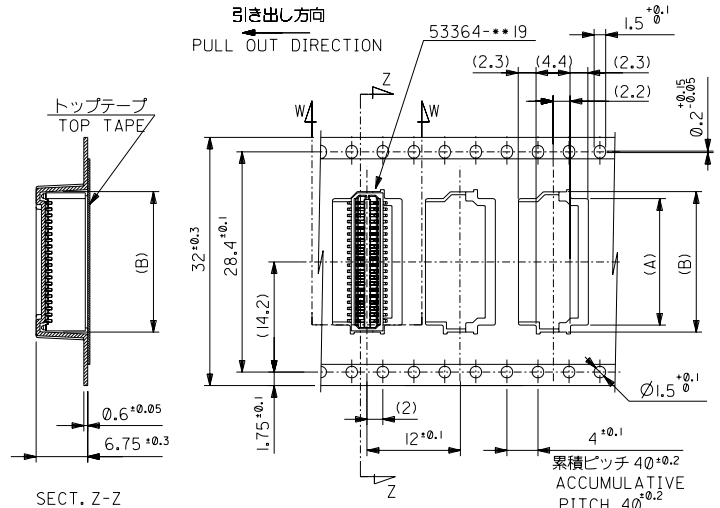
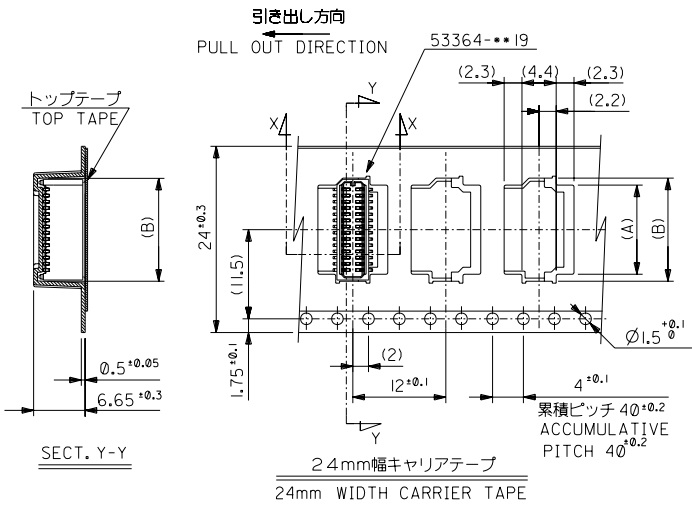


	16	21.4	17.4	9.3	7.5	53364-1870	18
				6.9	5.1	53364-1270	12
				6.1	4.3	53364-1070	10
53364-***70	キャリアテープ幅 CARRIER TAPE WIDTH	D	C	(B)	(A)	MATERIAL NO.	極致 CIRCUIT
MODEL NO.	材料 MATERIAL					MOLEX-JAPAN CO.,LTD. 日本モレックス株式会社	
	注記参照 SEE NOTES					REVISE ONLY ON CAD SYSTEM	
	仕上げ FINISH					TITLE 名称	
	適用電線範囲 WIRE RANGE					0.8 BtB Conn Wafer Assy	
	被覆外径 INS. RANGE					ST SMT With Boss	
	DRAWN BY: 04/03/09 M.NAGEL					Embstp Pkg -LEAD FREE-	
	CHECKED BY: 04/03/09 K.TOJO					DWG. NO. (SHEET 1 OF 2) REV	
	DATE: 04/03/09 M.SASAO					SD-53364-002 0	
記号 LTR	変更内容 REVISION RECORD	DR. CHK.	日付 DATE	APP'D BY 尺度	尺度 SCALE		

角度 ANGLE	±30°
30°以上 OVER	+0.5
10°以上 OVER	+0.25
10°未満 UNDER	-0.2
一般公差 GENERAL TOLERANCES	

DWG. NO. SD-53364-002

DIMENSIONS IN METRIC DO NOT SCALE DRAWING



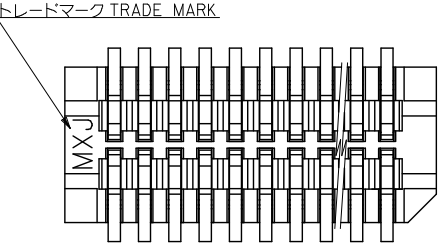
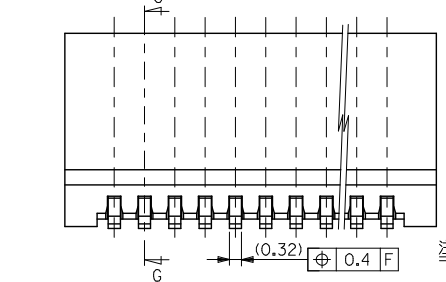
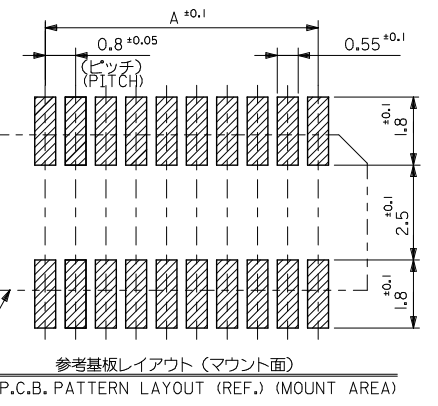
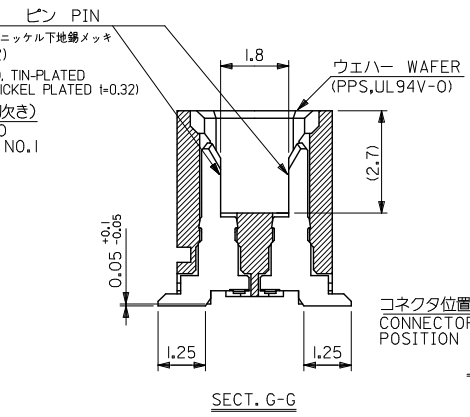
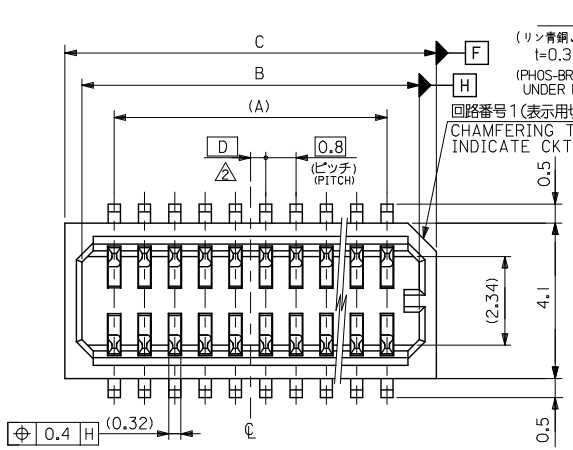
32	37.4	33.4	18.1	16.3	53364-4070	40
24	29.4	25.4	16.5	14.7	53364-3670	36
			14.1	12.3	53364-3070	30
			13.3	11.5	53364-2870	28
			10.1	8.3	53364-2070	20

53364-**-70	キャリアテープ幅	D	C	(B)	(A)	MATERIAL NO.	極致
MODEL NO.	CARRIER TAPE WIDTH						CIRCUIT
		材料 MATERIAL		MOLEX-JAPAN CO.,LTD.			
		SHEET 1 OF 2 参照		日本モレックス株式会社			
		仕上げ FINISH		REVISE ONLY ON CAD SYSTEM			
		適用電線範囲 WIRE RANGE		TITLE 名称			
		被覆外径 INS. RANGE		0.8 BtB Conn Wafer Assy			
				ST SMT With Boss			
				Embstp Pkg -LEAD FREE-			
				DWG. NO. (SHEET 2 OF 2) REV			
				SD-53364-002 0			

角度 ANGLE	±3°
30以上 OVER	±0.5
10以上 30未満 UNDER	±0.25
10未満 UNDER	±0.2
一般公差 GENERAL TOLERANCES	

THIS DRAWING CONTAINS INFORMATION THAT IS PROPRIETARY TO MOLEX/JAPAN AND SHOULD NOT BE USED WITHOUT WRITTEN PERMISSION  
本図面は日本モレックス(株)の所有する情報を含むもので当社の許可なく複製を禁止する。  
EN-01C(032)MXJ-32

10 9 8 7 6 5 4 3 2 1



注記 NOTES

1. 嵌合相手: 52465, 52588 シリーズ  
MATES WITH: 52465, 52588 SERIES
2. ウエハーの C から隣接するピンとの C 迄の位置を示す。  
SHOW POSITION FROM C OF WAFER TO C OF ADJACENT PINS.
3. 本製品は 53364-\*\*-27 の鉛フリー品である。  
THIS PRODUCT IS LEAD FREE OF 53364-\*\*-27.

0.4	16.2	15.3	13.6	53364-3629	36
0.8	13.8	12.9	11.2	53364-3029	30
0.4	9.8	8.9	7.2	53364-2029	20
0.8	9.0	8.1	6.4	53364-1829	18
D	C	B	A	MATERIAL. NO.	極数 CKT.

REVISED EC NO. J2016-1237 DRAWN BY SHIKAMA CHKD: Y01 TO APPR: Y01 TO	DESCRIPTION 2016/06/07 2016/06/07 2016/06/16	GENERAL TOLERANCES (UNLESS SPECIFIED)		DIMENSION STYLE		SCALE	DESIGN UNITS	THIRD ANGLE PROJECTION		
		0.25 UNDER	UNDER	±0.2	MM ONLY	10:1	METRIC	◎ □		
		0.25 OVER	0.5 UNDER	±0.2	DRAWN BY	DATE	TITLE			
		0.5 OVER	1.0 UNDER	±0.2	M. NABEI	'04/03/09	0.8 BOARD TO BOARD CONN. WAFFER ASSY ST.SMT -LEAD FREE-			
	1.0 OVER	10 UNDER	±---	CHECKED BY	DATE	DOCUMENT NO.				
	10 OVER	30 UNDER	±---	K. TOJO	'04/03/09					SD-53364-003
	30 OVER		±---	APPROVED BY	DATE	SHEET NO. 1 OF 2				
	ANGULAR	±1 °		M. SASAO	'04/03/09					THIS DRAWING CONTAINS INFORMATION THAT IS PROPRIETARY TO MOLEX ELECTRONIC TECHNOLOGIES, LLC AND SHOULD NOT BE USED WITHOUT WRITTEN PERMISSION
	DRAFT WHERE APPLICABLE MUST REMAIN WITHIN DIMENSIONS		SIZE	SEE CHART						
				A3						

9 8 7 6 5 4 3 2 1