

Excellent Integrated System Limited

Stocking Distributor

Click to view price, real time Inventory, Delivery & Lifecycle Information:

[Molex Connector Corporation](#)
[0533643071](#)

For any questions, you can email us directly:

sales@integrated-circuit.com

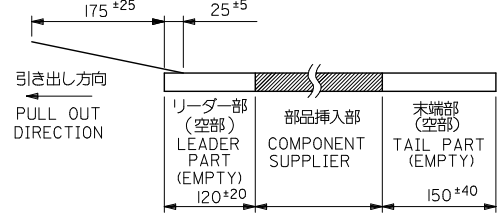
10 9 8 7 6 5 4 3 2 1

注記 NOTES

1. 梱包数量: 1000個/リール NUMBER OF CONNECTORS: 1000PCS/REEL

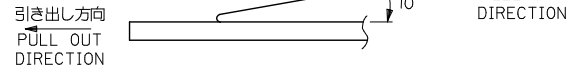
2. リードテープ長さ LEAD TAPE LENGTH

トップテープ TOP TAPE
リーダー部 LEADER PART トップテープ 未接着部 NON-BONDED PART



3. トップテープの剥離強度: (剥離方向は下図参照)
0.1N ~ 1.3N(10gf ~ 130gf) 尚、本規格値は、出荷時に適用。
(但し、輸送時に剥離が発生しない事。)

PEELING OFF FORCE OF TOP TAPE
0.1N ~ 1.3N(10gf ~ 130gf) (PEELING DIRECTION AS SHOWN IN FOLLOWING FIG.)
THIS REQUIREMENT SHOULD BE APPLIED AT SHIPMENT
PEEL OFF SHOULD NOT BE ALLOWED,
DURING TRANSPORTATION

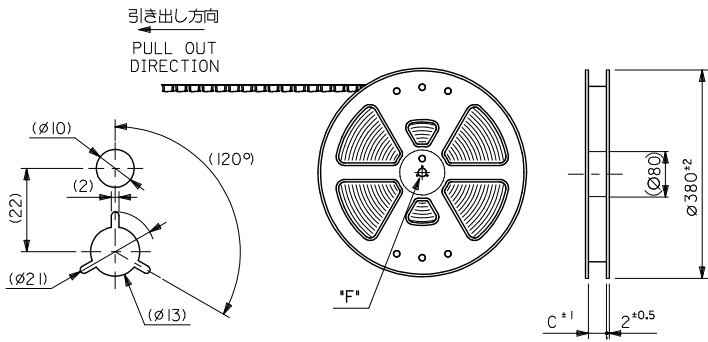


4. 材料

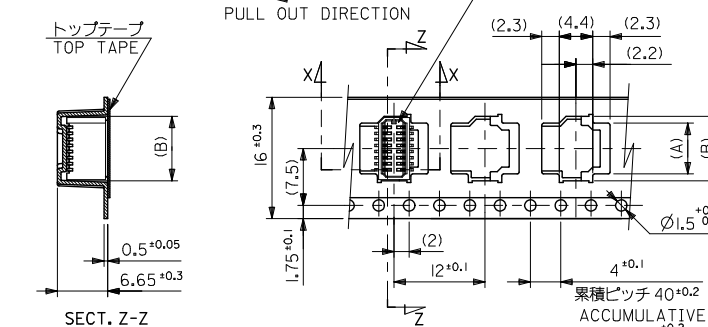
MATERIAL

キャリアテープ: ポリプロピレン (PP) CARRIER TAPE: POLYPROPYLENE
トップテープ: PET, PE, PEF TOP TAPE: PET, PE, PEF
リール: ポリスチレン (PS) REEL: POLYSTYRENE(PS)
<リサイクル材を含む> <RECYCLE MATERIAL CONTAINED>

5. 本製品は 53364-**91 の鉛フリー品である。
THIS PRODUCT IS LEAD FREE OF 53364-**91.

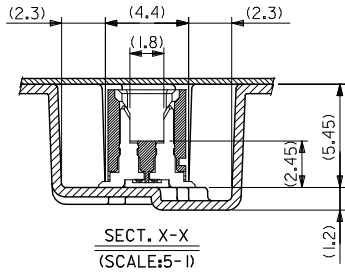


DETAIL "F"



SECT. Z-Z

16mm幅キャリアテープ
16mm WIDTH CARRIER TAPE



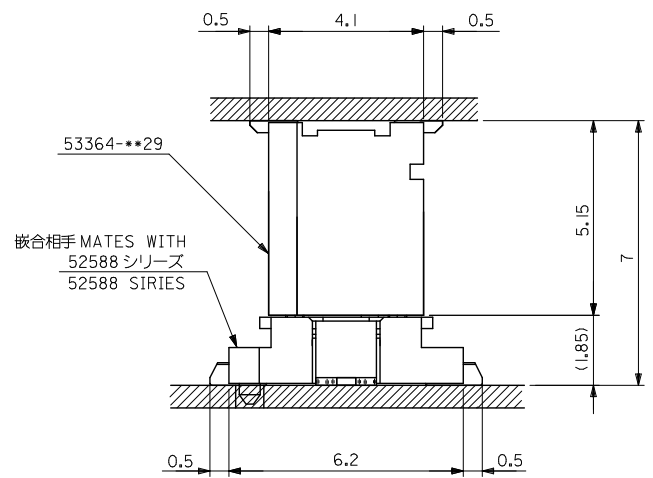
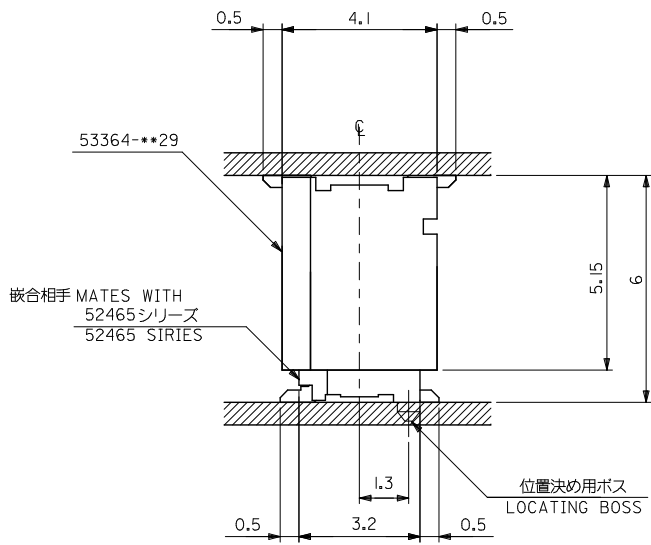
SECT. X-X
(SCALE: 5-1)

16	17.5	9.3	7.5	53364-1871	18
キャリアテープ幅 CARRIER TAPE WIDTH	C	(B)	(A)	MATERIAL. NO.	極致 CIRCUIT
SCALE ---		DESIGN UNITS METRIC	THIRD ANGLE PROJECTION		

REVISED IEC NO. J2016-0873 DRAWN: 2016/02/12 CHIKI: 2016/02/25 APPROV: 2016/02/29 A	GENERAL TOLERANCES (UNLESS SPECIFIED)		DIMENSION STYLE MM ONLY		TITLE 0.8 BTB CONN WAFER ASSY ST SMT WITHOUT BOSS -LEAD FREE- molex DOCUMENT NO. SD-53364-**71 SHEET NO. 1 OF 2	
	0.25 UNDER	UNDER	±0.03	DRAWN BY		DATE
	0.25 OVER	0.5 UNDER	±0.05	MINOMIYA		2003/12/11
	0.5 OVER	1.0 UNDER	±0.1	CHECKED BY		DATE
	1.0 OVER	10 UNDER	±0.20	KTOJO		2003/12/11
10 OVER	30 UNDER	±0.25	APPROVED BY		DATE	
30 OVER		±0.30	MATERIAL NO.			
ANGULAR		±1 °	SEE CHART			
DRAFT WHERE APPLICABLE MUST REMAIN WITHIN DIMENSIONS			SIZE A3	THIS DRAWING CONTAINS INFORMATION THAT IS PROPRIETARY TO MOLEX ELECTRONIC TECHNOLOGIES, LLC AND SHOULD NOT BE USED WITHOUT WRITTEN PERMISSION		

9 8 7 6 5 4 3 2 1

10 9 8 7 6 5 4 3 2 1



嵌合状態図 (参考)
MATED DRAWING (REF.)

REVISED EC NO. J2016-1237 DRAWN BY SHIKAMA CHKD: Y. ITO APPR: Y. ITO 2016/06/08 2016/06/08 2016/06/16	GENERAL TOLERANCES (UNLESS SPECIFIED)			DIMENSION STYLE MM ONLY		SCALE	DESIGN UNITS METRIC	THIRD ANGLE PROJECTION
	0.25 UNDER	UNDER	±---	DRAWN BY	DATE	TITLE 0.8 BOARD TO BOARD CONN. WAFER ASSY ST. SMT -LEAD FREE-		DOCUMENT NO. SD-53364-003
	0.25 OVER	0.5 UNDER	±---	M. NINOMIYA	'03/12/11			
	0.5 OVER	1.0 UNDER	±---	K. TOJO	'03/12/11			
	1.0 OVER	10 UNDER	±---	APPROVED BY	DATE	SHEET NO. 2 OF 2		
	10 OVER	30 UNDER	±---	M. SASAO	'03/12/11			
30 OVER		±---	MATERIAL NO.	SEE SHEET 1				
ANGULAR	±--- °		SIZE A3		THIS DRAWING CONTAINS INFORMATION THAT IS PROPRIETARY TO MOLEX ELECTRONIC TECHNOLOGIES, LLC AND SHOULD NOT BE USED WITHOUT WRITTEN PERMISSION			
DRAFT WHERE APPLICABLE MUST REMAIN WITHIN DIMENSIONS								

9 8 7 6 5 4 3 2 1