



Distributor of Molex Connector Corporation: Excellent Integrated System Limited

Datasheet of 0535210240 - 7.92 WAFER ASSY W/LOCK 2CKT

Contact us: [sales@integrated-circuit.com](mailto:sales@integrated-circuit.com) Website: [www.integrated-circuit.com](http://www.integrated-circuit.com)

---

## Excellent Integrated System Limited

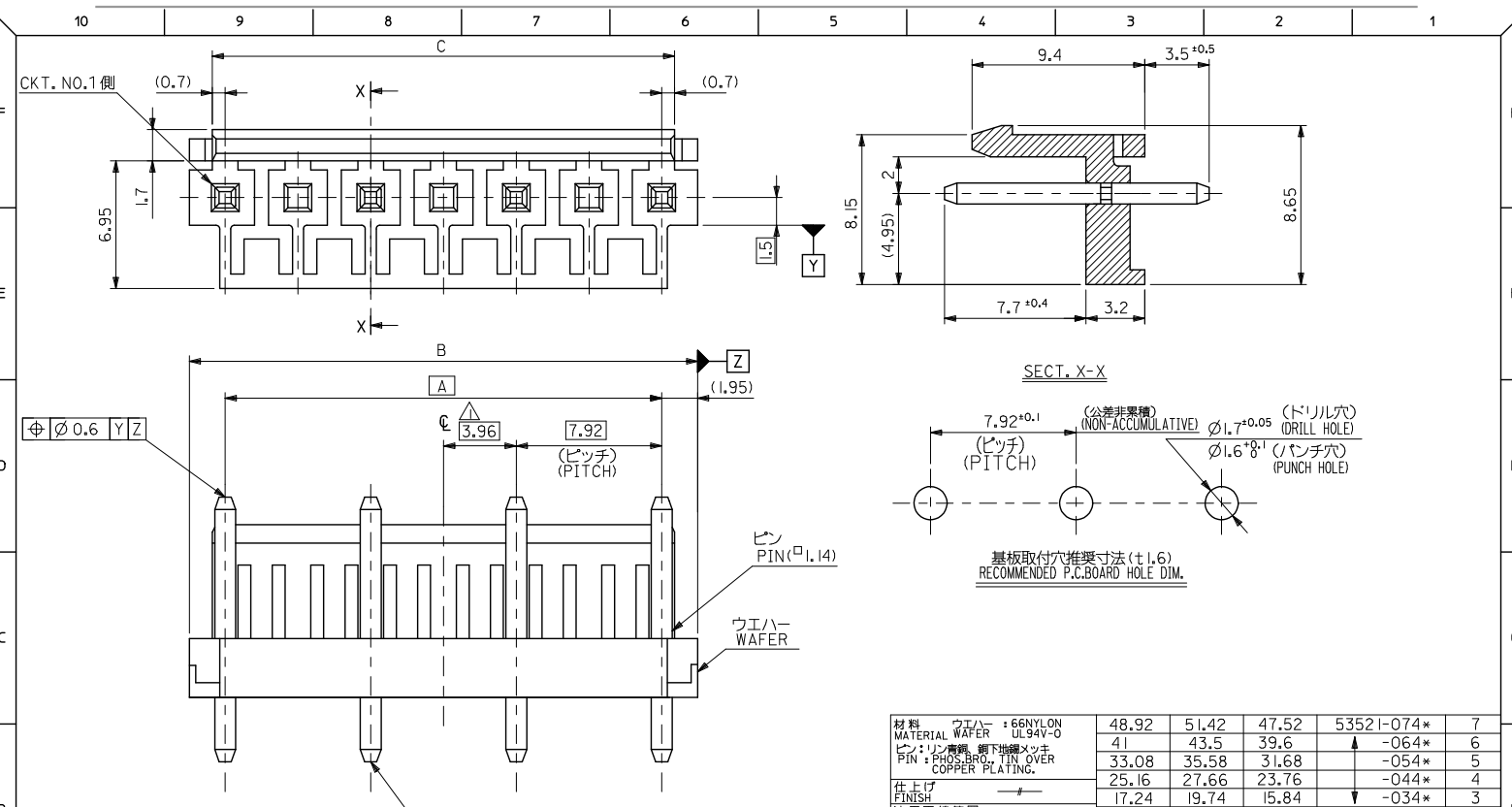
Stocking Distributor

Click to view price, real time Inventory, Delivery & Lifecycle Information:

[Molex Connector Corporation](#)  
[0535210240](#)

For any questions, you can email us directly:

[sales@integrated-circuit.com](mailto:sales@integrated-circuit.com)



材料	ウエハー : 66NYLON	48.92	51.42	47.52	53521-074*	7
MATERIAL	ウエハー : UL94V-0	41	43.5	39.6	▲ -064*	6
ピン	リン青銅 銅下地メッキ	33.08	35.58	31.68	▲ -054*	5
PIN	PHOS.BRO. TIN OVER COPPER PLATING.	25.16	27.66	23.76	▲ -044*	4
仕上げ	—	17.24	19.74	15.84	▼ -034*	3
FINISH	—	9.32	11.82	7.92	53521-024*	2
適用電線範囲	—					2
WIRE RANGE	—					
被覆外径	—					
INS. RANGE	—					

注記  
NOTES

△ 偶数極品に適用。  
APPLIES ONLY TO EVEN NO. CKT. SIZES.

2. 嵌合相手 : 51144 シリーズ  
MATES WITH : 51144 SERIES.

3. 製品型番の下一桁は色を表します。  
LAST DIGIT OF PART NUMBER INDICATES COLOR.  
0:白 WHITE 1:黒 BLACK 2:赤 RED 3:黄 YELLOW 4:青 BLUE  
5:灰 GRAY 6:緑 GREEN 7:茶 BROWN 8:橙 ORANGE 9:桃 PINK

REVISED EC NO. J2016-0406 DRAWN/MATSUYAMA 2015/10/20 CHKD/KASAKAWA 2015/10/20 APPR./UKITA 2015/10/26	GENERAL TOLERANCES (UNLESS SPECIFIED)		DIMENSION STYLE MM ONLY		SCALE ---	DESIGN UNITS METRIC	THIRD ANGLE PROJECTION
	0.25 UNDER	UNDER ±0.03	DRAWN BY	DATE	TITLE		
	0.25 OVER	0.5 UNDER ±0.05	C. ARIZONO	2009/04/07	7.92 WAFER WITH LOCK -LEAD FREE-		
	0.5 OVER	1.0 UNDER ±0.1	CHECKED BY	DATE	DOCUMENT NO. SD-53521-001		
	1.0 OVER	10 UNDER ±0.2	T. HARUYAMA	2009/04/07			
10 OVER	30 UNDER ±0.25	APPROVED BY	DATE	SHEET NO. 1 OF 2			
30 OVER	±0.3	N. UKITA	2009/04/07	MATERIAL NO.			
ANGULAR	±3°	SEE TABLE		THIS DRAWING CONTAINS INFORMATION THAT IS PROPRIETARY TO MOLEX INCORPORATED AND SHOULD NOT BE USED WITHOUT WRITTEN PERMISSION			
DRAFT WHERE APPLICABLE MUST REMAIN WITHIN DIMENSIONS		SIZE	A3				

10 9 8 7 6 5 4 3 2 1

										53521-0740	7	
										53521-0640	6	
									53521-0542	53521-0540	5	
							53521-0443	53521-0442	53521-0441	53521-0440	4	
			53521-0346		53521-0344	53521-0343	53521-0342	53521-0341	53521-0340	53521-0340	3	
53521-0249	53521-0248	53521-0247	53521-0246	53521-0245	53521-0244	53521-0243	53521-0242	53521-0241	53521-0240	53521-0240	2	
53521-***49 COLOR : PINK	53521-***48 COLOR : ORANGE	53521-***47 COLOR : BROWN	53521-***46 COLOR : GREEN	53521-***45 COLOR : GRAY	53521-***44 COLOR : BLUE	53521-***43 COLOR : YELLOW	53521-***42 COLOR : RED	53521-***41 COLOR : BLACK	53521-***40 COLOR : WHITE		極数 NO. OF CKTS.	
PLASTIC BAG						PLASTIC BAG						
ORDER No. オ-ダー番号						ORDER No. オ-ダー番号						

MODEL NO. 53521-***4*										
GENERAL TOLERANCES (UNLESS SPECIFIED)				DIMENSION STYLE				SCALE	DESIGN UNITS	THIRD ANGLE PROJECTION
				MM ONLY				---	METRIC	
0.25 UNDER UNDER ±0.03				DRAWN BY DATE				TITLE		
0.25 OVER 0.5 UNDER ±0.05				C. ARIZONO 2009/04/07				7.92 WAFER WITH LOCK		
0.5 OVER 1.0 UNDER ±0.1				CHECKED BY DATE				-LEAD FREE-		
1.0 OVER 10 UNDER ±0.2				T. HARUYAMA 2009/04/07						
10 OVER 30 UNDER ±0.25				APPROVED BY DATE						
30 OVER ±0.3				N. UKITA 2009/04/07						
ANGULAR ±3 °				MATERIAL NO.				DOCUMENT NO.		
DRAFT WHERE APPLICABLE MUST REMAIN WITHIN DIMENSIONS				SEE TABLE				SD-53521-001		
				SIZE				THIS DRAWING CONTAINS INFORMATION THAT IS PROPRIETARY TO MOLEX INCORPORATED AND SHOULD NOT BE USED WITHOUT WRITTEN PERMISSION		

9 8 7 6 5 4 3 2 1