

Excellent Integrated System Limited

Stocking Distributor

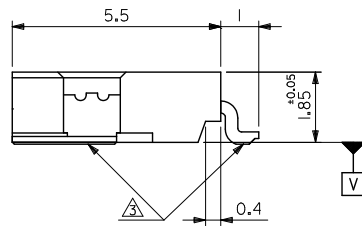
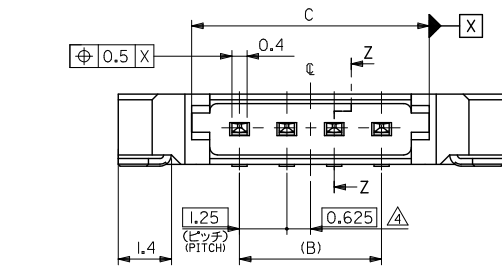
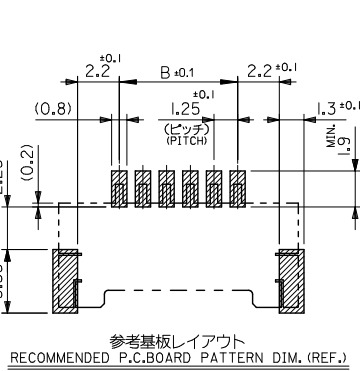
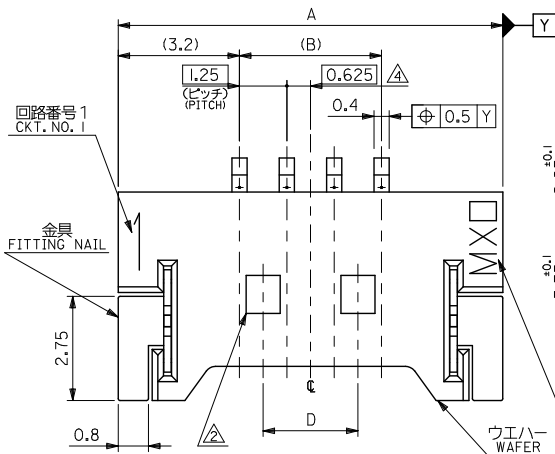
Click to view price, real time Inventory, Delivery & Lifecycle Information:

[Molex Connector Corporation](#)
[0537801870](#)

For any questions, you can email us directly:

sales@integrated-circuit.com

10 9 8 7 6 5 4 3 2 1



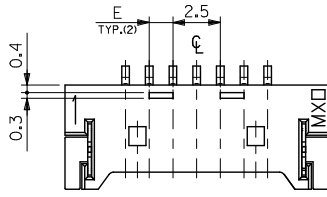
注記 NOTES

1. 嵌合相手: 51146 シリーズ
MATES WITH: 51146 SERIES
2. ロック窓は2、3極品は1箇所、4極品以上は2箇所とする。
LOCKING WINDOW: ONE PLACE FOR 2 AND 3 CIRCUIT PRODUCTS AND TWO PLACES FOR MORE THAN 3 CIRCUIT PRODUCTS.
3. 基準面 V からソルダーテールと金具の半田付け面のズレ量は、上方向に 0.05MAX、下方向 0.15MAX、とし、20 極以下の相互のパラッキ量は 0.1MAX、とする。
MISALIGNMENT OF SOLDER TAIL AND FITTING NAIL FROM V: UPPER DIRECTION 0.05MAX, LOWER DIRECTION 0.15MAX, OFFSET BETWEEN UPPER AND LOWER 0.1MAX. (UNDER 20 CKTS.)
4. 偶数極の製品に適用。
APPLY EVEN CIRCUIT PRODUCTS.
5. 材質 MATERIAL
ウエハー WAFER: PPS, UL94V-0
ピン: リン青銅 PIN: PHOSPHOR BRONZE
コンタクト部: 金メッキ 0.2 マイクロメートル以上
CONTACT AREA: GOLD 0.2 MICROMETER MINIMUM
テール部: 錫メッキ 3.0 マイクロメートル以上
TAIL AREA: TIN 3.0 MICROMETER MINIMUM
下地メッキ: ニッケルメッキ 1.0 マイクロメートル以上
UNDER PLATING: NICKEL 1.0 MICROMETER MINIMUM
金具: リン青銅 FITTING NAIL: PHOSPHOR BRONZE
錫メッキ 3.0 マイクロメートル以上
TIN 3.0 MICROMETER MINIMUM
下地メッキ: ニッケルメッキ 1.0 マイクロメートル以上
UNDER PLATING: NICKEL 1.0 MICROMETER MINIMUM
6. 本製品は 53780-**10/-**18 の鉛フリー品である。
THIS PRODUCT IS LEAD FREE OF 53780-**10/-**18.
7. ELV 及び RoHS 適合品
ELV & RoHS COMPLIANT.

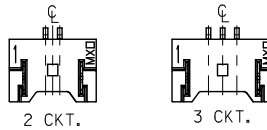
| | | | | | | |
|-------|-------|-------|-------|-------|--------------------------|------------------|
| 16.25 | 22.5 | 38.77 | 36.25 | 42.65 | 53780-3070 | 30 |
| 8.75 | 22.5 | 26.27 | 23.75 | 30.15 | | -2070 20 |
| 7.5 | 20 | 23.77 | 21.25 | 27.65 | | -1870 18 |
| 6.25 | 16.25 | 20.02 | 17.5 | 23.9 | | -1570 15 |
| 5 | 15 | 18.77 | 16.25 | 22.65 | | -1470 14 |
| 3.75 | 12.5 | 16.27 | 13.75 | 20.15 | | -1270 12 |
| 2.5 | 10 | 13.77 | 11.25 | 17.65 | | -1070 10 |
| 2.5 | 8.75 | 12.52 | 10 | 16.4 | | -0970 9 |
| 1.25 | 7.5 | 11.27 | 8.75 | 15.15 | | -0870 8 |
| 1.25 | 6.25 | 10.02 | 7.5 | 13.9 | | -0770 7 |
| — | 5 | 8.77 | 6.25 | 12.65 | | -0670 6 |
| — | 3.75 | 7.52 | 5 | 11.4 | | -0570 5 |
| — | 2.5 | 6.27 | 3.75 | 10.15 | | -0470 4 |
| — | — | 5.02 | 2.5 | 8.9 | | -0370 3 |
| — | — | 3.77 | 1.25 | 7.65 | | -0270 2 |
| | | | | | | 53780-0270 |
| E | D | C | B | A | EMBOSSED PACKAGE CKT. 種数 | |
| | | | | | | オーダー番号 ORDER No. |

| | | | | | | |
|---|--|--------|---|--------------|----------------------------------|------------------------|
| REVISED EC NO. J2010-1927 DRAWN: SKUROSE 2010/03/25 CHKD: KASAKAWA 2010/03/26 APPR: NIKITA 2010/03/29 | GENERAL TOLERANCES (UNLESS SPECIFIED) | | DIMENSION STYLE | SCALE | DESIGN UNITS | CONNECTOR SERIES NO. |
| | 10 UNDER | ± 0.2 | MM ONLY | --- | METRIC | 53780-**19 |
| | 10 OVER 30 UNDER | ± 0.25 | | | | THIRD ANGLE PROJECTION |
| | 30 OVER | ± 0.3 | | | | |
| | ANGULAR | ± 3 ° | | | | |
| | DRAFT WHERE APPLICABLE MUST REMAIN WITHIN DIMENSIONS | | | | | |
| | | | DRAWN BY | DATE | TITLE | |
| | | | T. UENO | '04/04/15 | 1.25 W/B CONN WAFER ASSY FOR SMT | |
| | | | CHECKED BY | DATE | | |
| | | | M. SASAO | '04/04/15 | | |
| | | | APPROVED BY | DATE | | |
| | | | M. SASAO | '04/04/15 | | |
| | | | MATERIAL NO. | DOCUMENT NO. | | |
| | | | SEE CHART | SD-53780-003 | | |
| | | | THIS DRAWING CONTAINS INFORMATION THAT IS PROPRIETARY TO MOLEX INCORPORATED AND SHOULD NOT BE USED WITHOUT WRITTEN PERMISSION | | | SHEET NO. |
| | | | | | | 1 OF 2 |

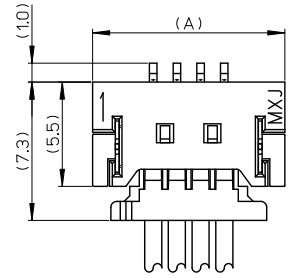
10 9 8 7 6 5 4 3 2 1



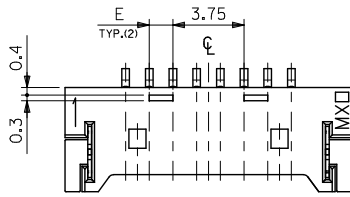
7~19極の奇数極に適用
APPLY FOR ODD CIRCUITS OF 7~19



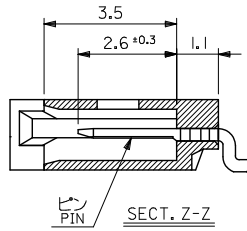
ロック形状図
LOCK CONFIGURATION



嵌合図 (SCALE 5:1)
MATED CONNECTORS (SCALE 5:1)



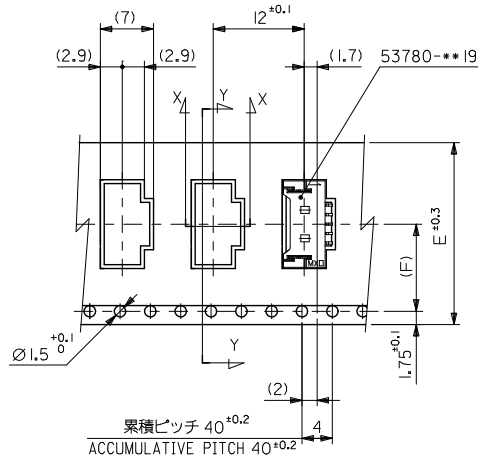
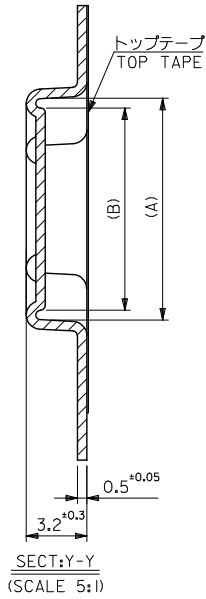
8~30極の偶数極に適用
APPLY FOR EVEN CIRCUITS OF 8~30



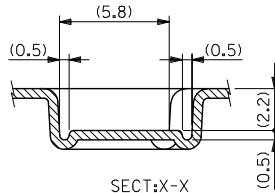
SECT. Z-Z

| | | | | | |
|--|---------------------------------------|---|----------------------------|---------------------|---|
| REVISED EC NO. J2010-1927 DRAWN:SKUROSE 2010/03/25 CHKD:KAKAWA 2010/03/26 APPR:MIKITA 2010/03/29 | GENERAL TOLERANCES (UNLESS SPECIFIED) | | DIMENSION STYLE MM ONLY | | CONNECTOR SERIES NO. 53780-***19 |
| | 10 UNDER | ± 0.2 | DRAWN BY T. UENO | DATE '04/04/15 | SCALE --- |
| | 10 OVER 30 UNDER | ± 0.25 | CHECKED BY M. SASAO | DATE '04/04/15 | DESIGN UNITS METRIC |
| | 30 OVER | ± 0.3 | APPROVED BY M. SASAO | DATE '04/04/15 | THIRD ANGLE PROJECTION |
| | ANGULAR ± 3 ° | DRAFT WHERE APPLICABLE MUST REMAIN WITHIN DIMENSIONS | | MATERIAL NO. | TITLE 1.25 W/B CONN WAFER ASSY FOR SMT |
| | | SEE CHART | | MOLEX INCORPORATED | DOCUMENT NO. SD-53780-003 |
| | | THIS DRAWING CONTAINS INFORMATION THAT IS PROPRIETARY TO MOLEX INCORPORATED AND SHOULD NOT BE USED WITHOUT WRITTEN PERMISSION | | SHEET NO. 2 OF 2 | |

10 9 8 7 6 5 4 3 2 1



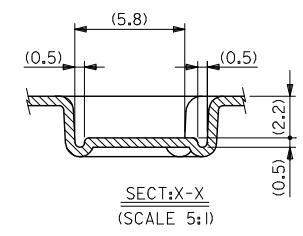
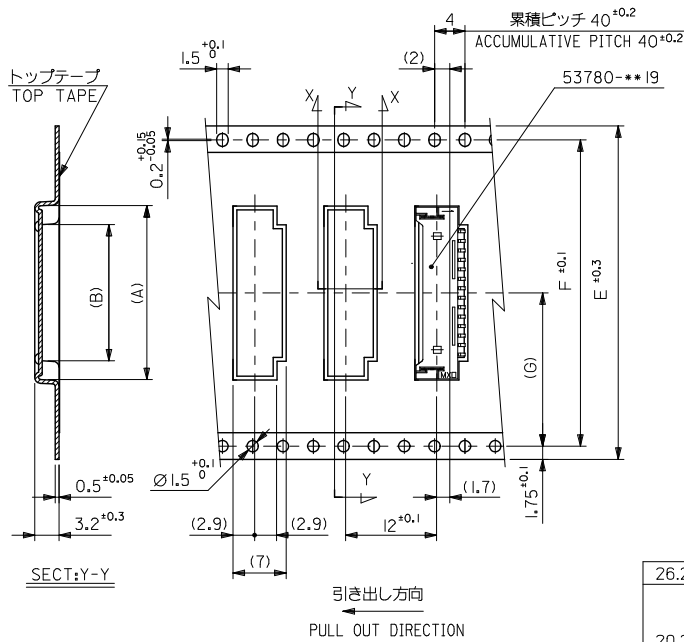
引き出し方向
PULL OUT DIRECTION



| | | | | | | | |
|--------------------|----|------|------|-------|-------|--------------|------------|
| 11.5 | 24 | 29.4 | 25.4 | 11.75 | 16.7 | 53780-0970 | 9 |
| | | | | 10.5 | 15.45 | 53780-0870 | 8 |
| | | | | 9.25 | 14.2 | 53780-0770 | 7 |
| | | | | 8 | 12.95 | 53780-0670 | 6 |
| 7.5 | 16 | 21.4 | 17.4 | 6.75 | 11.7 | 53780-0570 | 5 |
| | | | | 5.5 | 10.45 | 53780-0470 | 4 |
| | | | | 4.25 | 9.2 | 53780-0370 | 3 |
| (F) | E | D | C | 3 | 7.95 | 53780-0270 | 2 |
| CARRIER TAPE WIDTH | | | | (B) | (A) | MATERIAL NO. | 継電 CKT. |

| | | | | | | | | |
|---|---------------------------------------|-----------|--------------------|---|---------------------|------------------------|------------------|---|
| REVISED IEC NO. J2010-0021 DRAWN BY T.KASAKI 2009/07/07 CHK'D BY H.YASHI 2009/07/08 APPR'D BY M.KITA 2009/07/08 DESCRIPTION REV B | GENERAL TOLERANCES (UNLESS SPECIFIED) | | DIMENSION STYLE | SCALE | DESIGN UNITS | MODEL NO. | 53780-***70 | |
| | 10 UNDER | ± 0.2 | MM ONLY | --- | METRIC | THIRD ANGLE PROJECTION | | |
| | 10 OVER 30 UNDER | ± 0.25 | DRAWN BY T.UENO | DATE '04/04/15 | TITLE | | | 1.25 W/B WAFER ASSY EMBOSSD TAPE PACKAGE |
| | 30 OVER | ± 0.3 | CHECKED BY M.SASAO | DATE '04/04/15 | APPROVED BY M.SASAO | | | DATE '04/04/15 |
| | ANGULAR | ± 3 ° | MATERIAL NO. | | DOCUMENT NO. | | | SD-53780-004 |
| DRAFT WHERE APPLICABLE MUST REMAIN WITHIN DIMENSIONS | | SEE CHART | | THIS DRAWING CONTAINS INFORMATION THAT IS PROPRIETARY TO MOLEX INCORPORATED AND SHOULD NOT BE USED WITHOUT WRITTEN PERMISSION | | | SHEET NO. 2 OF 3 | |

10 9 8 7 6 5 4 3 2 1



| | | | | | | | | |
|------|------|----|------|------|-------|-------|--------------|------------|
| 26.2 | 52.4 | 56 | 61.4 | 57.4 | 38 | 42.95 | 53780-3070 | 30 |
| 20.2 | 40.4 | 44 | 49.4 | 45.4 | 25.5 | 30.45 | 53780-2070 | 20 |
| | | | | | 25.5 | 27.95 | 53780-1870 | 18 |
| | | | | | 19.25 | 24.2 | 53780-1570 | 15 |
| 14.2 | 28.4 | 32 | 37.4 | 33.4 | 18 | 22.95 | 53780-1470 | 14 |
| | | | | | 15.5 | 20.45 | 53780-1270 | 12 |
| (G) | F | E | D | C | (B) | (A) | MATERIAL NO. | 編成 CKT. |

| | | | | | | | |
|---|---------------------------------------|--|----------------------------|-------------------|---|------------------------------|---------------------|
| REVISED IEC NO. J2010-0021 DRAWN BY DR. N. TAKASAKI 2009/07/07 CHECKED BY CHIKO. HAYASHI 2009/07/08 APPROVED BY APRR. NUKITA 2009/07/08 | GENERAL TOLERANCES (UNLESS SPECIFIED) | | DIMENSION STYLE MM ONLY | | SCALE --- | MODEL NO. 53780-***70 | |
| | 10 UNDER | ± 0.2 | DRAWN BY T. UENO | DATE '04/04/15 | TITLE 1.25 W/B WAFER ASSY EMBOSSED TAPE PACKAGE | DESIGN UNITS METRIC | |
| | 10 OVER 30 UNDER | ± 0.25 | CHECKED BY M. SASAO | DATE '04/04/15 | THIRD ANGLE PROJECTION | | |
| | 30 OVER | ± 0.3 | APPROVED BY M. SASAO | DATE '04/04/15 | MATERIAL NO. | DOCUMENT NO. SD-53780-004 | SHEET NO. 3 OF 3 |
| | ANGULAR | ± 3 ° | SEE CHART | | MATERIAL NO. | | |
| DRAFT WHERE APPLICABLE MUST REMAIN WITHIN DIMENSIONS | | THIS DRAWING CONTAINS INFORMATION THAT IS PROPRIETARY TO MOLEX INCORPORATED AND SHOULD NOT BE USED WITHOUT WRITTEN PERMISSION | | | | | |