

## Excellent Integrated System Limited

Stocking Distributor

Click to view price, real time Inventory, Delivery & Lifecycle Information:

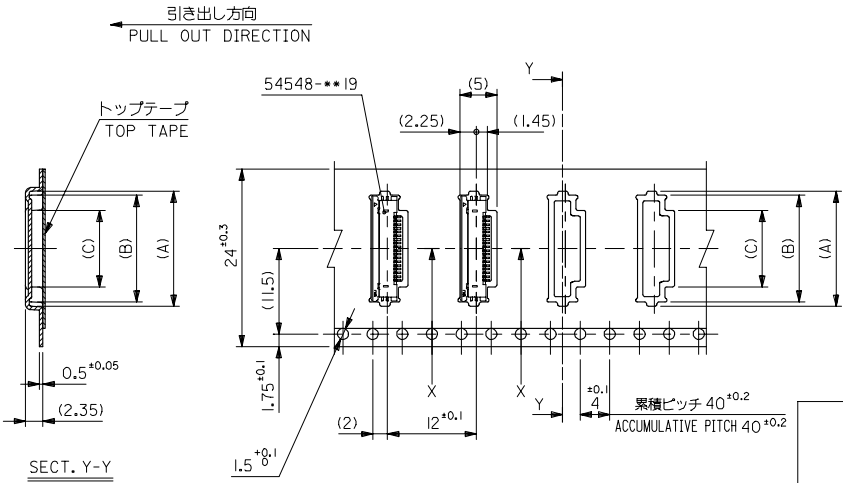
[Molex Connector Corporation](#)  
[0545481570](#)

For any questions, you can email us directly:

[sales@integrated-circuit.com](mailto:sales@integrated-circuit.com)

10 9 8 7 6 5 4 3 2 1

F  
E  
D  
C  
B  
A



24mm幅キャリアテープ  
24mm WIDTH CARRIER TAPE

24	29.4	25.4	12.3	16.4	17.5	54548-2270	22	
			11.8	15.9	17	54548-2170	21	
			11.3	15.4	16.5	54548-2070	20	
			10.8	14.9	16	54548-1970	19	
			10.3	14.4	15.5	54548-1870	18	
			9.8	13.9	15	54548-1770	17	
			9.3	13.4	14.5	54548-1670	16	
			8.8	12.9	14	54548-1570	15	
			8.3	12.4	13.5	54548-1470	14	
			7.8	11.9	13	54548-1370	13	
			7.3	11.4	12.5	54548-1270	12	
			6.8	10.9	12	54548-1170	11	
			6.3	10.4	11.5	54548-1070	10	
			5.8	9.9	11	54548-0970	9	
			5.3	9.4	10.5	54548-0870	8	
4.8	8.9	10	54548-0770	7				
キャリアテープ幅 CARRIER TAPE WIDTH		E	D	(C)	(B)	(A)	製品番号 MATERIAL No.	種数 CIRCUIT

REVISED EC NO: J2005-2516 DRAWN BY: DRW:MMBEI CHKD BY: CHK:K10YODA APPR: NIKITA DATE: 2005/02/28 DATE: 2005/02/28 DATE: 2005/03/07	GENERAL TOLERANCES (UNLESS SPECIFIED)		DIMENSION STYLE MM ONLY		SCALE 2:1	DESIGN UNITS METRIC	THIRD ANGLE PROJECTION
	10 UNDER	± 0.2	DRAWN BY Y. WADA	DATE 2004/01/09	TITLE EMBSTP PKG FOR 0.5 FPC CONN ZIF HSG ASSY -LEAD FREE-		
	10 OVER 30 UNDER	± 0.25	CHECKED BY M. SASAO	DATE 2004/01/09	MATERIAL NO. SD-54548-038		
	30 OVER	± 0.3	APPROVED BY M. SASAO	DATE 2004/01/09	DOCUMENT NO. SD-54548-038		
	ANGULAR	± 3 °	DRAFT WHERE APPLICABLE MUST REMAIN WITHIN DIMENSIONS		SHEET NO. 3 OF 4		

10 9 8 7 6 5 4 3 2 1

F

E

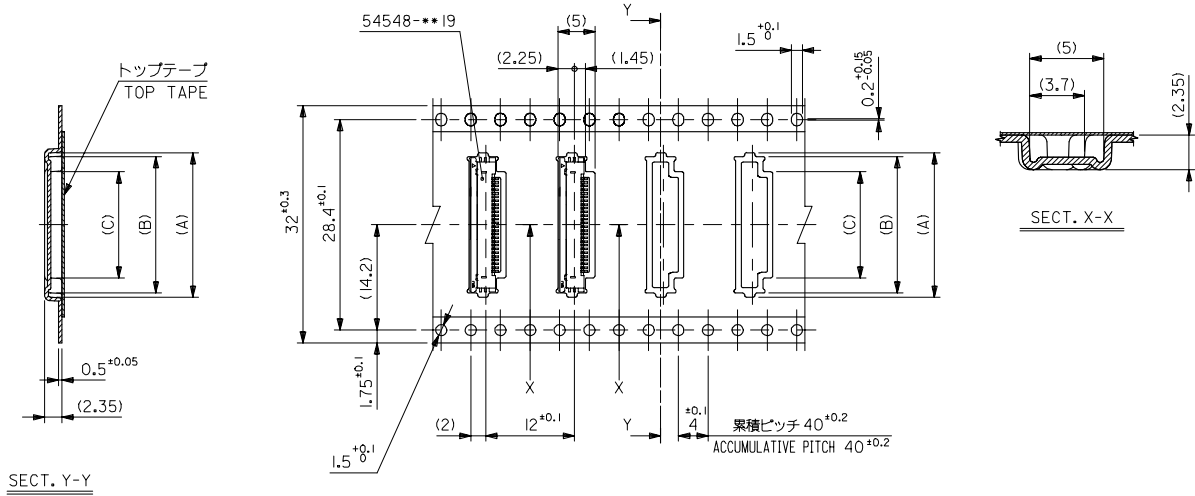
D

C

B

A

引き出し方向  
PULL OUT DIRECTION



32mm幅キャリアテープ  
32mm WIDTH CARRIER TAPE

32	37.4	33.4	14.3	18.4	19.5	54548-2670	26
キャリアテープ幅 CARRIER TAPE WIDTH	E	D	(C)	(B)	(A)	製品番号 MATERIAL No.	極数 CIRCUIT
						54548-***70	MODEL NO.

REVISED E.C. NO.: J2005-2516 DRAWN: MABEI 2005/02/28 CHECKED: OYODA 2005/02/28 APPROVED: NIKITA 2005/03/07 REVISION DESCRIPTION 10 UNDER ±0.2 10 OVER 30 UNDER ±0.25 30 OVER ±0.3 ANGULAR ±3° DRAFT WHERE APPLICABLE MUST REMAIN WITHIN DIMENSIONS	GENERAL TOLERANCES (UNLESS SPECIFIED)		DIMENSION STYLE MM ONLY		SCALE 2:1	DESIGN UNITS METRIC	THIRD ANGLE PROJECTION
	DRAWN BY Y. WADA		DATE 2004/01/09		TITLE EMBSTP PKG FOR 0.5 FPC CONN ZIF HSG ASSY -LEAD FREE- MOLEX INCORPORATED		
	CHECKED BY M. SASAO		DATE 2004/01/09				
	APPROVED BY M. SASAO		DATE 2004/01/09		DOCUMENT NO. SD-54548-038		
MATERIAL NO. SEE CHART				THIS DRAWING CONTAINS INFORMATION THAT IS PROPRIETARY TO MOLEX INCORPORATED AND SHOULD NOT BE USED WITHOUT WRITTEN PERMISSION			