

Excellent Integrated System Limited

Stocking Distributor

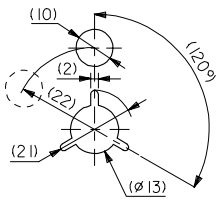
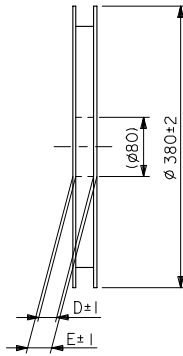
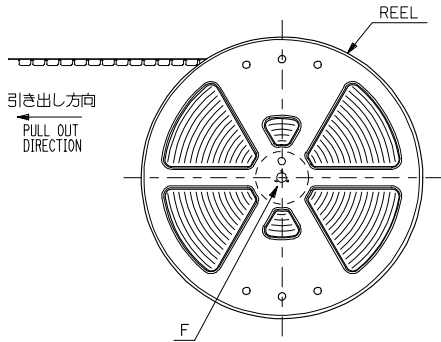
Click to view price, real time Inventory, Delivery & Lifecycle Information:

[Molex Connector Corporation](#)
[0545482270](#)

For any questions, you can email us directly:

sales@integrated-circuit.com

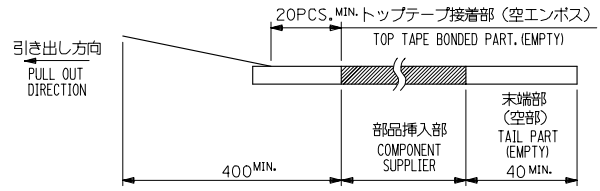
10 9 8 7 6 5 4 3 2 1



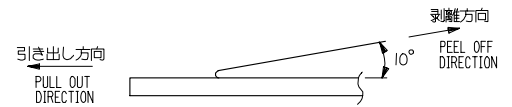
DETAIL F

NOTES

- 製品詳細寸法については図面 SD-54548-037 を参照下さい。
RE: DETAILED DIMENSION, SEE SD-54548-037.
- 梱包数量: 3000個/リール
NUMBER OF CONNECTORS: 3000PCS/REEL
- リードテープ長さ LEAD TAPE LENGTH



- トップテープの剥離強度: 0.1N ~ 1.3N { 10gf ~ 130gf }
(剥離方向は下図参照)
尚、本規格値は出荷時に適用。(但し、輸送時に剥離が発生しないこと。)
PEELING OFF FORCE OF TOP TAPE: 0.1N ~ 1.3N { 10gf ~ 130gf }
(PEELING DIRECTION AS SHOWN IN FOLLOWING FIG.)
THIS REQUIREMENT SHOULD BE APPLIED AT SHIPMENT.
PEEL OFF SHOULD NOT BE ALLOWED, DURING TRANSPORTATION.



- 材料 (MATERIAL)
キャリアテープ (CARRIER TAPE): ポリプロピレン (POLYPROPYLENE)
トップテープ (TOPTAPE): PET, PE, PEF
リール (REEL): ポリスチレン (PS) <リサイクル材を含む>
POLYSTYRENE (PS) <RECYCLE MATERIAL CONTAINED>
- 本製品は 54548-**-90 の鉛フリー品である。
THIS PRODUCT IS LEAD FREE OF 54548-**-90.

REVISED EC NO: J2005-2516 DRAWN BY: DR. WAKABE CHKD BY: CHIKKI TOYODA APPR: NIKITA DATE: 2005/02/28 2005/03/07	GENERAL TOLERANCES (UNLESS SPECIFIED)		DIMENSION STYLE MM ONLY		SCALE ---	DESIGN UNITS METRIC	MODEL NO.
	10 UNDER	±0.2	DRAWN BY Y. WADA	DATE 2004/01/09	TITLE EMBSTP PKG FOR 0.5 FPC CONN ZIF HSG ASSY -LEAD FREE-		
	10 OVER 30 UNDER	±0.25	CHECKED BY M. SASAO	DATE 2004/01/09	MATERIAL NO. SEE CHART		
	30 OVER	±0.3	APPROVED BY M. SASAO	DATE 2004/01/09	DOCUMENT NO. SD-54548-038		
	ANGULAR	±3°	MATERIAL NO. SEE CHART		SHEET NO. 1 OF 4		
	DRAFT WHERE APPLICABLE MUST REMAIN WITHIN DIMENSIONS		SIZE A3 THIS DRAWING CONTAINS INFORMATION THAT IS PROPRIETARY TO MOLEX INCORPORATED AND SHOULD NOT BE USED WITHOUT WRITTEN PERMISSION				

10 9 8 7 6 5 4 3 2 1

F

E

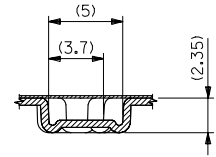
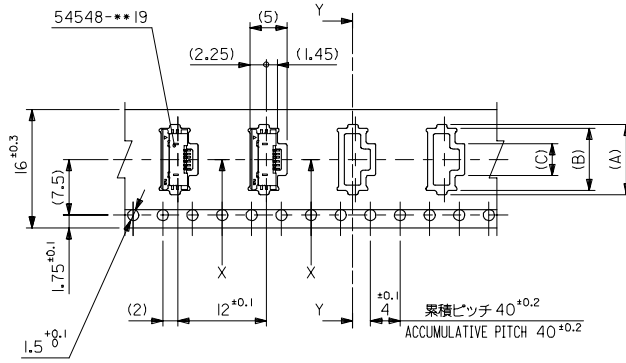
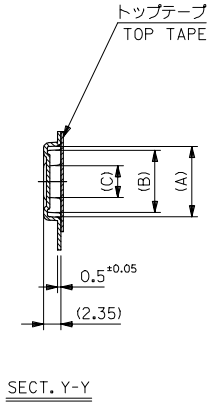
D

C

B

A

引き出し方向
PULL OUT DIRECTION



16	21.4	17.4	4.3	8.4	9.5	54548-0670	6
			3.8	7.9	9	54548-0570	5
キャリアテープ幅 CARRIER TAPE WIDTH			E	D	(C)	(B)	(A)
						製品番号 MATERIAL No.	極数 CIRCUIT
						54548-***70	MODEL NO.

REVISED E.C. NO. J2005-2516 DRAWN: MABEI 2005/02/28 CHECKED: OYODA 2005/02/28 APPR: NIKITA 2005/03/07 REVISION DESCRIPTION 10 UNDER ±0.2 10 OVER 30 UNDER ±0.25 30 OVER ±0.3 ANGULAR ±3 ° DRAFT WHERE APPLICABLE MUST REMAIN WITHIN DIMENSIONS	GENERAL TOLERANCES (UNLESS SPECIFIED)	DIMENSION STYLE MM ONLY	SCALE 2:1	DESIGN UNITS METRIC	THIRD ANGLE PROJECTION	
	DRAWN BY Y. WADA DATE 2004/01/09	CHECKED BY M. SASAO DATE 2004/01/09	APPROVED BY M. SASAO DATE 2004/01/09	TITLE EMBSTP PKG FOR 0.5 FPC CONN ZIF HSG ASSY -LEAD FREE-		
	MATERIAL NO. SEE CHART			MOLEX INCORPORATED DOCUMENT NO. SD-54548-038		
	SIZE A3			THIS DRAWING CONTAINS INFORMATION THAT IS PROPRIETARY TO MOLEX INCORPORATED AND SHOULD NOT BE USED WITHOUT WRITTEN PERMISSION		
						SHEET NO. 2 OF 4

9

8

7

6

5

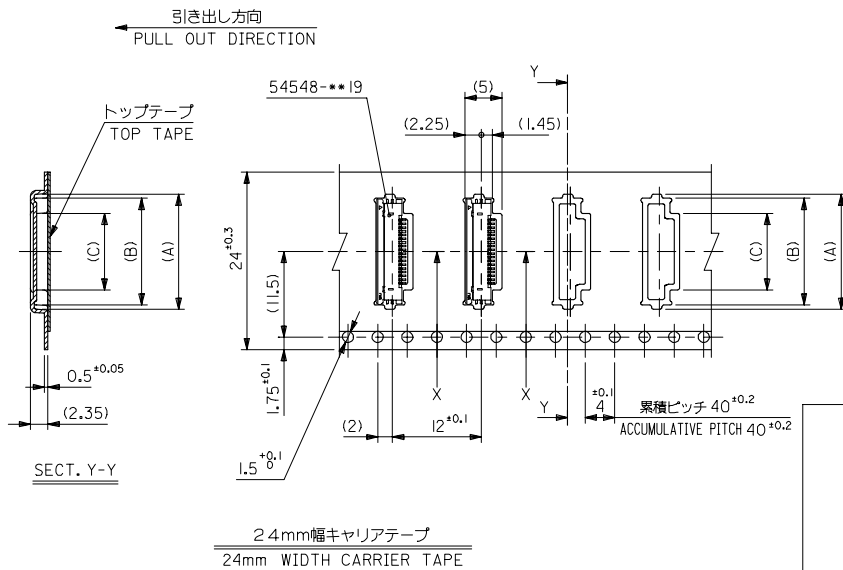
4

3

2

10 9 8 7 6 5 4 3 2 1

F
E
D
C
B
A



24	29.4	25.4	12.3	16.4	17.5	54548-2270	22
			11.8	15.9	17	54548-2170	21
			11.3	15.4	16.5	54548-2070	20
			10.8	14.9	16	54548-1970	19
			10.3	14.4	15.5	54548-1870	18
			9.8	13.9	15	54548-1770	17
			9.3	13.4	14.5	54548-1670	16
			8.8	12.9	14	54548-1570	15
			8.3	12.4	13.5	54548-1470	14
			7.8	11.9	13	54548-1370	13
			7.3	11.4	12.5	54548-1270	12
			6.8	10.9	12	54548-1170	11
			6.3	10.4	11.5	54548-1070	10
			5.8	9.9	11	54548-0970	9
5.3	9.4	10.5	54548-0870	8			
4.8	8.9	10	54548-0770	7			
キャリアテープ幅 CARRIER TAPE WIDTH			(C)	(B)	(A)	製品番号 MATERIAL No.	種数 CIRCUIT

REVISED EC NO: J2005-2516 DRAWN BY: DR:MMWBEI CHKD BY: CHIKDKIYOUDA APPR: NIKITA DATE: 2005/02/28 2005/02/28 2005/03/07	GENERAL TOLERANCES (UNLESS SPECIFIED)		DIMENSION STYLE MM ONLY	SCALE 2:1	DESIGN UNITS METRIC	THIRD ANGLE PROJECTION	MODEL NO. 54548-***70
	10 UNDER	±0.2	DRAWN BY Y.WADA	DATE 2004/01/09	TITLE EMBSTP PKG FOR 0.5 FPC CONN ZIF HSG ASSY -LEAD FREE-		
	10 OVER 30 UNDER	±0.25	CHECKED BY M.SASAO	DATE 2004/01/09	MOLEX INCORPORATED		
	30 OVER	±0.3	APPROVED BY M.SASAO	DATE 2004/01/09	MATERIAL NO. SEE CHART	DOCUMENT NO. SD-54548-038	SHEET NO. 3 OF 4
	ANGULAR	±3°	DRAFT WHERE APPLICABLE MUST REMAIN WITHIN DIMENSIONS				
	SIZE A3 THIS DRAWING CONTAINS INFORMATION THAT IS PROPRIETARY TO MOLEX INCORPORATED AND SHOULD NOT BE USED WITHOUT WRITTEN PERMISSION						

10 9 8 7 6 5 4 3 2 1

F

E

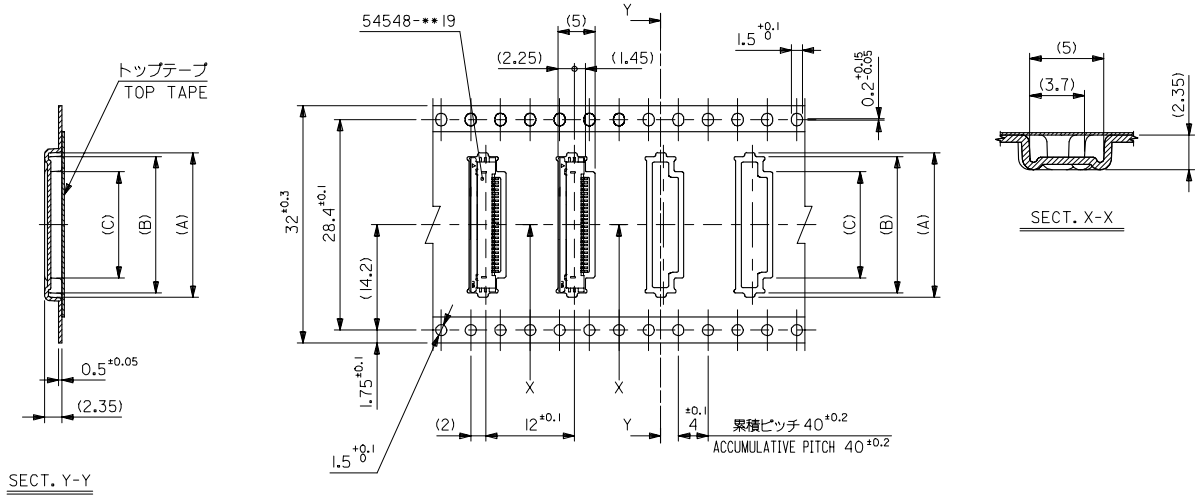
D

C

B

A

引き出し方向
PULL OUT DIRECTION



32mm幅キャリアテープ
32mm WIDTH CARRIER TAPE

32	37.4	33.4	14.3	18.4	19.5	54548-2670	26
キャリアテープ幅 CARRIER TAPE WIDTH	E	D	(C)	(B)	(A)	製品番号 MATERIAL No.	極数 CIRCUIT
						54548-xx70	MODEL NO.

REVISED E.C. NO.: J2005-2516 DRAWN BY: DR. WADA CHECKED BY: M. SASAO APPR.: NIKITA DATE: 2005/02/28 DATE: 2005/03/07 DATE: 2005/03/07	GENERAL TOLERANCES (UNLESS SPECIFIED)		DIMENSION STYLE MM ONLY	SCALE 2:1	DESIGN UNITS METRIC	THIRD ANGLE PROJECTION
	10 UNDER	± 0.2	DRAWN BY Y. WADA	DATE 2004/01/09	TITLE EMBSTP PKG FOR 0.5 FPC CONN ZIF HSG ASSY -LEAD FREE- MOLEX INCORPORATED DOCUMENT NO. SD-54548-038	
	10 OVER 30 UNDER	± 0.25	CHECKED BY M. SASAO	DATE 2004/01/09		
	30 OVER	± 0.3	APPROVED BY M. SASAO	DATE 2004/01/09		
ANGULAR	± 3 °	MATERIAL NO. SEE CHART		SHEET NO. 4 OF 4		
DRAFT WHERE APPLICABLE MUST REMAIN WITHIN DIMENSIONS		SIZE THIS DRAWING CONTAINS INFORMATION THAT IS PROPRIETARY TO MOLEX INCORPORATED AND SHOULD NOT BE USED WITHOUT WRITTEN PERMISSION				