

## Excellent Integrated System Limited

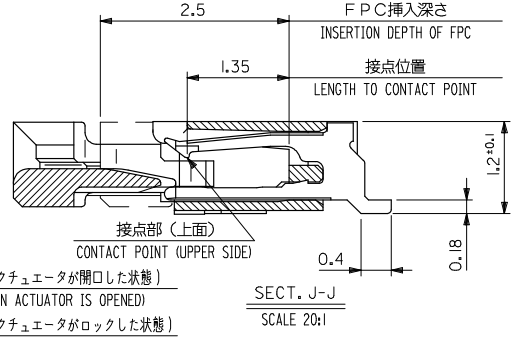
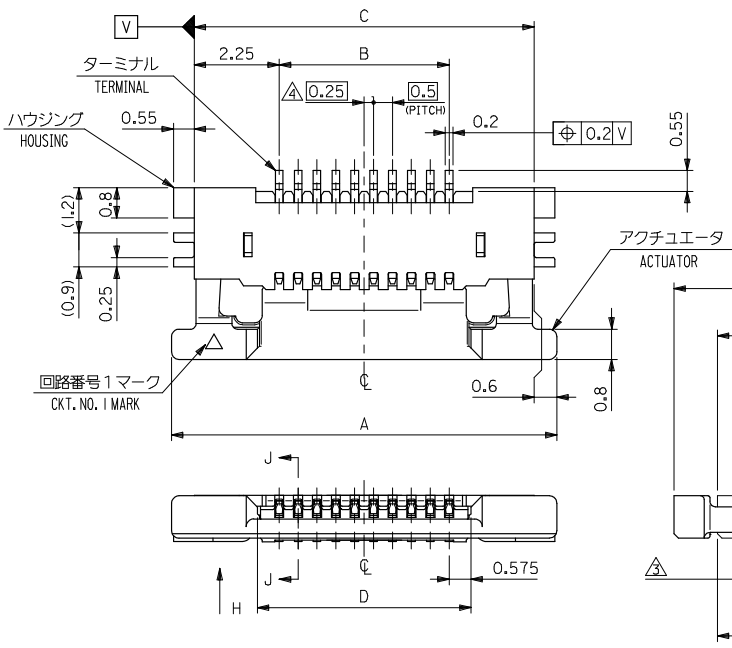
Stocking Distributor

Click to view price, real time Inventory, Delivery & Lifecycle Information:

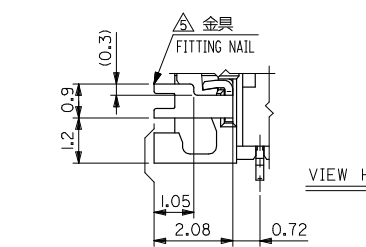
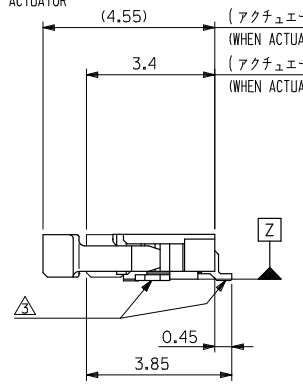
[Molex Connector Corporation](#)  
[0545501394](#)

For any questions, you can email us directly:

[sales@integrated-circuit.com](mailto:sales@integrated-circuit.com)

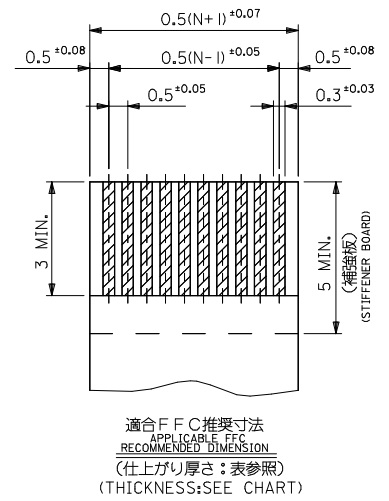
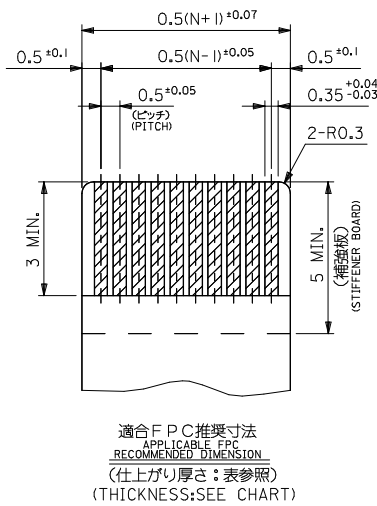
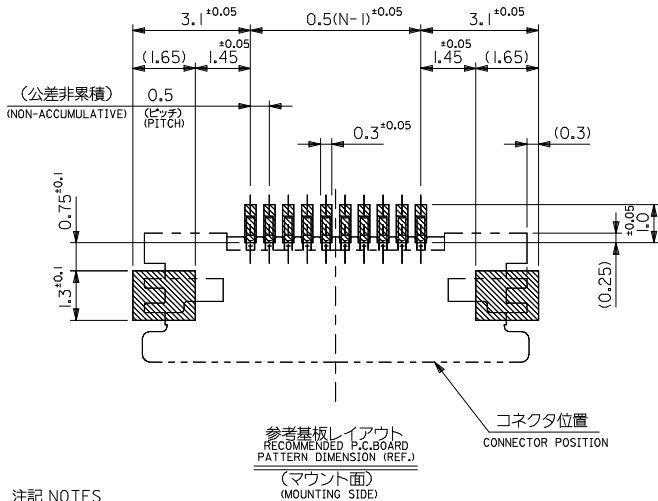


SECT. J-J  
SCALE 20:1



0.28 <sup>+0.03</sup>	13.65	17	12.5	18.2	54550-2694	54550-2619	26
	13.15	16.5	12.0	17.7	54550-2594	54550-2519	25
	12.65	16	11.5	17.2	54550-2494	54550-2419	24
	11.65	15	10.5	16.2	54550-2294	54550-2219	22
	11.15	14.5	10	15.7	54550-2194	54550-2119	21
	10.65	14	9.5	15.2	54550-2094	54550-2019	20
	10.15	13.5	9	14.7	54550-1994	54550-1919	19
	9.65	13	8.5	14.2	54550-1894	54550-1819	18
	9.15	12.5	8	13.7	54550-1794	54550-1719	17
	8.65	12	7.5	13.2	54550-1694	54550-1619	16
	8.15	11.5	7	12.7	54550-1594	54550-1519	15
	7.65	11	6.5	12.2	54550-1494	54550-1419	14
	7.15	10.5	6	11.7	54550-1394	54550-1319	13
0.3 <sup>+0.03</sup>	6.65	10	5.5	11.2	54550-1294	54550-1219	12
	6.15	9.5	5	10.7	54550-1194	54550-1119	11
	5.65	9	4.5	10.2	54550-1094	54550-1019	10
	5.15	8.5	4	9.7	54550-0994	54550-0919	9
	4.65	8	3.5	9.2	54550-0894	54550-0819	8
	4.15	7.5	3	8.7	54550-0794	54550-0719	7
EMBOSSED TAPE	3.65	7	2.5	8.2	54550-0694	54550-0619	6
	3.15	6.5	2	7.7	54550-0594	54550-0519	5
	2.65	6.0	1.5	7.2	54550-0494	54550-0419	4

REVISED	EC NO: J2008-4048	2008/06/13	2008/06/16	2008/06/16	DESCRIPTION	54550-**19	MODEL No.	THICKNESS OF FPC	D	C	B	A	EMBOSSED TAPE (ORDER No. 0-0-0-0)	製品番号 (MATERIAL No.)	極致 (Ckt)	
D	DRWN: MBEI	2008/06/16	CHKD: HARUYAMA	2008/06/16	APPR: NUKITA	2008/06/16	GENERAL TOLERANCES (UNLESS SPECIFIED)	DIMENSION STYLE	MM ONLY	SCALE	---	SCALE	---	DESIGN UNITS	METRIC	THIRD ANGLE PROJECTION
							10 UNDER ±0.2	DRAWN BY	M. NINOMIYA	DATE	'03/12/22	TITLE	0.5 FPC CONN ZIF HOUSING ASSY SMT RA UPPER CONT -LEAD FREE-			
							10 OVER 30 UNDER ±0.25	CHECKED BY	K. TOJO	DATE	'03/12/22	APPROVED BY	M. SASAO	DATE	'03/12/22	MOLEX INCORPORATED
							30 OVER ±0.3	MATERIAL NO.	SEE TABLE	DOCUMENT NO.	SD-54550-019	SHEET NO.	1 OF 2			
							ANGULAR ±3 °	SIZE	A3	THIS DRAWING CONTAINS INFORMATION THAT IS PROPRIETARY TO MOLEX INCORPORATED AND SHOULD NOT BE USED WITHOUT WRITTEN PERMISSION						
							DRAFT WHERE APPLICABLE MUST REMAIN WITHIN DIMENSIONS									



注記 NOTES

I. 使用材料 MATERIAL

ハウジング : LCP, UL94V-0  
 アクチュエータ : PPS, UL94V-0  
 ターミナル : リン青銅 (t=0.2)、ニッケル下地鍍ビスマスメッキ  
 TERMINAL PHOS-BRO.TIN-BISMUTH OVER NICKEL PLATED  
 金具 : リン青銅 (t=0.2)、ニッケル下地鍍メッキ  
 FITTING NAIL PHOS-BRO.TIN OVER NICKEL PLATED

2. エンボステープ梱包時は、アクチュエータがロックした状態とする。  
 IN THE PACKAGE,ACTUATOR OF PART NO.54550-\*\*17 SHOULD BE LOCKED.  
 △ソルダータール半田付け面のズレ量、及び金具半田付け面のズレ量は、基準面 [Z] に対し上方向 0MAX.、下方向 0.15MAX.とし 相互のバラツキ量は0.1MAX.とする。  
 MISALIGNMENT OF SOLDER TAILS AND FITTING NAILS FROM [Z] UPPER DIRECTION: 0 MAX., LOWER DIRECTION: 0.15 MAX. OFFSET BETWEEN UPPER AND LOWER 0.1 MAX.  
 △偶数個に適用。  
 APPLY FOR EVEN CIRCUIT.  
 △パターンはくり止め用金具  
 FITTING NAIL FOR PREVENTION OF PEELING OF P.C.B. PATTERN.

2. 本製品は 54550-\*\*17 の鉛フリー品である。  
 THIS PRODUCT IS LEAD FREE OF 54550-\*\*17.

FPC/FFCについて:

打抜き方向は導体側から補強板側を推奨いたします。  
 導体側については軟銅箔35マイクロメートルまたは50マイクロメートルを推奨いたします。

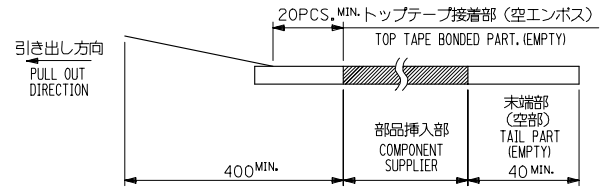
RECOMMENDED PUNCHER DIRECTION: FROM CONDUCTOR SIDE TO STIFFENER BOARD SIDE.  
 RECOMMENDED CONDUCTOR SPEC: THICKNESS OF SOFT COPPER FOIL : 35 MICROMETER or 50 MICROMETER

REVISED		GENERAL TOLERANCES (UNLESS SPECIFIED)		DIMENSION STYLE		SCALE		54550-**19		MODEL No.	
EC NO: J2008-4048		±0.2		MM ONLY		---		DESIGN UNITS		THIRD ANGLE PROJECTION	
DRAWN BY: M. NINOMIYA		±0.25		DATE: '03/12/22		METRIC		TITLE: 0.5 FPC CONN ZIF HOUSING ASSY SMT RA UPPER CONT -LEAD FREE-			
CHECKED BY: K. TOJO		±0.3		DATE: '03/12/22							
APPROVED BY: M. SASAO		ANGULAR ±3 °		DATE: '03/12/22		MOLEX INCORPORATED		SHEET NO. 2 OF 2			
MATERIAL NO. SEE SHEET 1		DRAFT WHERE APPLICABLE MUST REMAIN WITHIN DIMENSIONS		DOCUMENT NO. SD-54550-019							
SIZE: A3		THIS DRAWING CONTAINS INFORMATION THAT IS PROPRIETARY TO MOLEX INCORPORATED AND SHOULD NOT BE USED WITHOUT WRITTEN PERMISSION									

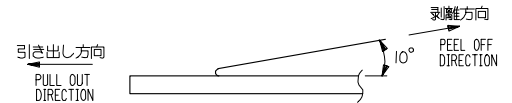
10 9 8 7 6 5 4 3 2 1

**NOTES**

- 製品詳細寸法については図面 54550-\*\*\*19 を参照下さい。  
RE DETAILED DIMENSION, SEE 54550-\*\*\*19
- 梱包数量: 3000個/リール  
NUMBER OF CONNECTORS: 3000PCS/REEL
- リードテープ長さ LEAD TAPE LENGTH

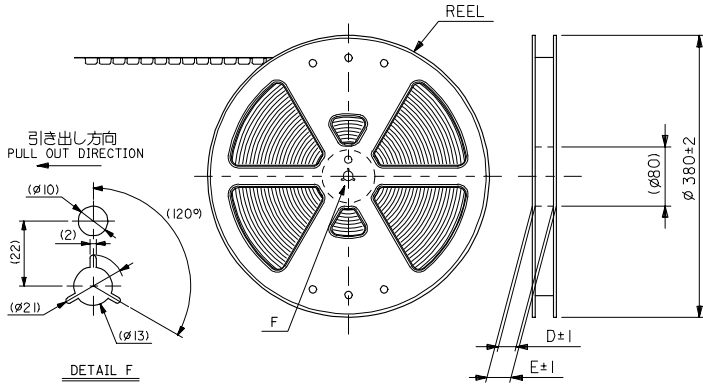


- トップテープの剥離強度: 0.1N ~ 1.3N (10gf ~ 130gf)  
(剥離方向は下図参照)  
尚、本規格値は出荷時に適用。(但し、輸送時に剥離が発生しないこと。)  
PEELING OFF FORCE OF TOP TAPE: 0.1N ~ 1.3N (10gf ~ 130gf)  
(PEELING DIRECTION AS SHOWN IN FOLLOWING FIG.)  
THIS REQUIREMENT SHOULD BE APPLIED AT SHIPMENT.  
PEEL OFF SHOULD NOT BE ALLOWED, DURING TRANSPORTATION.



- 材料 (MATERIAL)  
キャリアテープ (CARRIER TAPE): ポリプロピレン (POLYPROPYLENE)  
トップテープ (TOPTAPE): PET, PE, PEF  
リール (REEL): ポリスチレン (PS) <リサイクル材を含む>  
POLYSTYRENE(PS) <RECYCLE MATERIAL CONTAINED>

- 本製品は 54550-\*\*\*90 の鉛フリー品である。  
THIS PRODUCT IS LEAD FREE OF 54550-\*\*\*90.



REVISED EC NO: J2005-1954 DRAWN BY: DRW:HWBEI CHKD BY: TOJO APPR: NIKITA DATE: 2005/01/13 2005/01/14 2005/01/18	GENERAL TOLERANCES (UNLESS SPECIFIED)		DIMENSION STYLE MM ONLY	SCALE ---	54550-***94	MODEL No.
	10 UNDER	±0.2	DRAWN BY M. NINOMIYA	DATE '03/12/22	DESIGN UNITS METRIC	THIRD ANGLE PROJECTION
	10 OVER 30 UNDER	±0.25	CHECKED BY K. TOJO	DATE '03/12/22	0.5 FPC CONN ZIF HSG EMBSTP PKG -LEAD FREE-	
	30 OVER	±0.3	APPROVED BY M. SASAO	DATE '03/12/22	MOLEX INCORPORATED	
	ANGULAR	±3 °	MATERIAL NO. SEE CHART	DOCUMENT NO. SD-54550-020	SHEET NO. 1 OF 4	
	DRAFT WHERE APPLICABLE MUST REMAIN WITHIN DIMENSIONS		SIZE A3	THIS DRAWING CONTAINS INFORMATION THAT IS PROPRIETARY TO MOLEX INCORPORATED AND SHOULD NOT BE USED WITHOUT WRITTEN PERMISSION		

10 9 8 7 6 5 4 3 2 1

F

E

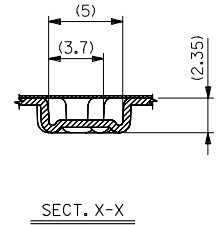
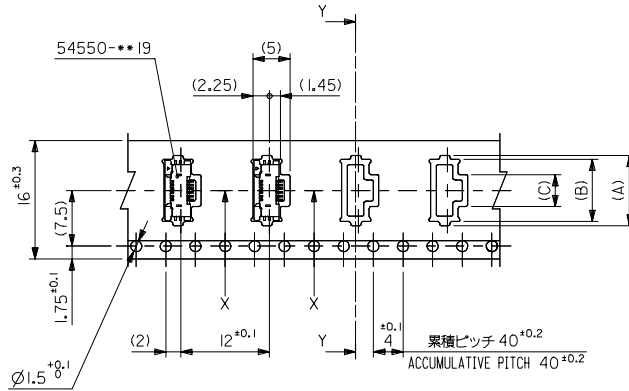
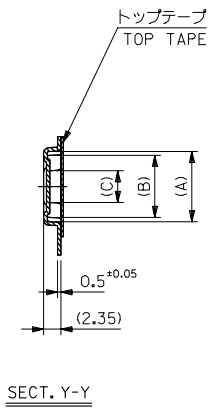
D

C

B

A

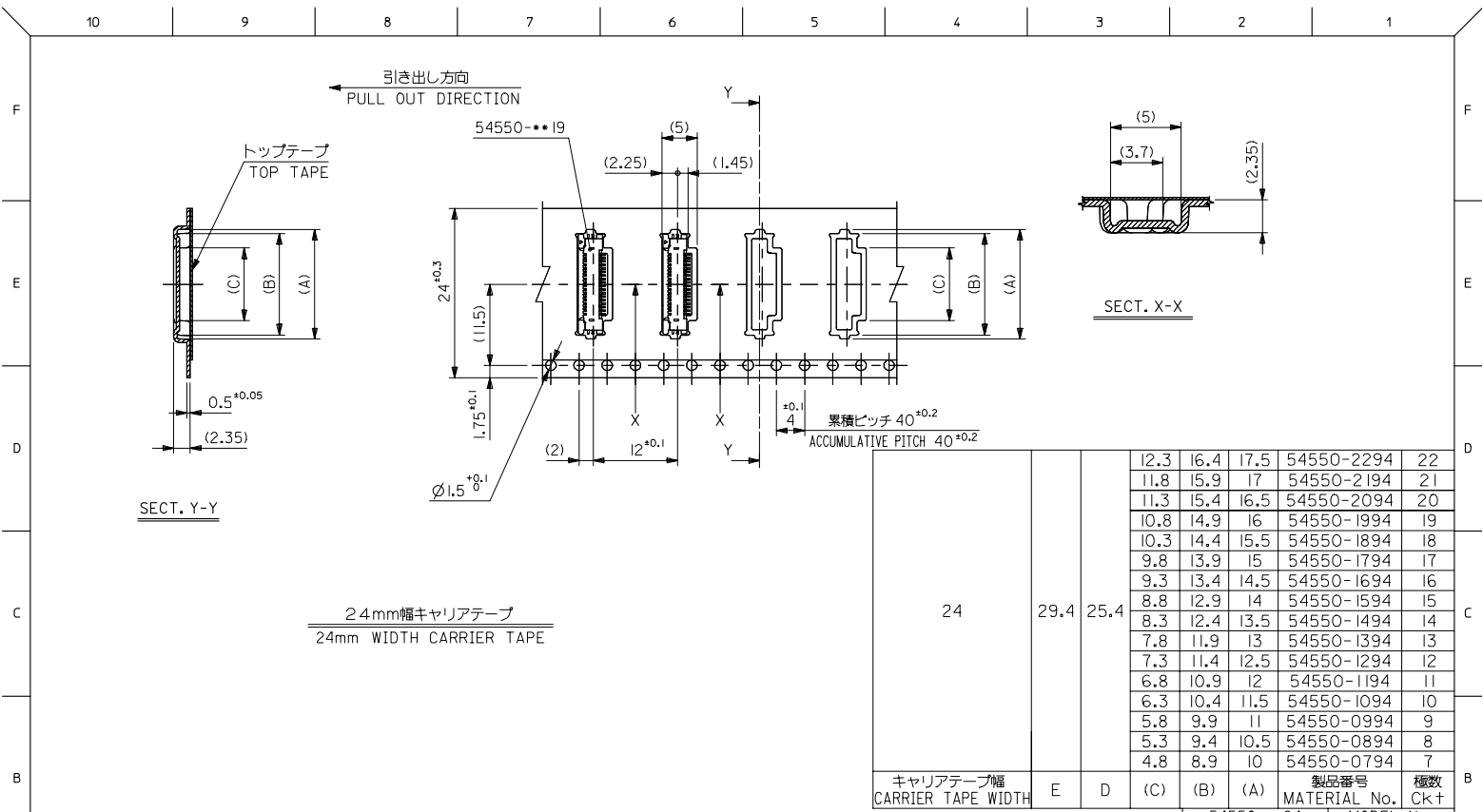
引き出し方向  
PULL OUT DIRECTION



16mm幅キャリアテープ  
16mm WIDTH CARRIER TAPE

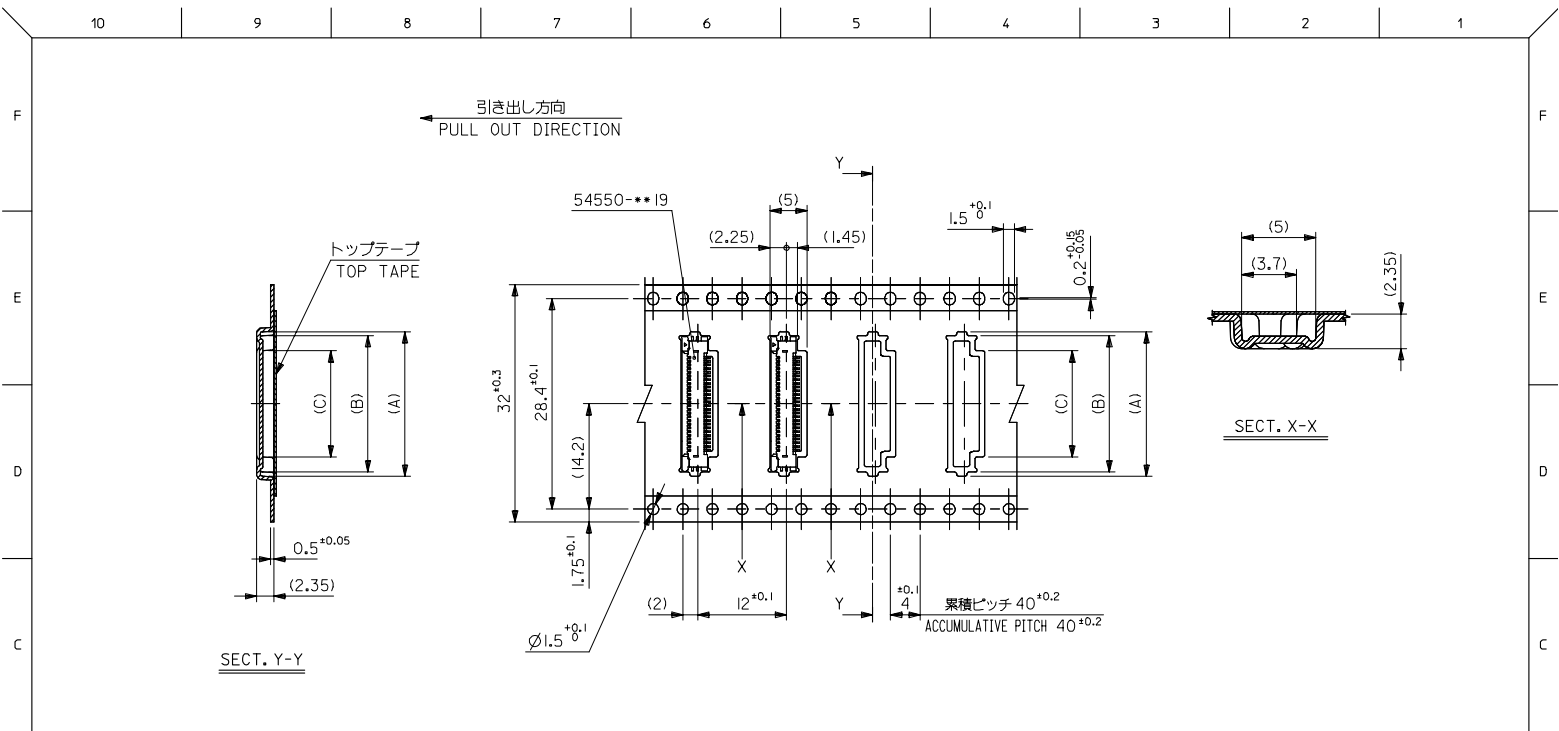
16	21.4	17.4	4.3	8.4	9.5	54550-0694	6	
			3.8	7.9	9	54550-0594	5	
			3.3	7.4	8.5	54550-0494	4	
キャリアテープ幅 CARRIER TAPE WIDTH		E	D	(C)	(B)	(A)	製品番号 MATERIAL No.	極数 CKT

REVISED EC NO: J2005-1954 DRAWN: MBEI 2005/01/13 CHKD: TOJO 2005/01/14 APPR: NIKITA 2005/01/18	GENERAL TOLERANCES (UNLESS SPECIFIED)	DIMENSION STYLE MM ONLY	SCALE ---	DESIGN UNITS METRIC	THIRD ANGLE PROJECTION
	10 UNDER ±0.2	DRAWN BY M. NINOMIYA	DATE '03/12/22	TITLE 0.5 FPC CONN ZIF HSG EMBSTP PKG -LEAD FREE-	
	10 OVER 30 UNDER ±0.25	CHECKED BY K. TOJO	DATE '03/12/22	MOLEX INCORPORATED	
	30 OVER ±0.3	APPROVED BY M. SASAO	DATE '03/12/22	MATERIAL NO. SD-54550-020	
ANGULAR ±3°	DRAFT WHERE APPLICABLE MUST REMAIN WITHIN DIMENSIONS	SIZE A3	THIS DRAWING CONTAINS INFORMATION THAT IS PROPRIETARY TO MOLEX INCORPORATED AND SHOULD NOT BE USED WITHOUT WRITTEN PERMISSION		SHEET NO. 2 OF 4



24	29.4	25.4	12.3	16.4	17.5	54550-2294	22	
			11.8	15.9	17	54550-2194	21	
			11.3	15.4	16.5	54550-2094	20	
			10.8	14.9	16	54550-1994	19	
			10.3	14.4	15.5	54550-1894	18	
			9.8	13.9	15	54550-1794	17	
			9.3	13.4	14.5	54550-1694	16	
			8.8	12.9	14	54550-1594	15	
			8.3	12.4	13.5	54550-1494	14	
			7.8	11.9	13	54550-1394	13	
			7.3	11.4	12.5	54550-1294	12	
			6.8	10.9	12	54550-1194	11	
			6.3	10.4	11.5	54550-1094	10	
5.8	9.9	11	54550-0994	9				
5.3	9.4	10.5	54550-0894	8				
4.8	8.9	10	54550-0794	7				
キャリアテープ幅 CARRIER TAPE WIDTH			E	D	(C)	(A)	製品番号 MATERIAL No.	極数 CK†

REVISED E.C. NO.: J2005-1954 DRAWN: MBEI 2005/01/13 CHECKED: TOJO 2005/01/14 APPROVED: NIKITA 2005/01/18 REVISION DESCRIPTION	GENERAL TOLERANCES (UNLESS SPECIFIED)		DIMENSION STYLE	SCALE	DESIGN UNITS	MODEL No.
	10 UNDER	± 0.2	MM ONLY	---	METRIC	54550-***94
	10 OVER 30 UNDER	± 0.25				
	30 OVER	± 0.3				
	ANGULAR	± 3°				
DRAFT WHERE APPLICABLE MUST REMAIN WITHIN DIMENSIONS			MATERIAL NO.	DOCUMENT NO.	SHEET NO.	
			SEE CHART	SD-54550-020	3 OF 4	
SIZE: THIS DRAWING CONTAINS INFORMATION THAT IS PROPRIETARY TO MOLEX INCORPORATED AND SHOULD NOT BE USED WITHOUT WRITTEN PERMISSION						



32mm幅キャリアテープ  
32mm WIDTH CARRIER TAPE

32	37.4	33.4	14.3	18.4	19.5	54550-2694	26
			13.8	17.9	19.0	54550-2594	25
			13.3	17.4	18.5	54550-2494	24
キャリアテープ幅 CARRIER TAPE WIDTH	E	D	(C)	(B)	(A)	製品番号 MATERIAL No.	極数 CK†
						54550-**-94	MODEL No.

REVISED EC NO: J2005-1954 DRAWN: MBEI 2005/01/13 CHKD: TOJO 2005/01/14 APPR: NIKITA 2005/01/18	GENERAL TOLERANCES (UNLESS SPECIFIED)		DIMENSION STYLE MM ONLY	SCALE ---	DESIGN UNITS METRIC	THIRD ANGLE PROJECTION
	10 UNDER	±0.2	DRAWN BY M. NINOMIYA	DATE '03/12/22	TITLE 0.5 FPC CONN ZIF HSG EMBSTP PKG -LEAD FREE-	
	10 OVER 30 UNDER	±0.25	CHECKED BY K. TOJO	DATE '03/12/22		
	30 OVER	±0.3	APPROVED BY M. SASAO	DATE '03/12/22	MOLEX INCORPORATED	
ANGULAR	±3°	MATERIAL NO. SEE CHART	DOCUMENT NO. SD-54550-020	SHEET NO. 4 OF 4		
DRAFT WHERE APPLICABLE MUST REMAIN WITHIN DIMENSIONS		SIZE A3 THIS DRAWING CONTAINS INFORMATION THAT IS PROPRIETARY TO MOLEX INCORPORATED AND SHOULD NOT BE USED WITHOUT WRITTEN PERMISSION				