

Excellent Integrated System Limited

Stocking Distributor

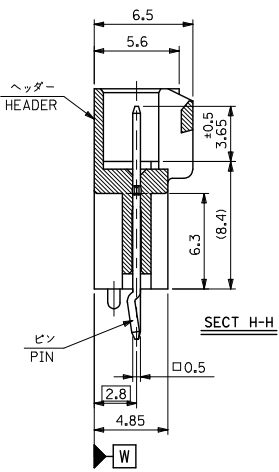
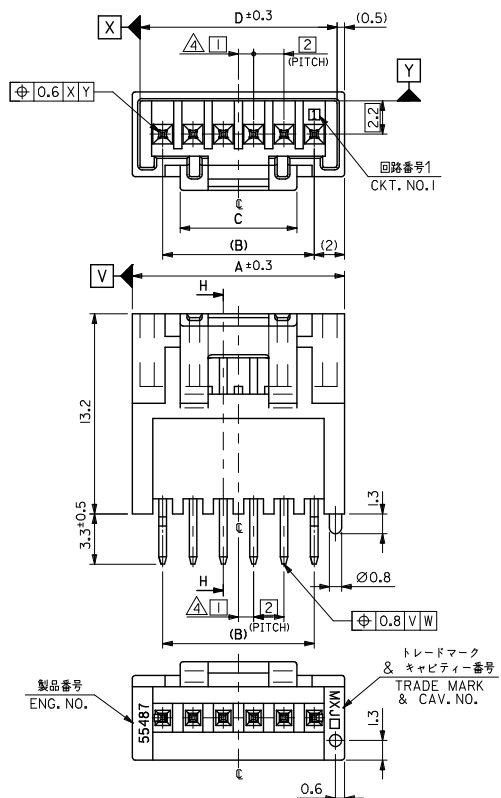
Click to view price, real time Inventory, Delivery & Lifecycle Information:

[Molex Connector Corporation](#)
[0554870619](#)

For any questions, you can email us directly:

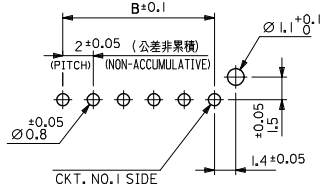
sales@integrated-circuit.com

10 9 8 7 6 5 4 3 2 1



注記
NOTE

1. 材料 MATERIAL
ピン : 黄銅、銅下地鍍メッキ
PIN : BRASS, Sn OVER Cu PLATED
ヘッダー : 66ナイロン (ガラス入り : 25%), UL94V-0
(色 : 自然色 又は 染色)
HEADER : NYLON66 (G.F. : 25%), UL94V-0
(COLOR : NATURAL OR DYED COLOR)
2. 嵌合相手 : 51216シリーズ
MATE WITH : 51216 SERIES
3. ソルダールキックは、両端のピンのみとする。
KINK TO BE APPLIED FOR 2 PINS AT BOTH ENDS.
- △ 偶数極に適用。
APPLY EVEN CIRCUIT PRODUCTS.
5. 本製品は 55487-**-**10/-**-**12/-**-**13/**-**14/**-**16 の鉛フリー品である。
THIS PRODUCT IS LEAD FREE OF 55487-**-**10/-**-**12/-**-**13/**-**14/-**-**16.
6. ELV及びRoHS適合品
ELV AND RoHS COMPLIANT

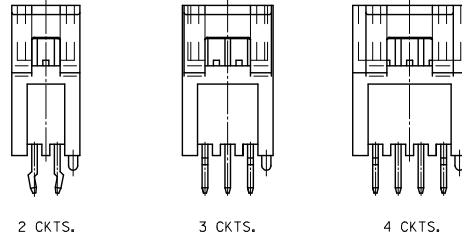
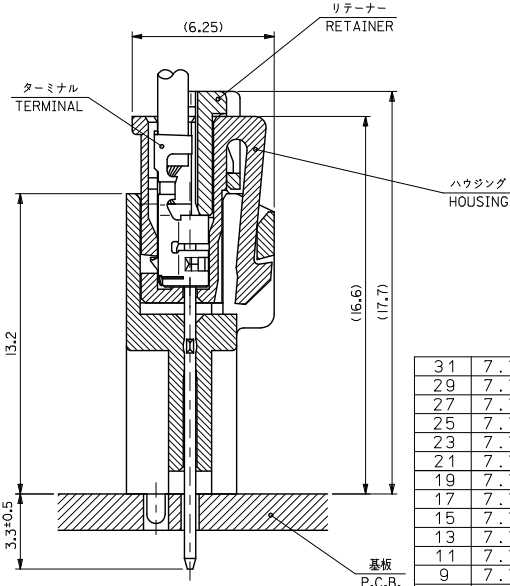


基板取付穴推奨寸法 (マウント面)
RECOMMENDED P.C.BOARD
HOLE DIMENSION
(MOUNTING SIDE)
(T=1.6)

REVISED EC NO. J2015-0174 DRAWN: YMAE 2014/08/04 CHKD: KAKAWA 2014/08/04 APPR: UKITA 2014/08/05	GENERAL TOLERANCES (UNLESS SPECIFIED)		DIMENSION STYLE	SCALE	DESIGN UNITS	THIRD ANGLE PROJECTION
			MM ONLY	4:1	METRIC	
	10 UNDER	± 0.2	DRAWN BY	DATE	TITLE	2.0 MM W TO B CONN. HEADER ASS'Y (ST.)
	10 OVER 30 UNDER	± 0.25	M. NABEI	'05/05/20		
30 OVER	± 0.3	CHECKED BY	DATE			
ANGULAR	± 3 °	K. TOJO	'05/05/20	APPROVED BY	DATE	
DRAFT WHERE APPLICABLE MUST REMAIN WITHIN DIMENSIONS		MATERIAL NO.		SEE CHART	DOCUMENT NO.	
		SIZE	THIS DRAWING CONTAINS INFORMATION THAT IS PROPRIETARY TO MOLEX INCORPORATED AND SHOULD NOT BE USED WITHOUT WRITTEN PERMISSION			
					SD-55487-007	SHEET NO. 1 OF 2

9 8 7 6 5 4 3 2 1

10 9 8 7 6 5 4 3 2 1



極数レイアウト図
LAYOUT OF EACH CKTS.

嵌合断面図 (参考)
LAYOUT OF EACH CKTS.

31	7.7	28	32	55487-1526		55487-1523	55487-1522	55487-1519	15	
29	7.7	26	30	55487-1426		55487-1423	55487-1422	55487-1419	14	
27	7.7	24	28					55487-1319	13	
25	7.7	22	26	55487-1226		55487-1223	55487-1222	55487-1219	12	
23	7.7	20	24					55487-1119	11	
21	7.7	18	22	55487-1026	55487-1024	55487-1023	55487-1022	55487-1019	10	
19	7.7	16	20	55487-0926		55487-0923	55487-0922	55487-0919	9	
17	7.7	14	18	55487-0826		55487-0823	55487-0822	55487-0819	8	
15	7.7	12	16					55487-0719	7	
13	7.7	10	14					55487-0619	6	
11	7.7	8	12	55487-0526		55487-0523	55487-0522	55487-0519	5	
9	7.7	6	10					55487-0419	4	
7	7.7	4	8					55487-0319	3	
5	6	2	6	55487-0226	55487-0224	55487-0223		55487-0219	2	
				COLOR : GREEN 色 : 緑	COLOR : BLUE 色 : 青	COLOR : YELLOW 色 : 黄	COLOR : RED 色 : 赤	COLOR : WHITE 色 : 白	CKT 極数	
D	C	B	A	TRAY PACKAGE オーダー番号 ORDER NO. CONNECTOR SERIES NO. 55487-****						

SEE SHEET 1 EC NO. J2015-0174 DRAWN: YMAE 2014/08/04 CHKD: KASAKAWA 2014/08/04 APPR: UKITA 2014/08/05	GENERAL TOLERANCES (UNLESS SPECIFIED)	DIMENSION STYLE MM ONLY	SCALE ---	DESIGN UNITS METRIC	THIRD ANGLE PROJECTION
	10 UNDER ±0.2	DRAWN BY M. NABEI	DATE '05/05/20	TITLE 2.0 MM W TO B CONN. HEADER ASS'Y (ST.)	
	10 OVER 30 UNDER ±0.25	CHECKED BY K. TOJO	DATE '05/05/20		
	30 OVER ±0.3	APPROVED BY N. UKITA	DATE '05/05/20		
ANGULAR ±3 °	MATERIAL NO. SEE SHEET 1		DOCUMENT NO. SD-55487-007	SHEET NO. 2 OF 2	
DRAFT WHERE APPLICABLE MUST REMAIN WITHIN DIMENSIONS		THIS DRAWING CONTAINS INFORMATION THAT IS PROPRIETARY TO MOLEX INCORPORATED AND SHOULD NOT BE USED WITHOUT WRITTEN PERMISSION			

9 8 7 6 5 4 3 2