

## Excellent Integrated System Limited

Stocking Distributor

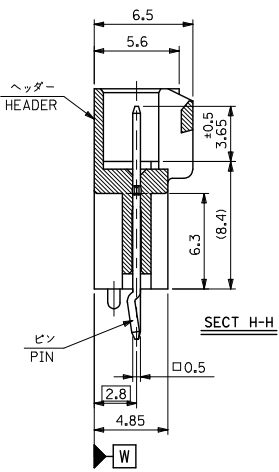
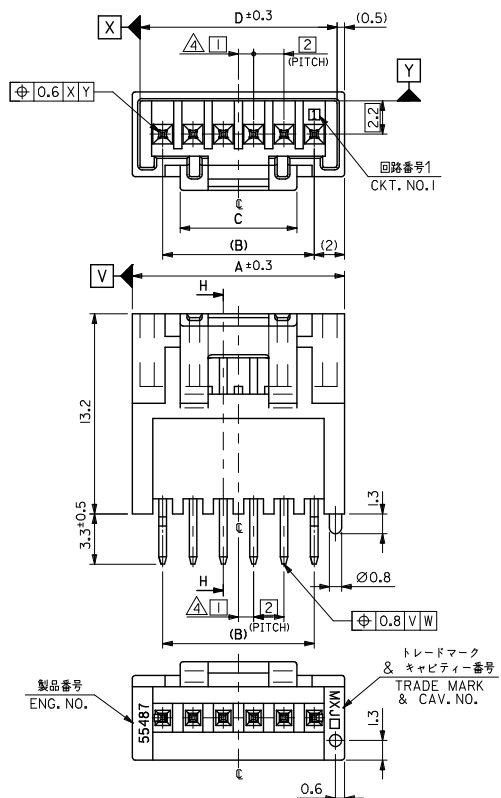
Click to view price, real time Inventory, Delivery & Lifecycle Information:

[Molex Connector Corporation](#)  
[0554871419](#)

For any questions, you can email us directly:

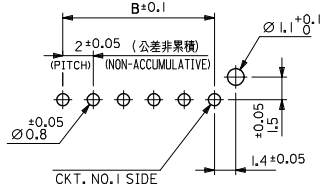
[sales@integrated-circuit.com](mailto:sales@integrated-circuit.com)

10 9 8 7 6 5 4 3 2 1



**注記**  
**NOTE**

1. 材料 MATERIAL  
ピン : 黄銅、銅下地鍍メッキ  
PIN : BRASS, Sn OVER Cu PLATED  
ヘッダー : 66ナイロン ( ガラス入り : 25% ), UL94V-0  
( 色 : 自然色 又は 染色 )  
HEADER : NYLON66 ( G.F. : 25% ), UL94V-0  
( COLOR : NATURAL OR DYED COLOR )
2. 嵌合相手 : 51216シリーズ  
MATE WITH : 51216 SERIES
3. ソルダールキンは、両端のピンのみとする。  
KINK TO BE APPLIED FOR 2 PINS AT BOTH ENDS.
- △ 偶数極に適用。  
APPLY EVEN CIRCUIT PRODUCTS.
5. 本製品は 55487-\*\*-\*\*10/-\*\*-\*\*12/-\*\*-\*\*13/\*\*-\*\*14/\*\*-\*\*16 の鉛フリー品である。  
THIS PRODUCT IS LEAD FREE OF 55487-\*\*-\*\*10/-\*\*-\*\*12/-\*\*-\*\*13/\*\*-\*\*14/\*\*-\*\*16.
6. ELV及びRoHS適合品  
ELV AND RoHS COMPLIANT

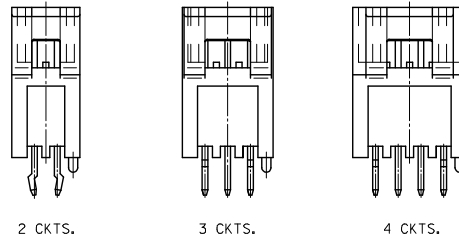
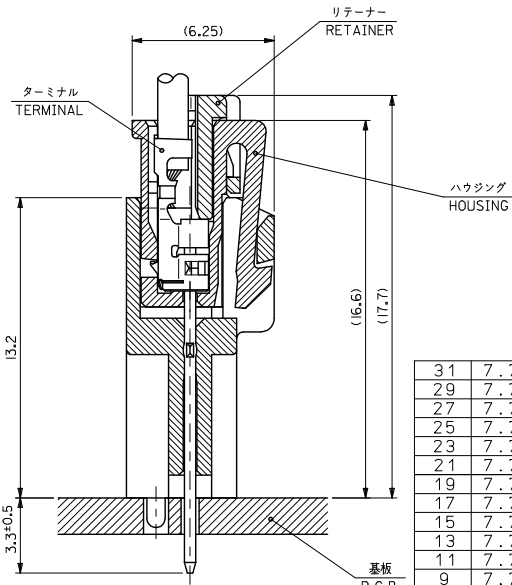


基板取付穴推奨寸法 (マウント面)  
RECOMMENDED P.C.BOARD  
HOLE DIMENSION  
(MOUNTING SIDE)  
(T=1.6)

REVISED EC NO. J2015-0174 2014/08/04 DRWN:YMAE CHKD:KAKAWA APPR:UKITA 2014/08/04 2014/08/05	GENERAL TOLERANCES (UNLESS SPECIFIED)		DIMENSION STYLE MM ONLY	SCALE 4:1	DESIGN UNITS METRIC	THIRD ANGLE PROJECTION
	10 UNDER	± 0.2	DRAWN BY M. NABEI	DATE '05/05/20	TITLE 2.0 MM W TO B CONN. HEADER ASS'Y (ST.)	
	10 OVER 30 UNDER	± 0.25	CHECKED BY K. TOJO	DATE '05/05/20		
	30 OVER	± 0.3	APPROVED BY N. UKITA	DATE '05/05/20		
ANGULAR ±3 °		MATERIAL NO.		DOCUMENT NO.		SHEET NO.
DRAFT WHERE APPLICABLE MUST REMAIN WITHIN DIMENSIONS		SEE CHART		SD-55487-007		1 OF 2
THIS DRAWING CONTAINS INFORMATION THAT IS PROPRIETARY TO MOLEX INCORPORATED AND SHOULD NOT BE USED WITHOUT WRITTEN PERMISSION						

9 8 7 6 5 4 3 2 1

10 9 8 7 6 5 4 3 2 1



極数レイアウト図  
LAYOUT OF EACH CKTS.

31	7.7	28	32	55487-1526		55487-1523	55487-1522	55487-1519	15	
29	7.7	26	30	55487-1426		55487-1423	55487-1422	55487-1419	14	
27	7.7	24	28					55487-1319	13	
25	7.7	22	26	55487-1226		55487-1223	55487-1222	55487-1219	12	
23	7.7	20	24					55487-1119	11	
21	7.7	18	22	55487-1026	55487-1024	55487-1023	55487-1022	55487-1019	10	
19	7.7	16	20	55487-0926		55487-0923	55487-0922	55487-0919	9	
17	7.7	14	18	55487-0826		55487-0823	55487-0822	55487-0819	8	
15	7.7	12	16					55487-0719	7	
13	7.7	10	14					55487-0619	6	
11	7.7	8	12	55487-0526		55487-0523	55487-0522	55487-0519	5	
9	7.7	6	10					55487-0419	4	
7	7.7	4	8					55487-0319	3	
5	6	2	6	55487-0226	55487-0224	55487-0223		55487-0219	2	
				COLOR : GREEN 色 : 緑	COLOR : BLUE 色 : 青	COLOR : YELLOW 色 : 黄	COLOR : RED 色 : 赤	COLOR : WHITE 色 : 白	CKT 極数	
D	C	B	A	TRAY PACKAGE オーダー番号 ORDER NO. CONNECTOR SERIES NO. 55487-****						

SEE SHEET 1 EC NO. J2015-0174 DRAWN: YMAE 2014/08/04 CHKD: KASAKAWA 2014/08/04 APPR: UKITA 2014/08/05	GENERAL TOLERANCES (UNLESS SPECIFIED)		DIMENSION STYLE	SCALE	DESIGN UNITS	THIRD ANGLE PROJECTION
			MM ONLY	---	METRIC	
	10 UNDER	±0.2	DRAWN BY	DATE	TITLE	
	10 OVER 30 UNDER	±0.25	M. NABEI	'05/05/20	2.0 MM W TO B CONN. HEADER ASS'Y (ST.)	
30 OVER	±0.3	CHECKED BY	DATE	molex		
ANGULAR	±3 °	K. TOJO	'05/05/20	SD-55487-007		
DRAFT WHERE APPLICABLE MUST REMAIN WITHIN DIMENSIONS		APPROVED BY	DATE	MATERIAL NO.	DOCUMENT NO.	SHEET NO.
		N. UKITA	'05/05/20	SEE SHEET 1	SD-55487-007	2 OF 2
SIZE A3 THIS DRAWING CONTAINS INFORMATION THAT IS PROPRIETARY TO MOLEX INCORPORATED AND SHOULD NOT BE USED WITHOUT WRITTEN PERMISSION						

9 8 7 6 5 4 3 2