

Excellent Integrated System Limited

Stocking Distributor

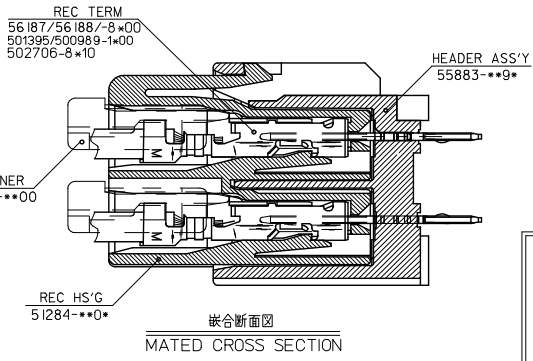
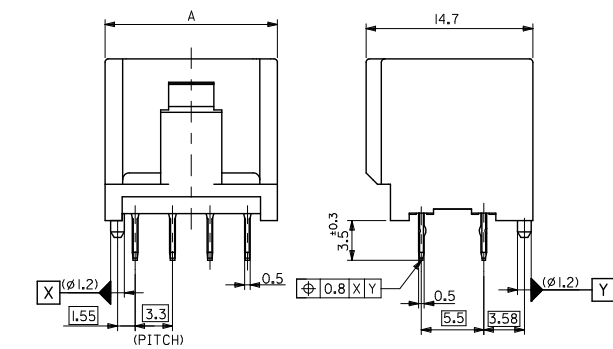
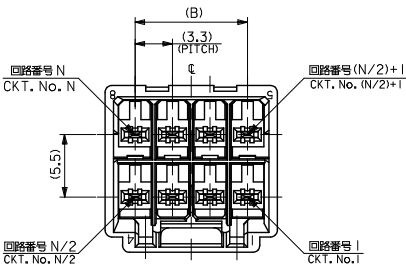
Click to view price, real time Inventory, Delivery & Lifecycle Information:

[Molex Connector Corporation](#)
[0558830290](#)

For any questions, you can email us directly:

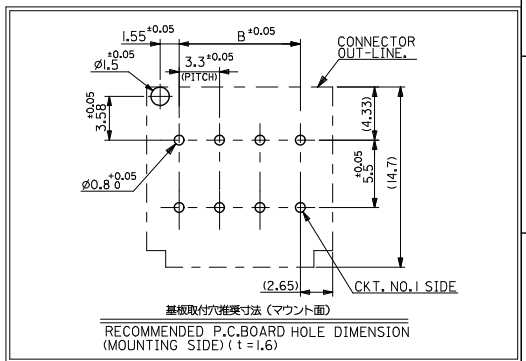
sales@integrated-circuit.com

本図は2列品を示す
DUAL ROW ASS'Y



注記
NOTES

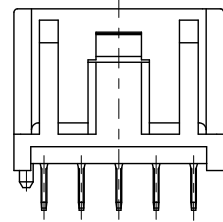
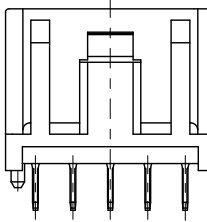
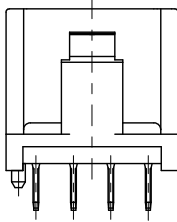
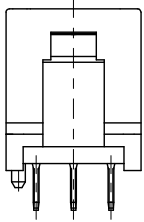
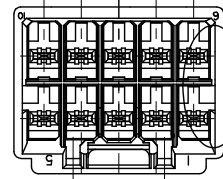
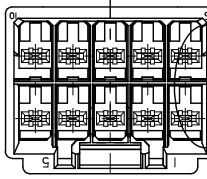
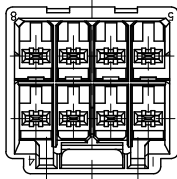
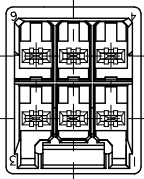
1. 材料
MATERIAL
ピン : 黄銅, ニッケル下地鍍メッキ
PIN : BRASS, TIN OVER NICKEL PLATED
ヘッダー : ポリアミド (PA), ガラス充填 UL94V-0
HEADER : POLYAMIDE(PA)-GLASS FILLED-UL94V-0
2. 嵌合相手
MATE WITH
KINK TO BE APPLIED FOR 4 PINS AT BOTH ENDS.
3. ソルダークールキープは、両端のピンのみとする。
4. 極性用溝
PALARIZING KEY
5. ELV及びRoHS 適合品
ELV AND RoHS COMPLIANT



LOCK SIDE	BLACK	13.2	18.5	55883-1091	10
OPPOSITE SIDE OF LOCK	NATURAL (IVORY)			-1090	
	RED	9.9	15.2	-0892	8
	NATURAL (IVORY)			-0890	
MATING KEY POSITION (SEE SHEET 2 OF 3)	NATURAL (IVORY)	6.6	11.9	-0690	6
	COLOR	B	A	TRAY PACKAGE オーダー番号 ORDER NO. CIRCUITS	極数

REVISED EC NO. J2010-0432 DRAWN BY DR. WAKAYOSHIKAWA 2009/09/14 CHKD. ASAKAWA 2009/09/14 APPR. NUKITA 2009/09/15	GENERAL TOLERANCES (UNLESS SPECIFIED)	DIMENSION STYLE MM ONLY	SCALE ---	DESIGN UNITS METRIC	CONNECTOR SERIES No. 55883-**9*	THIRD ANGLE PROJECTION
	10 UNDER ±0.2	DRAWN BY J. KUGOU	DATE '04/02/12	TITLE 3.3 WIRE TO BOARD CONN. HEADER ASS'Y	MOLEX INCORPORATED	
	10 OVER 30 UNDER ±0.25	CHECKED BY M. SASAO	DATE '04/02/12			
	30 OVER ±0.3	APPROVED BY M. SASAO	DATE '04/02/12		MATERIAL NO. SD-55883-010	SHEET NO. 1 OF 3
	ANGULAR ±3°	DRAFT WHERE APPLICABLE MUST REMAIN WITHIN DIMENSIONS			SEE CHART	
THIS DRAWING CONTAINS INFORMATION THAT IS PROPRIETARY TO MOLEX INCORPORATED AND SHOULD NOT BE USED WITHOUT WRITTEN PERMISSION						

本図は2列品を示す
DUAL ROW ASS'Y



SHAPE OF
55883-0690
HEADER COLOR:NATURAL

SHAPE OF
55883-0890
HEADER COLOR:NATURAL
55883-0892
HEADER COLOR:RED

SHAPE OF
55883-1090
HEADER COLOR:NATURAL

SHAPE OF
55883-1091
HEADER COLOR:BLACK

MATING KEY POSITION:OPPOSITE SIDE OF LOCK

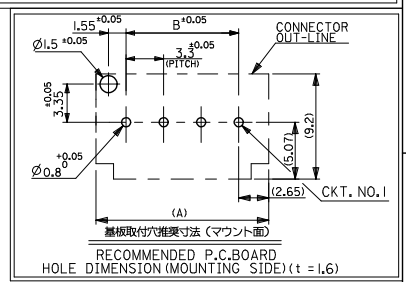
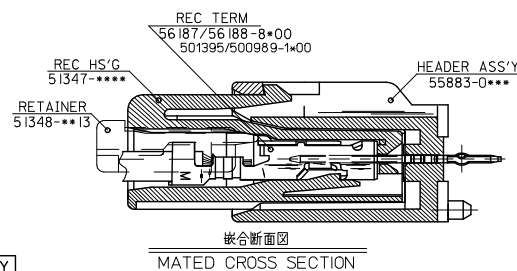
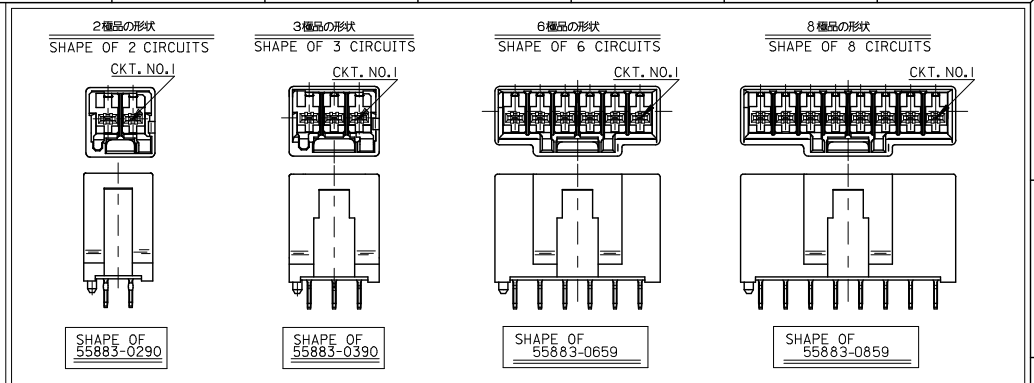
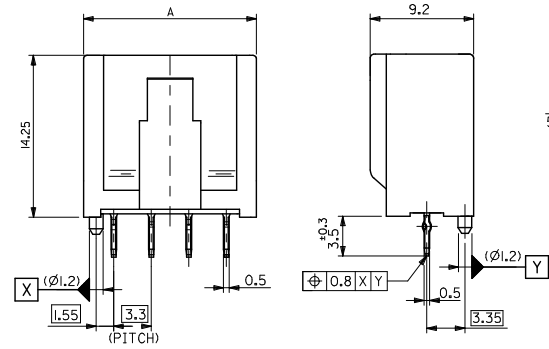
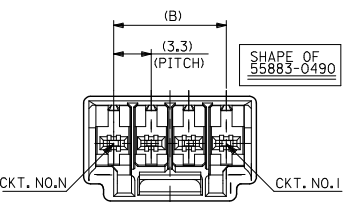
MATING KEY POSITION:LOCK SIDE

極数レイアウト図
LAYOUT OF EACH CIRCUITS

REVISED EC NO: J2010-0432 DRAWN YOSHIKAWA 2009/09/11 CHKD:K ASAKAWA 2009/09/14 APP:R.NUKITA 2009/09/15 REV D	GENERAL TOLERANCES (UNLESS SPECIFIED)		DIMENSION STYLE MM ONLY	SCALE ---	DESIGN UNITS METRIC	THIRD ANGLE PROJECTION
	10 UNDER	±0.2	DRAWN BY J.KUGOU	DATE '04/02/12	TITLE 3.3 WIRE TO BOARD CONN. HEADER ASS'Y	
	10 OVER 30 UNDER	±0.25	CHECKED BY M.SASAO	DATE '04/02/12	MATERIAL NO. SEE SHEET 1	
	30 OVER	±0.3	APPROVED BY M.SASAO	DATE '04/02/12	DOCUMENT NO. SD-55883-010	
ANGULAR ±3°		DRAFT WHERE APPLICABLE MUST REMAIN WITHIN DIMENSIONS		MATERIAL NO. SEE SHEET 1		SHEET NO. 2 OF 3
THIS DRAWING CONTAINS INFORMATION THAT IS PROPRIETARY TO MOLEX INCORPORATED AND SHOULD NOT BE USED WITHOUT WRITTEN PERMISSION						

10 9 8 7 6 5 4 3 2 1

本図は1列品を示す
SINGLE ROW ASS'Y



注記 NOTES

- 材料 MATERIAL
 ピン : 黄銅、ニッケル下地鍍メッキ
 PIN : BRASS, TIN OVER NICKEL PLATED
 ヘッダー : ポリアミド (PA)、ガラス充填 UL94V-0
 HEADER : POLYAMIDE(PA), GLASS FILLED, UL94V-0
- 嵌合相手 MATE WITH
 : 51347-****
- ELV及びRoHS 適合品
 ELV AND RoHS COMPLIANT

NATURAL (IVORY)	23.1	28.4	55883-0859	8
	16.5	21.8	55883-0659	6
	9.9	15.2	55883-0490	4
	6.6	11.9	55883-0390	3
	3.3	9.1	55883-0290	2
COLOR	B	A	TRAY PACKAGE 板数 オーダー番号 ORDER NO. (CIRCUITS)	

REVISED EC NO. J2010-0432 DRAWN BY DR. WAKAYOSHI KAWA 2009/09/14 CHKD BY CHIKDK ASAKAWA 2009/09/14 APPR. BY APPR. NIKITA 2009/09/15	GENERAL TOLERANCES (UNLESS SPECIFIED)		DIMENSION STYLE MM ONLY	SCALE ---	CONNECTOR SERIES No. 55883-0***
	10 UNDER	± 0.2	DRAWN BY J. KUGOU	DATE '04/02/12	TITLE 3.3 WIRE TO BOARD CONN. HEADER ASS'Y
	10 OVER 30 UNDER	± 0.25	CHECKED BY M. SASAO	DATE '04/02/12	
	30 OVER	± 0.3	APPROVED BY M. SASAO	DATE '04/02/12	
	ANGULAR ± 3 °	DRAFT WHERE APPLICABLE MUST REMAIN WITHIN DIMENSIONS		SEE CHART	MOLEX INCORPORATED
					DOCUMENT NO. SD-55883-010
					SHEET NO. 3 OF 3